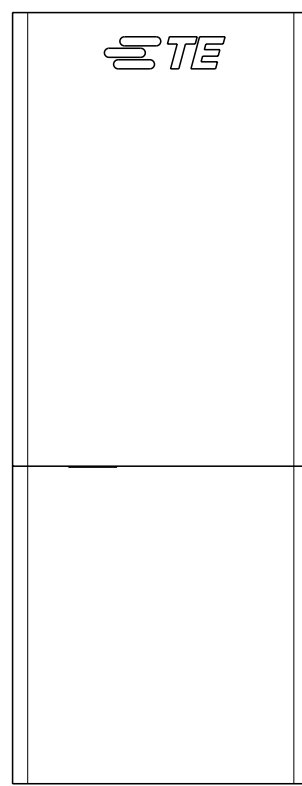
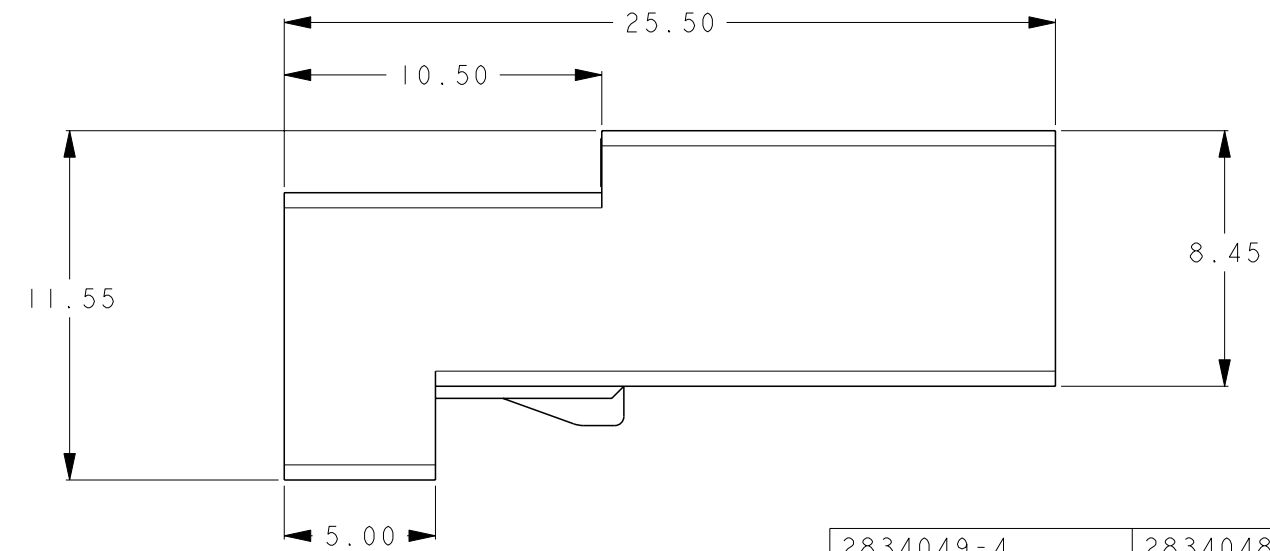
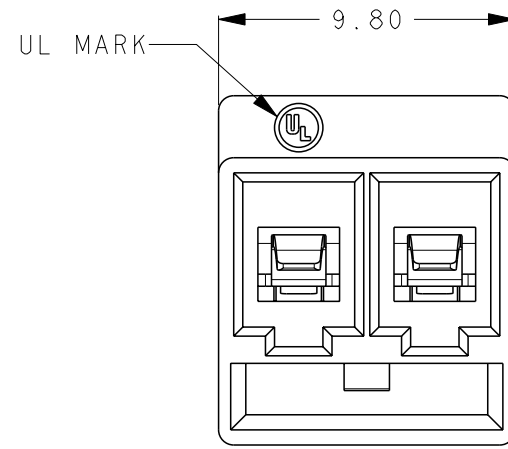
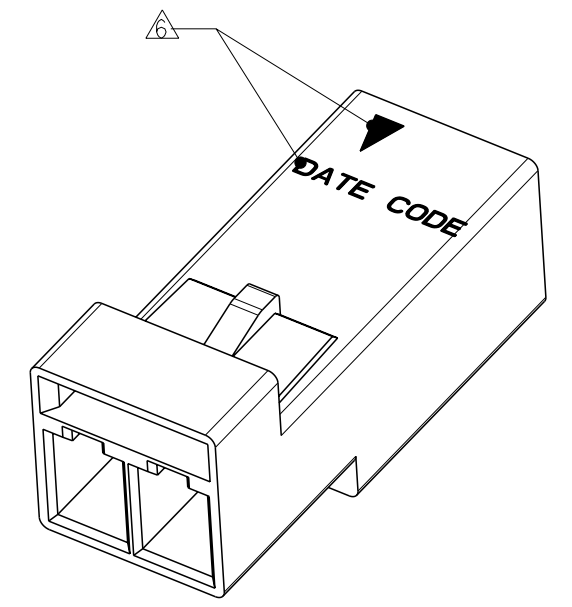
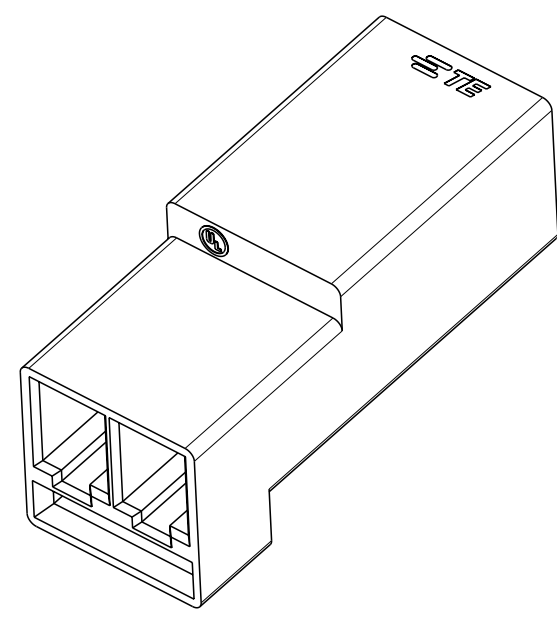


THIS DRAWING IS UNPUBLISHED. RELEASED FOR PUBLICATION 20
 © COPYRIGHT 20 BY - ALL RIGHTS RESERVED.

P	LTR	DESCRIPTION	DATE	DWN	APVD
	A	INITIAL RELEASE	6JUN2016	Z.W	X.X
	B	ECR-18-009987	16JUL2018	Z.W	S.M
	BI	ECR-21-104905	11JUN2021	F.F	M.S



DATE CODE
 YY WW X
 ↑ ↑ ↑
 YY=YEAR
 EX: 15=2015
 WW=WEEK
 EX: 12=12
 X=DAY
 EX: 5=5



NOTE:
 1. PART NUMBER: SEE TABLE.
 2. MATERIAL:
 TERMINAL: COPPER ALLOY
 HOUSING: THERMOPLASTIC,UL94-V0.
 3. FINISH
 TERMINAL: TIN PLATING OVERALL.
 4. PACKAGING: PLASTIC BAG.
 5. APPLICABLE WIRE:
 SOLID: 18-22AWG.
 STRANDED WIRE: 16-20 AWG(26 STRANDS MAX. FOR 16 AWG
 16 STRANDS MAX. FOR 18AWG, 7 STRANDS MAX. FOR 20AWG.
 (14AWG: 7 STRANDS,16 AWG: 26 STRANDS, 18AWG:16STRANDS)
 6 MARK APPROXIMATION LOCATION.

AS SHOWN: 2834049-1/2/3/4

2834049-4	2834048-4	RED
2834049-3	2834048-3	ORANGE
2834049-2	2834048-2	BLACK
2834049-1	2834048-1	NATURAL
PART NUMBER	MATING SIDE P/N	PART COLOR

THIS DRAWING IS A CONTROLLED DOCUMENT.		DWN	11JUN2021	TE Connectivity NAME 2 PIN LATCHED WIRE TO WIRE CONNECTOR PLUG ASSEMBLY			
DIMENSIONS: mm		CHK	11JUN2021				
TOLERANCES UNLESS OTHERWISE SPECIFIED: ±0.50		APVD	11JUN2021				
0-PLC ± 1-PLC ± 2-PLC ± 3-PLC ± 4-PLC ± ANGLES ±1°		PRODUCT SPEC	108-137159				
MATERIAL	FINISH	APPLICATION SPEC	114-137159	SIZE	CAGE CODE	DRAWING NO	RESTRICTED TO
-	-	WEIGHT	1.65g	A300779	C-2834049		
CUSTOMER DRAWING		SCALE	2:1	SHEET	1 OF 6	REV	BI

printed on 1 Jun 2021 09:40 (China Standard Time) from TE310617

THIS DRAWING IS UNPUBLISHED.

RELEASED FOR PUBLICATION

20

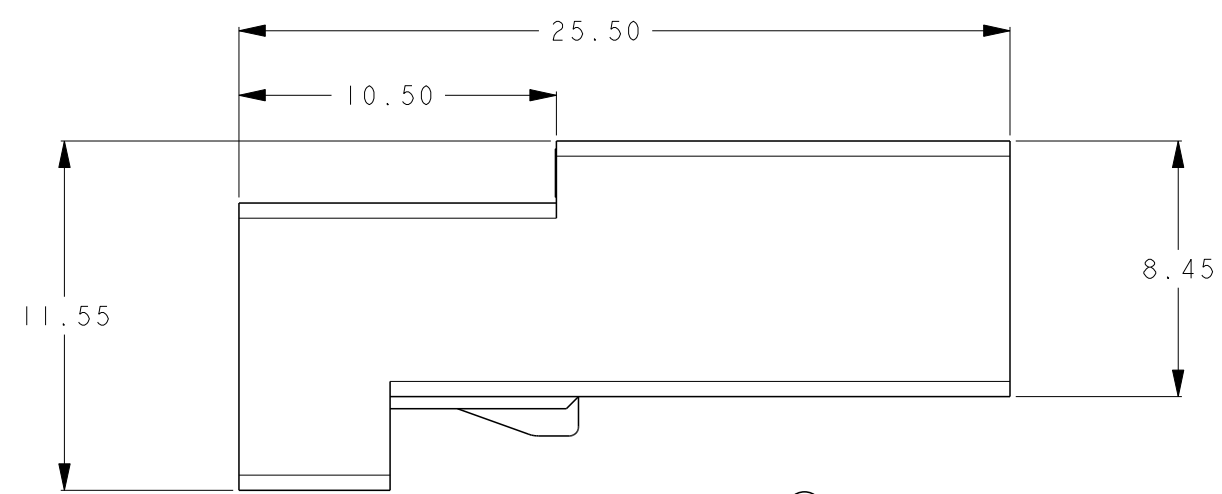
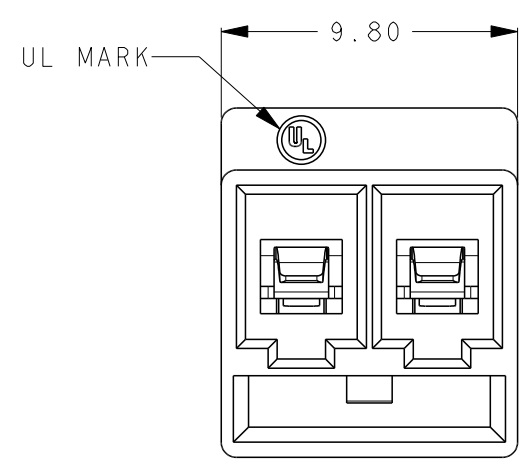
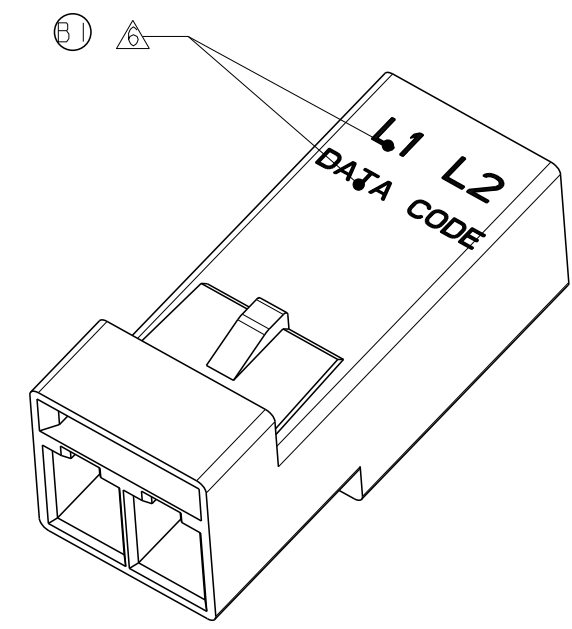
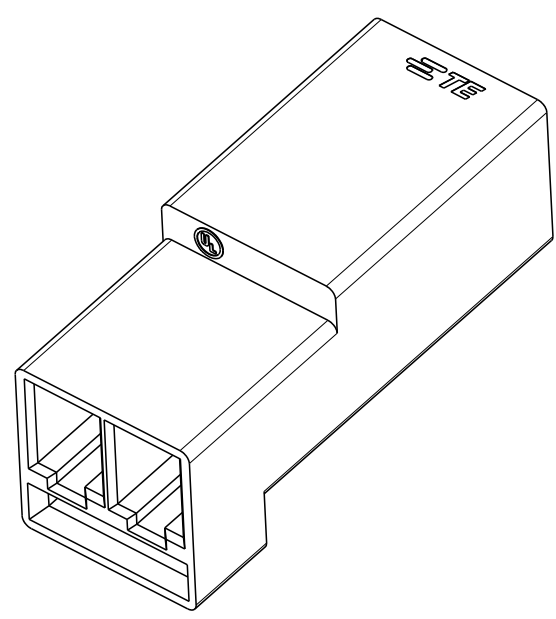
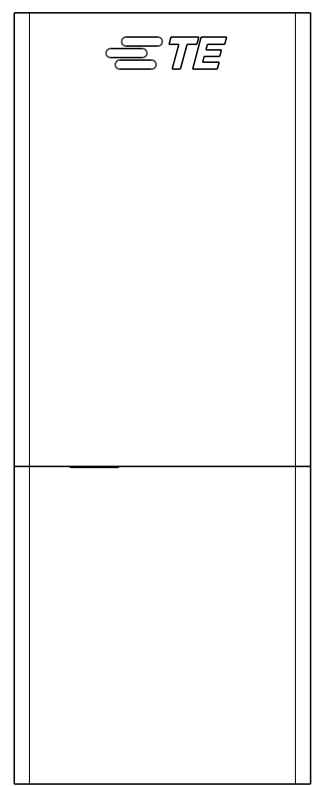
© COPYRIGHT 20 BY -

ALL RIGHTS RESERVED.

REVISIONS

P	LTR	DESCRIPTION	DATE	DWN	APVD
		SEE SHEET 1			

DATE CODE
 YY WW X
 ↑ ↑ ↑
 YY=YEAR
 EX: 15=2015
 WW=WEEK
 EX: 12=12
 X=DAY
 EX: 5=5



- NOTE:
- PART NUMBER: SEE TABLE.
 - MATERIAL:
 TERMINAL: COPPER ALLOY
 HOUSING: THERMOPLASTIC, UL94-V0.
 - FINISH
 TERMINAL: TIN PLATING OVERALL.
 - PACKAGING: PLASTIC BAG.
 - APPLICABLE WIRE:
 SOLID: 18-22AWG.
 STRANDED WIRE: 16-20 AWG(26 STRANDS MAX. FOR 16 AWG
 16 STRANDS MAX. FOR 18AWG, 7 STRANDS MAX. FOR 20AWG.
 (14AWG: 7 STRANDS, 16 AWG: 26 STRANDS, 18AWG:16STRANDS)
- ⚠ MARK APPROXIMATION LOCATION.

AS SHOWN: 4 - 2834049 - 1 / 2 / 3 / 4

4-2834049-4	1-2834048-4	RED
4-2834049-3	1-2834048-3	ORANGE
4-2834049-2	1-2834048-2	BLACK
4-2834049-1	1-2834048-1	NATURAL
PART NUMBER	MATING SIDE P/N	PART COLOR

THIS DRAWING IS A CONTROLLED DOCUMENT.		DWN FRANK FAN 11 JUN 2021	TE Connectivity													
DIMENSIONS: mm		CHK GEORGE FU 11 JUN 2021														
TOLERANCES UNLESS OTHERWISE SPECIFIED: ± 0.50		APVD MING SHI 11 JUN 2021	NAME 2 PIN LATCHED WIRE TO WIRE CONNECTOR PLUG ASSEMBLY													
<table border="1"> <tr><td>0-PLC</td><td>±</td></tr> <tr><td>1-PLC</td><td>±</td></tr> <tr><td>2-PLC</td><td>±</td></tr> <tr><td>3-PLC</td><td>±</td></tr> <tr><td>4-PLC</td><td>±</td></tr> <tr><td>ANGLES</td><td>±1°</td></tr> </table>		0-PLC	±	1-PLC	±	2-PLC	±	3-PLC	±	4-PLC	±	ANGLES	±1°	PRODUCT SPEC 108-137159	DRAWING NO C-2834049	
0-PLC	±															
1-PLC	±															
2-PLC	±															
3-PLC	±															
4-PLC	±															
ANGLES	±1°															
MATERIAL -		APPLICATION SPEC 114-137159	SIZE A300779	RESTRICTED TO												
FINISH -		WEIGHT 1.65g	CAGE CODE A300779													
		CUSTOMER DRAWING	SCALE 2:1	SHEET 2 OF 6												
				REV B1												

THIS DRAWING IS UNPUBLISHED.

RELEASED FOR PUBLICATION

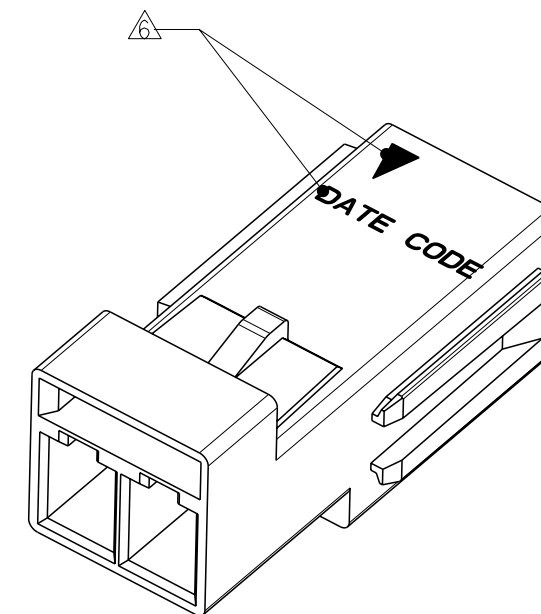
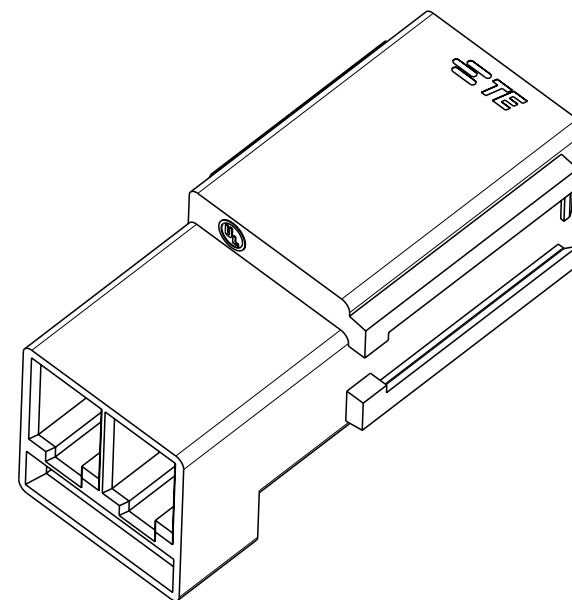
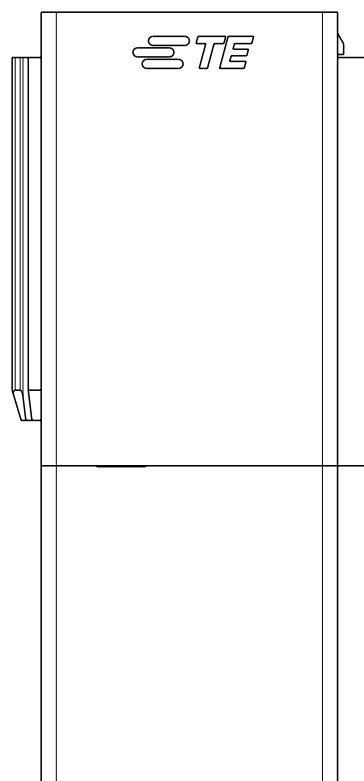
20

© COPYRIGHT 20 BY -

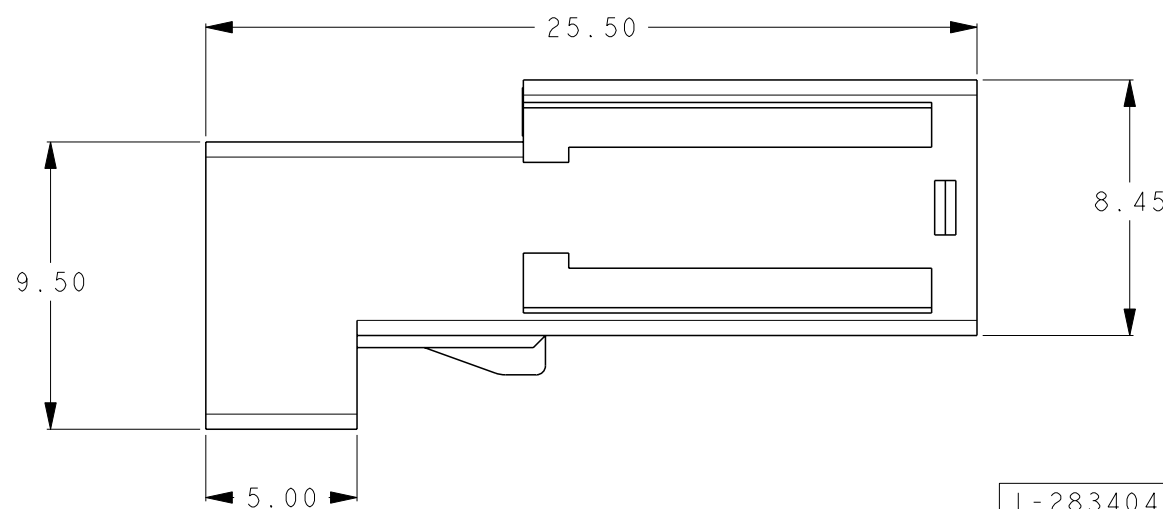
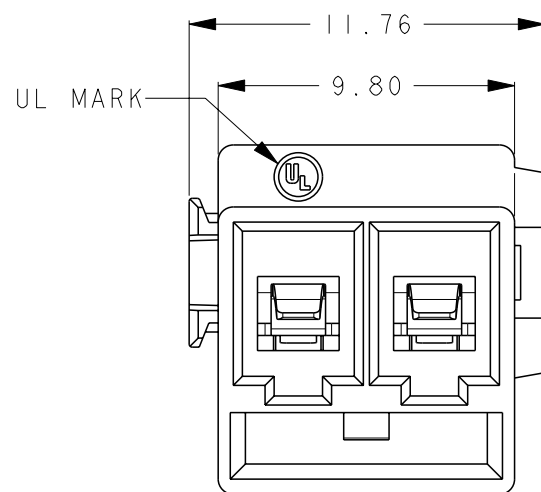
ALL RIGHTS RESERVED.

REVISIONS

P	LTR	DESCRIPTION	DATE	DWN	APVD
		SEE SHEET 1			




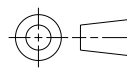
DATE CODE
 YY WW X
 ↑ ↑ ↑
 YY=YEAR
 EX: 15=2015
 WW=WEEK
 EX: 12=12
 X=DAY
 EX: 5=5



- NOTE:
- PART NUMBER: SEE TABLE.
 - MATERIAL:
 TERMINAL: COPPER ALLOY
 HOUSING: THERMOPLASTIC, UL94-V0.
 - FINISH
 TERMINAL: TIN PLATING OVERALL.
 - PACKAGING: PLASTIC BAG.
 - APPLICABLE WIRE:
 SOLID: 18-22AWG.
 STRANDED WIRE: 16-20 AWG(26 STRANDS MAX. FOR 16 AWG
 16 STRANDS MAX. FOR 18AWG, 7 STRANDS MAX. FOR 20AWG.
 (14AWG: 7 STRANDS, 16 AWG: 26 STRANDS, 18AWG: 16STRANDS)
- △ MARK APPROXIMATION LOCATION.

I-2834049-4	RED
I-2834049-3	ORANGE
I-2834049-2	BLACK
I-2834049-1	NATURAL
PART NUMBER	PART COLOR

AS SHOWN: 1-2834049-1/2/3/4

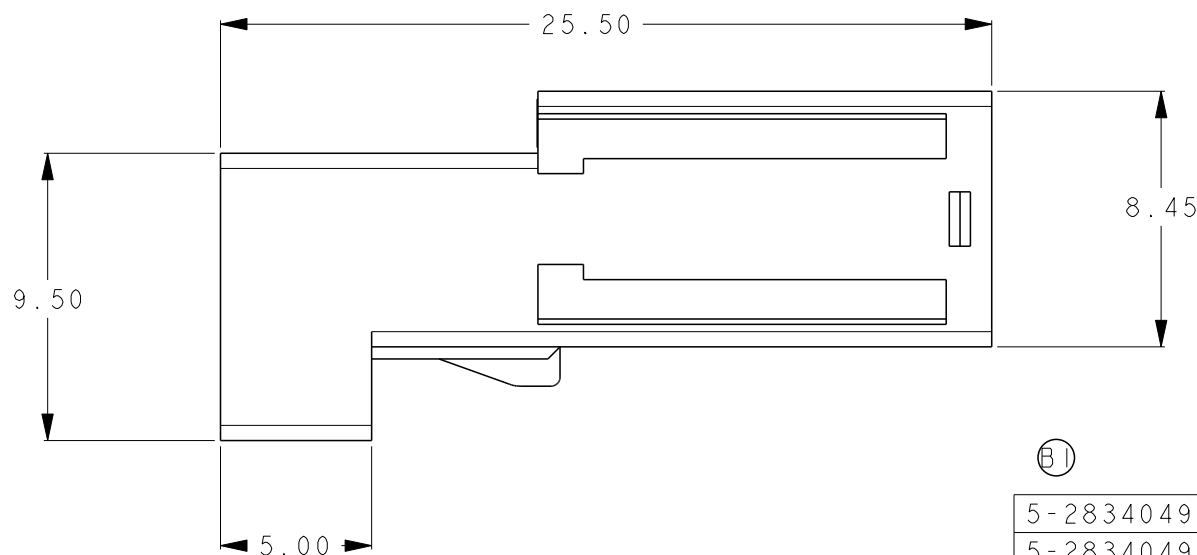
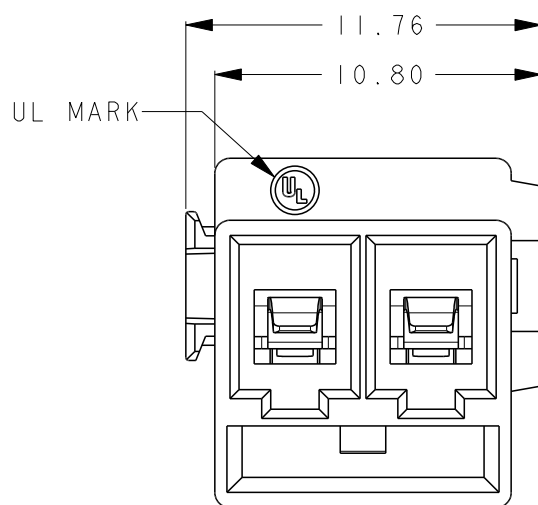
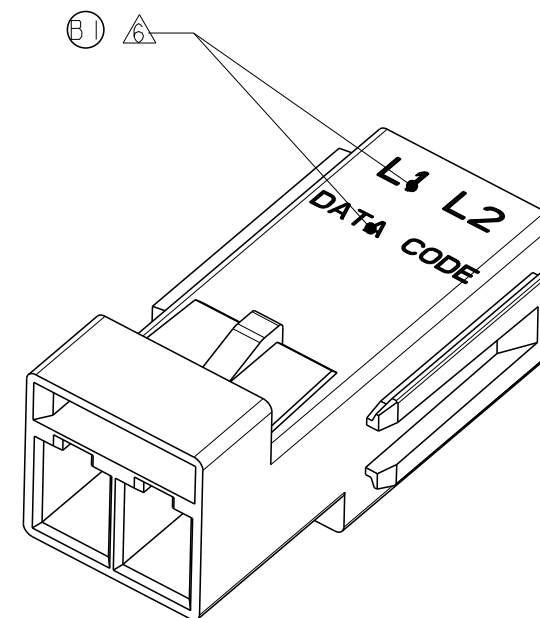
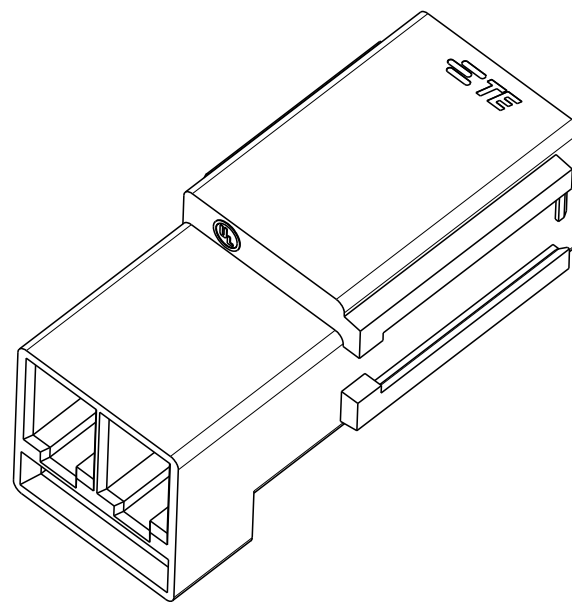
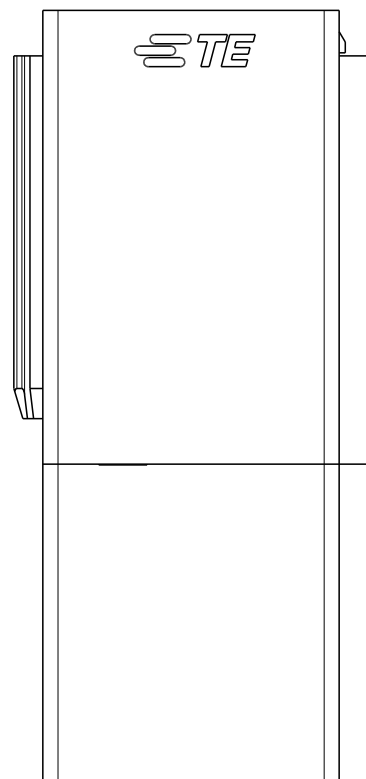
THIS DRAWING IS A CONTROLLED DOCUMENT.		DWN	11JUN2021	 TE Connectivity	NAME 2 PIN WIRE TO WIRE CONNECTOR PLUG ASSEMBLY
		FRANK FAN	11JUN2021		
		CHK	GEORGE FU		
		APVD	MING SHI		
DIMENSIONS:		TOLERANCES UNLESS OTHERWISE SPECIFIED:		PRODUCT SPEC	
mm		± 0.50		108-137159	
		0-PLC	±	APPLICATION SPEC	
		1-PLC	±	114-137159	
		2-PLC	±	WEIGHT	
		3-PLC	±	1.71g	
MATERIAL		FINISH		SIZE	
-		-		A300779	
				CAGE CODE	
				G-2834049	
				DRAWING NO	
				RESTRICTED TO	
				SCALE	
				2:1	
				SHEET	
				3 OF 6	
				REV	
				B1	

printed on 1 Jun 2021 09:40 (China Standard Time) from TE310617

A

P	LTR	DESCRIPTION	DATE	DWN	APVD
		SEE SHEET 1			

DATE CODE
 YY WW X
 ↑ ↑ ↑
 YY=YEAR
 EX: 15=2015
 WW=WEEK
 EX: 12=12
 X=DAY
 EX: 5=5


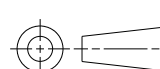


AS SHOWN : 5-2834049-1/2/3/4

NOTE:

- PART NUMBER: SEE TABLE.
 - MATERIAL:
 TERMINAL: COPPER ALLOY
 HOUSING: THERMOPLASTIC, UL94-V0.
 - FINISH
 TERMINAL: TIN PLATING OVERALL.
 - PACKAGING: PLASTIC BAG.
 - APPLICABLE WIRE:
 SOLID: 18-22AWG.
 STRANDED WIRE: 16-20 AWG(26 STRANDS MAX. FOR 16 AWG
 16 STRANDS MAX. FOR 18AWG, 7 STRANDS MAX. FOR 20AWG.
 (14AWG: 7 STRANDS, 16 AWG: 26 STRANDS, 18AWG: 16STRANDS)
- △ MARK APPROXIMATION LOCATION.

5-2834049-4	RED
5-2834049-3	ORANGE
5-2834049-2	BLACK
5-2834049-1	NATURAL
PART NUMBER	PART COLOR

THIS DRAWING IS A CONTROLLED DOCUMENT.		DWN FRANK FAN 11 JUN 2021	 TE Connectivity	
DIMENSIONS: mm		CHK GEORGE FU 11 JUN 2021		
TOLERANCES UNLESS OTHERWISE SPECIFIED: ±0.50		APVD MING SHI 11 JUN 2021	NAME 2 PIN WIRE TO WIRE CONNECTOR PLUG ASSEMBLY	
 0-PLC ± 1-PLC ± 2-PLC ± 3-PLC ± 4-PLC ± ANGLES ±1°		PRODUCT SPEC 108-137159	DRAWING NO C-2834049	
MATERIAL -		APPLICATION SPEC 114-137159	SIZE A300779	RESTRICTED TO
FINISH -		WEIGHT 1.71g	CAGE CODE C-2834049	
		CUSTOMER DRAWING	SCALE 2:1	SHEET 4 OF 6
				REV B1

Printed on 11 Jun 2021 09:41 (China Standard Time) From 1E310617

THIS DRAWING IS UNPUBLISHED.

RELEASED FOR PUBLICATION

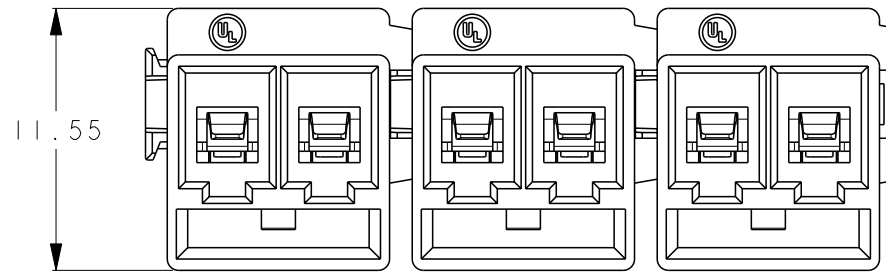
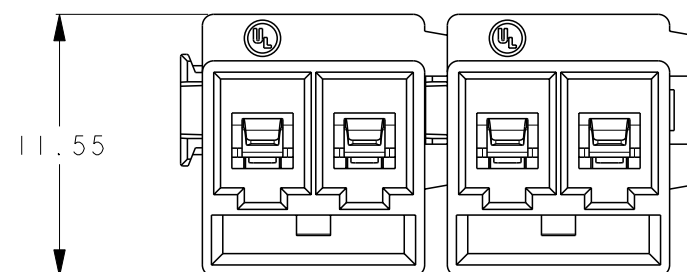
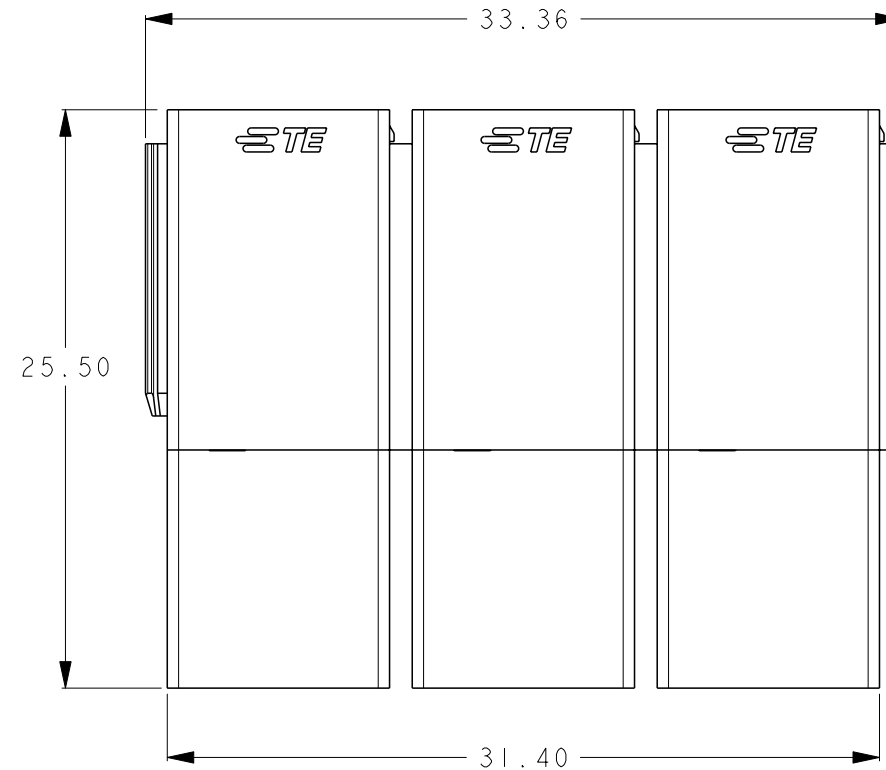
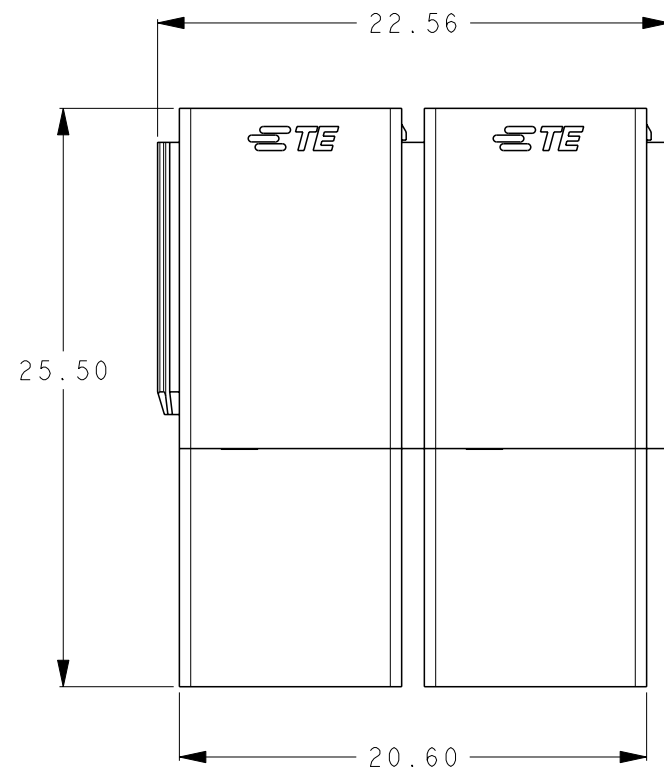
20

© COPYRIGHT 20 BY -

ALL RIGHTS RESERVED.

REVISIONS

P	LTR	DESCRIPTION	DATE	DWN	APVD
		SEE SHEET 1			



P / N : 2 - 2834049 - 1 / 2 / 3

P / N : 3 - 2834049 - 1 / 2

3-2834049-2	2P+2P+2P	ORANGE+BLACK+RED
3-2834049-1	MODULAR	NATURAL+BLACK+RED
2-2834049-3	2P+2P MODULAR	ORANGE+ORANGE
2-2834049-2		BLACK+RED
2-2834049-1		NATURAL+BLACK
PART NUMBER	DESCRIPTION	PART COLOR

THIS DRAWING IS A CONTROLLED DOCUMENT.

DIMENSIONS:	TOLERANCES UNLESS OTHERWISE SPECIFIED:
mm	± 0.50
	0-PLC \pm
	1-PLC \pm
	2-PLC \pm
	3-PLC \pm
	4-PLC \pm
	ANGLES $\pm 1^\circ$
MATERIAL	FINISH
-	-
-	-

DWN	11JUN2021
FRANK FAN	
CHK	11JUN2021
GEORGE FU	
APVD	11JUN2021
MING SHI	
PRODUCT SPEC	108-137159
APPLICATION SPEC	114-137159
WEIGHT	-
CUSTOMER DRAWING	

STE TE Connectivity

NAME
2 PIN WIRE TO WIRE CONNECTOR
PLUG ASSEMBLY

SIZE	CAGE CODE	DRAWING NO	RESTRICTED TO
A300779	C-2834049		

SCALE 2:1 SHEET 5 OF 6 REV B1

printed on 1 Jun 2021 09:40 (China Standard Time) from TE310617

A

A

D

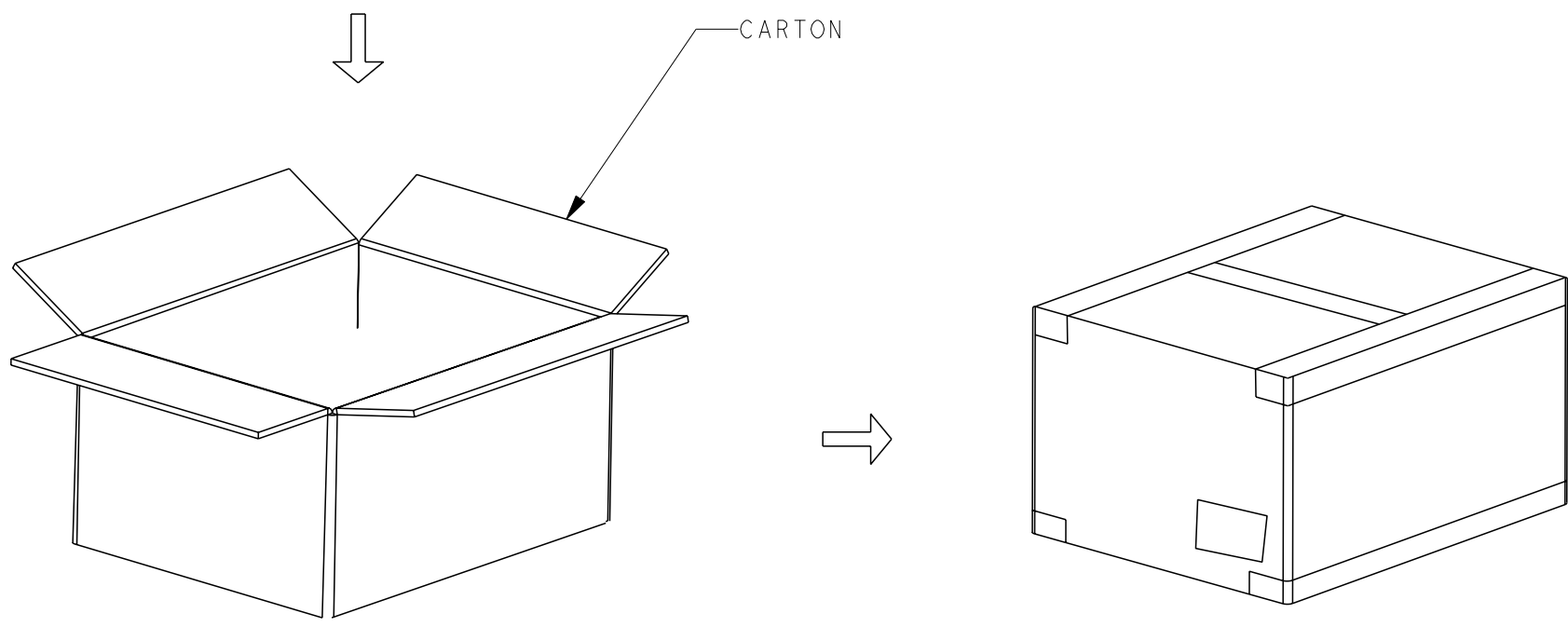
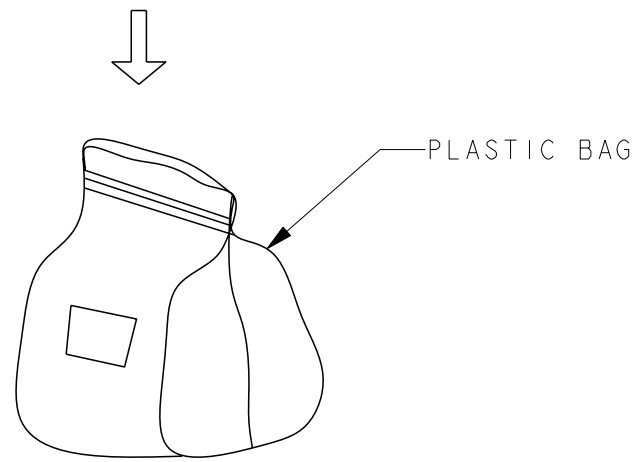
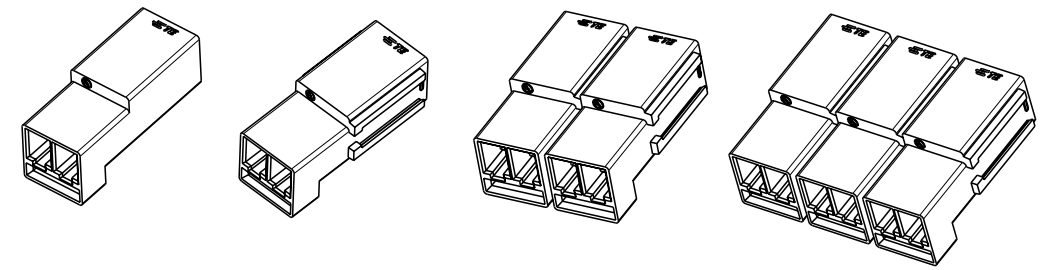
D

C

B

THIS DRAWING IS UNPUBLISHED. RELEASED FOR PUBLICATION 20
 © COPYRIGHT 20 BY - ALL RIGHTS RESERVED.

REVISIONS					
P	LTR	DESCRIPTION	DATE	DWN	APVD
	-	SEE SHEET 1	-	-	-



NOTE:
 1. PACKAGING QUANTITY: SEE TABLE.

PART NUMBER	PAIRS PER BAG	BAGS PER CARTON	PAIRS PER CARTON
2834049-*	500	8	4000

PART NUMBER	PAIRS PER BAG	BAGS PER CARTON	PAIRS PER CARTON
1-2834049-*	500	8	4000

PART NUMBER	PAIRS PER BAG	BAGS PER CARTON	PAIRS PER CARTON
2-2834049-*	300	8	2400

PART NUMBER	PAIRS PER BAG	BAGS PER CARTON	PAIRS PER CARTON
3-2834049-*	200	8	1600

PART NUMBER	PAIRS PER BAG	BAGS PER CARTON	PAIRS PER CARTON
4-2834049-*	500	8	4000

PART NUMBER	PAIRS PER BAG	BAGS PER CARTON	PAIRS PER CARTON
5-2834049-*	500	8	4000

printed on 1 Jun 2021 09:40 (China Standard Time) from TE310617

THIS DRAWING IS A CONTROLLED DOCUMENT.		DWN FRANK FAN 11JUN2021	TE Connectivity	
DIMENSIONS: mm		CHK GEORGE FU 11JUN2021		
TOLERANCES UNLESS OTHERWISE SPECIFIED:		APVD MING SHI 11JUN2021	NAME 2 PIN WIRE TO WIRE CONNECTOR PLUG ASSEMBLY	
0 PLC ±		PRODUCT SPEC 108-137159	-	
1 PLC ±		APPLICATION SPEC 114-137159	SIZE CAGE CODE DRAWING NO RESTRICTED TO	
2 PLC ±		WEIGHT -	A300779 C-2834049	
3 PLC ±		CUSTOMER DRAWING	SCALE 2:1 SHEET 6 OF 6 REV B1	
4 PLC ±				
ANGLES ± °				
MATERIAL -				
FINISH -				

X-ON Electronics

Largest Supplier of Electrical and Electronic Components

Click to view similar products for [Lighting Connectors](#) category:

Click to view products by [TE Connectivity](#) manufacturer:

Other Similar products are found below :

[293300-7](#) [293660-5](#) [CNX_H03_NTP](#) [30-9767-BU](#) [3605](#) [3-21030-1](#) [ZCH-110-RGB-I](#) [503471-0290](#) [ZCH-110-RGB-J](#) [217-0716-200](#)
[1954563-1](#) [1-293657-2](#) [2834036-1](#) [2834037-1](#) [1-2213222-4](#) [2-2213222-4](#) [2213222-4](#) [2834122-3](#) [2834122-5](#) [2834135-2](#) [FLA-R4142-30](#)
[FLA-R4162-30](#) [FLA-R2142-30](#) [FLA-R2141-30](#) [FLA-R2162-30](#) [FLA-R2161-30](#) [FLA-R0161-30](#) [FLA-R0141-30](#) [FLA-R0142-30](#) [FLA-](#)
[R0162-30](#) [FLA-C00-00](#) [DGA00010553](#) [CNXV04NTP](#) [104128-0610](#) [503485-0000 \(Cut Strip\)](#) [503485-0000 \(Loose Piece\)](#) [503485-0000](#)
[\(MINI Reel\)](#) [1-2834074-2](#) [1-2834074-3](#) [1357-AC PLUG W2C \(CHINA\)](#) [1357-AC PLUG W2 \(USA\)](#) [104266-0110](#) [2106212-1](#) [2-2834074-2](#)
[104266-0210](#) [293470-1](#) [293651-2](#) [293651-4](#) [1-2834006-2](#) [293651-1](#)