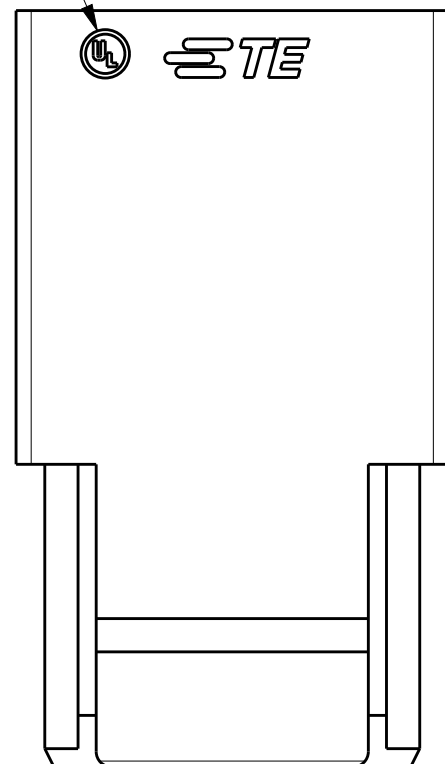
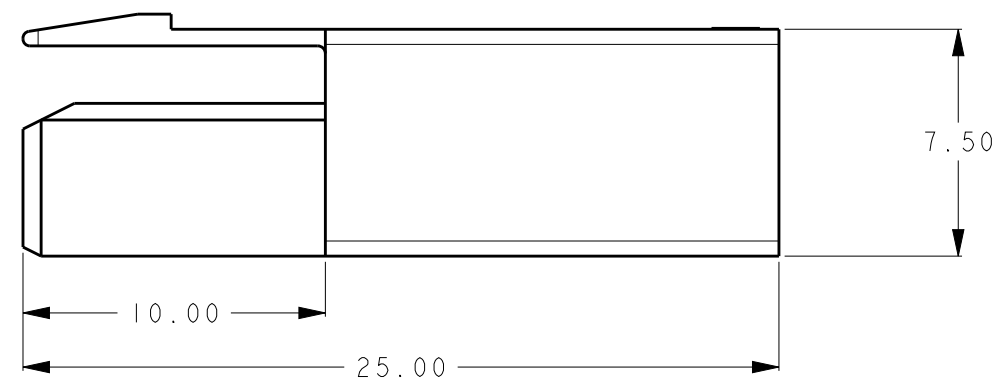
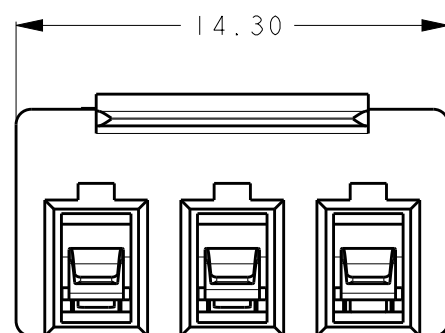
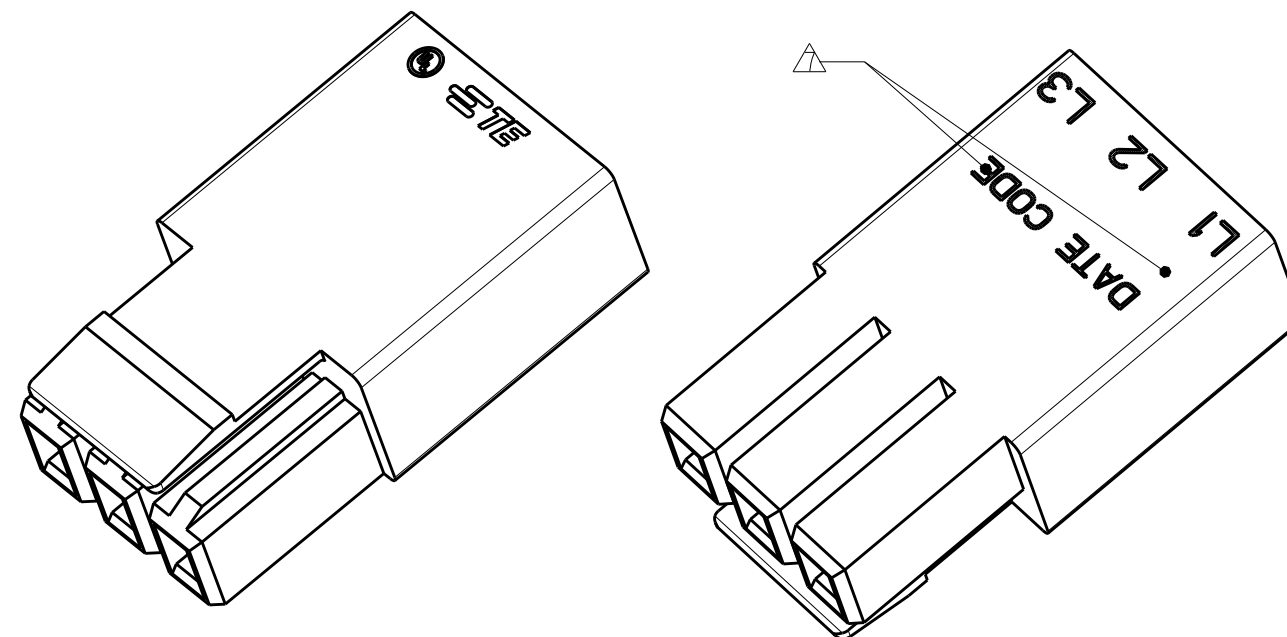


P	LTR	DESCRIPTION	DATE	DWN	APVD
	A	INITIAL RELEASE	11 JULY 2016	Z.W	X.X
	B	ADD UL MARK	16 JUL 2018	Z.W	S.M

UL MARK




DATE CODE
 YY WW X
 ↑ ↑ ↑
 YY=YEAR
 EX: 16=2016
 WW=WEEK
 EX: 12=12
 X=DAY
 EX: 5=5



NOTE:

- PART NUMBER: SEE TABLE.
 - MATERIAL:
 TERMINAL: COPPER ALLOY
 HOUSING: THERMOPLASTIC, UL94-V0.
 - FINISH
 TERMINAL: TIN PLATING OVERALL.
 - PACKAGING: PLASTIC BAG.
 - APPLICABLE WIRE:
 SOLID: 18-22AWG
 STRANDED WIRE: 16-20AWG(26 STRANDS MAX. FOR 16AWG
 16 STRANDS MAX. FOR 18AWG, 7 STRANDS MAX. FOR 20AWG)
- △ MARK APPROXIMATION LOCATION.

2834054-4	2834055-4	RED
2834054-3	2834055-3	ORANGE
2834054-2	2834055-2	BLACK
2834054-1	2834055-1	NATURAL
PART NUMBER	MATING PART	PART COLOR

THIS DRAWING IS A CONTROLLED DOCUMENT.		DWN 18DEC2015 ZHANG WEI	 TE Connectivity	
DIMENSIONS: mm		CHK 18DEC2015 SHI MING		
TOLERANCES UNLESS OTHERWISE SPECIFIED: ±0.50		APVD 18DEC2015 XU XIANG	NAME 3 PIN WIRE TO WIRE CONNECTOR PLUG ASSEMBLY	
0-PLC ± 1-PLC ± 2-PLC ± 3-PLC ± 4-PLC ± ANGLES ±1°		PRODUCT SPEC 108-137160	SIZE CAGE CODE DRAWING NO RESTRICTED TO	
MATERIAL -		APPLICATION SPEC 114-137160	A300779 C-2834054	
FINISH -		WEIGHT 1.95g	SCALE 2:1 SHEET 1 OF 2 REV B	
		CUSTOMER DRAWING		

THIS DRAWING IS UNPUBLISHED.

RELEASED FOR PUBLICATION

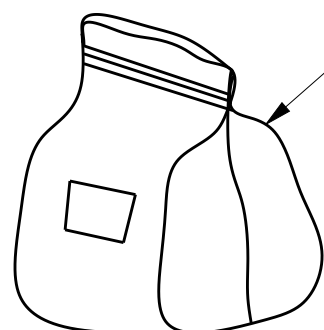
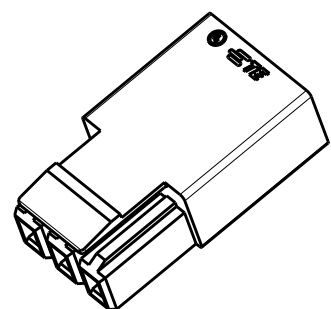
20

© COPYRIGHT 20 BY -

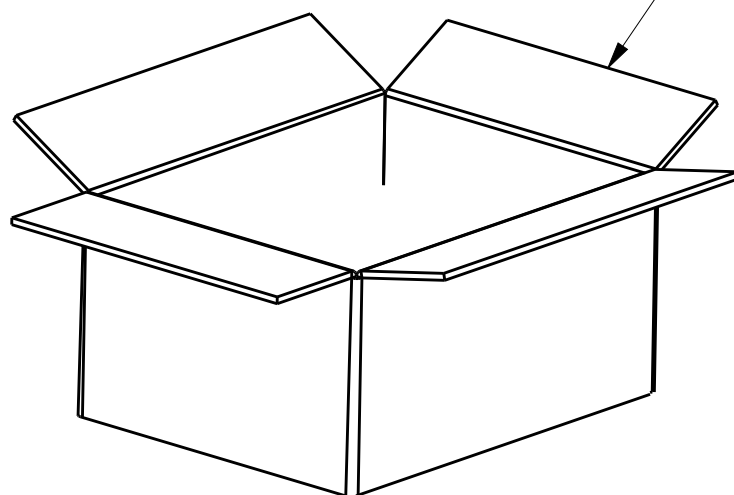
ALL RIGHTS RESERVED.

REVISIONS

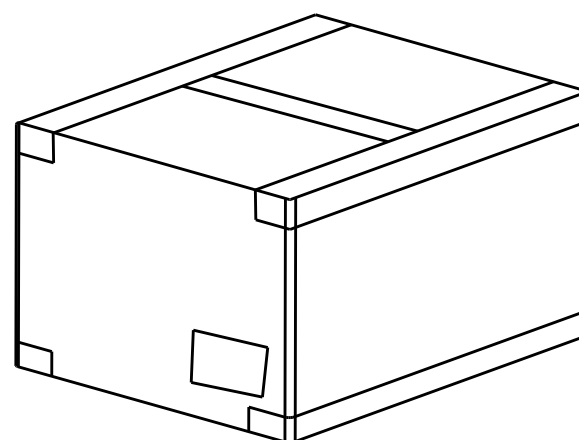
P	LTR	DESCRIPTION	DATE	DWN	APVD
-		SEE SHEET 1	-	-	-



PLASTIC BAG



CARTON



NOTE:
1. PACKAGING QUANTITY: SEE TABLE.

PAIRS PER BAG	BAGS PER CARTON	PAIRS PER CARTON
400	6	2400

THIS DRAWING IS A CONTROLLED DOCUMENT.

DIMENSIONS: mm		TOLERANCES UNLESS OTHERWISE SPECIFIED:	
	0 PLC	±	
	1 PLC	±	
	2 PLC	±	
	3 PLC	±	
	4 PLC	±	
	ANGLES	±	±1°
MATERIAL	-	FINISH	-

DWN	ZHANG WEI	18DEC2015
CHK	SHI MING	18DEC2015
APVD	XU XIANG	18DEC2015
PRODUCT SPEC	108-137160	
APPLICATION SPEC	114-137160	
WEIGHT	1.95g	
CUSTOMER DRAWING		



NAME
3 PIN WIRE TO WIRE CONNECTOR
PLUG ASSEMBLY

SIZE	CAGE CODE	DRAWING NO	RESTRICTED TO
A3	00779	C=2834054	-
SCALE		SHEET	REV
2:1		2 OF 2	B

X-ON Electronics

Largest Supplier of Electrical and Electronic Components

Click to view similar products for [Lighting Connectors](#) category:

Click to view products by [TE Connectivity](#) manufacturer:

Other Similar products are found below :

[293300-7](#) [293660-5](#) [CNX_H03_NTP](#) [30-9767-BU](#) [3605](#) [3-21030-1](#) [ZCH-110-RGB-I](#) [503471-0290](#) [ZCH-110-RGB-J](#) [217-0716-200](#)
[1954563-1](#) [1-293657-2](#) [2834036-1](#) [2834037-1](#) [1-2213222-4](#) [2-2213222-4](#) [2213222-4](#) [2834122-3](#) [2834122-5](#) [2834135-2](#) [FLA-R4142-30](#)
[FLA-R4162-30](#) [FLA-R2142-30](#) [FLA-R2141-30](#) [FLA-R2162-30](#) [FLA-R2161-30](#) [FLA-R0161-30](#) [FLA-R0141-30](#) [FLA-R0162-30](#) [FLA-C00-](#)
[00](#) [DGA00010553](#) [CNXV04NTP](#) [104128-0610](#) [503485-0000 \(Cut Strip\)](#) [503485-0000 \(Loose Piece\)](#) [503485-0000 \(MINI Reel\)](#) [1-2834074-2](#)
[1-2834074-3](#) [1357-AC PLUG W2C \(CHINA\)](#) [1357-AC PLUG W2 \(USA\)](#) [104266-0110](#) [2106212-1](#) [2-2834074-2](#) [104266-0210](#) [293470-1](#)
[293651-2](#) [293651-4](#) [1-2834006-2](#) [293651-1](#) [2213142-3](#)