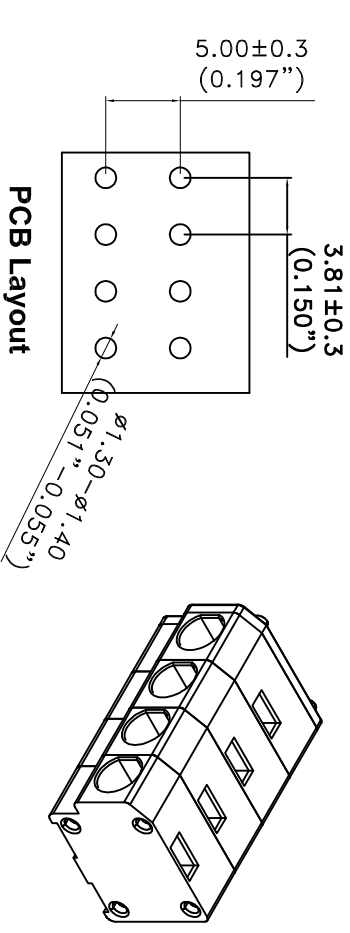
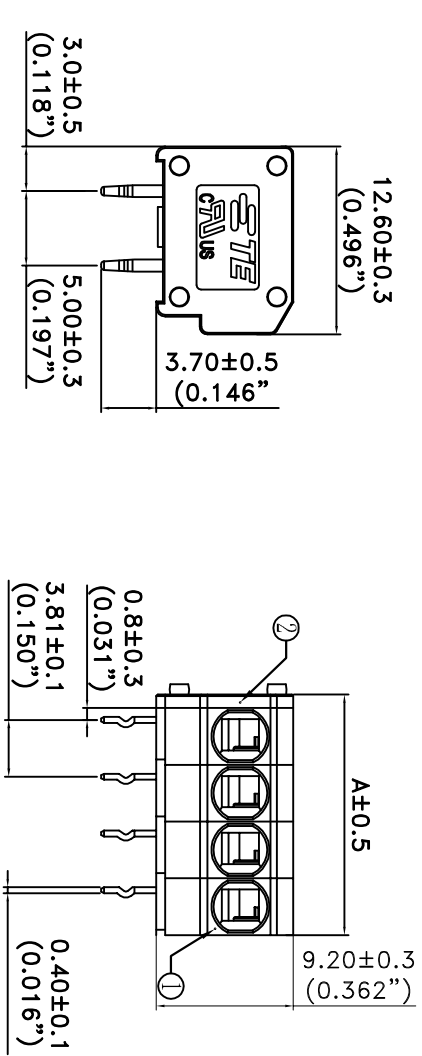


LOC	DIST	REV	DATE	DMN	APP'D
		P			
		A	24/02/2015	GF	SJM

REVISIONS		DATE	DMN	APP'D
P	LTR			
A	FIRST VERSION	24/02/2015	GF	SJM



PCB Layout

NOTES :

△ MATERIALS AND FINISH:

- 1. HOUSING: PA66
- 2. CONTACTS: COPPER, FINISH: TIN OVER COPPER UNDERPLATE
- 3. MUST COMPLY WITH DIRECTIVE 2002/95/EC (ROHS)
- 4. WIRE TYPES AND SIZES ACCEPTED
- 5. WIRE RANGE: 16AWG~20AWG.
- 6. STRIP LENGTH: 9.0mm~10.0mm
- 7. PACKAGED IN TRAY.
- 8. CURRENT RATING: 8Amp AC300V.
- 9. OPERATION TEMPERATURE: -40°C TO +105°C
- 10. THIS PART NO. IS THE SAME STRUCTURE AS THE SERIES: 2834088
- 11. THE DATASHEET AND MORE DETAILS PLEASE FOLLOW THE SERIES: 2834088

④	③	②	①
WIRE PROTECTOR	CONTACT	COVER	HOUSING
31.38	8 POSN	2 POSN	2 POSN
27.57	7 POSN	2 POSN	2 POSN
23.76	6 POSN	2 POSN	2 POSN
19.95	5 POSN	2 POSN	2 POSN
16.14	4 POSN	2 POSN	2 POSN
12.33	3 POSN	2 POSN	2 POSN
8.52	2 POSN	2 POSN	2 POSN
A	NO. OF POSITIONS	PART NO	

THIS DRAWING IS A CONTROLLED DOCUMENT.

DATE: 0228EC2015  
 DESIGNED BY: GEORGE FU  
 CHECKED BY: XIAO MING  
 DRAWN BY: XIAO MING  
 PART NO: 2834088-1  
 REV: 1

STE TE Connectivity  
 381 Horizontal Entry Screwless Connector

SCALE: 1:1

## **X-ON Electronics**

Largest Supplier of Electrical and Electronic Components

*Click to view similar products for [Fixed Terminal Blocks](#) category:*

*Click to view products by [TE Connectivity](#) manufacturer:*

Other Similar products are found below :

[MBE-1512](#) [MBE-154](#) [MBE-156](#) [MBES-153](#) [MBES-156](#) [MH-2512](#) [MHE-132](#) [MHE-163](#) [MI-254 \(35\)](#) [MI-272](#) [880507](#) [MPT-275](#)  
[15602-04-08-21](#) [BA311TU](#) [BA411SU](#) [MV-152](#) [MV-252-D](#) [MV-253/NCNOC](#) [MV-254-D](#) [MV-255](#) [MV-462](#) [MV-493](#) [MVE-252](#) [MVE-253](#)  
[MVE-273](#) [MVEB-153](#) [1700096](#) [1705142](#) [1712417](#) [1713020](#) [1713088](#) [1745195](#) [1760594](#) [1776118-2](#) [1790852](#) [1-796689-8](#) [1-796692-6](#)  
[1800001](#) [1800114](#) [1995279](#) [20020314-C121B01LF](#) [20020316-G041B01LF](#) [CB2-12](#) [KP03215000J0G](#) [KP04215000J0G](#) [S451](#) [282802-2](#)  
[29.007](#) [29.116](#) [30.103](#)