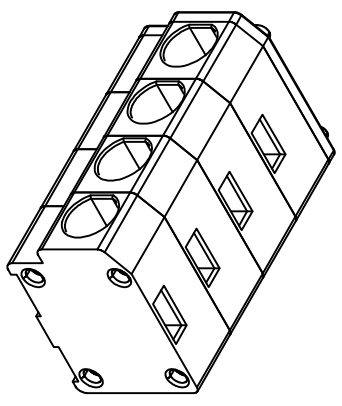
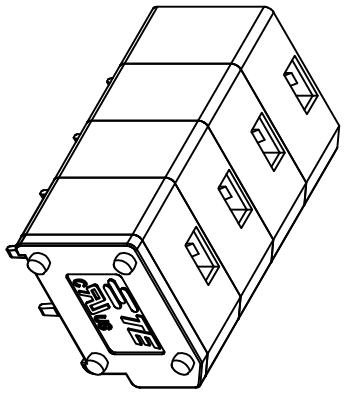
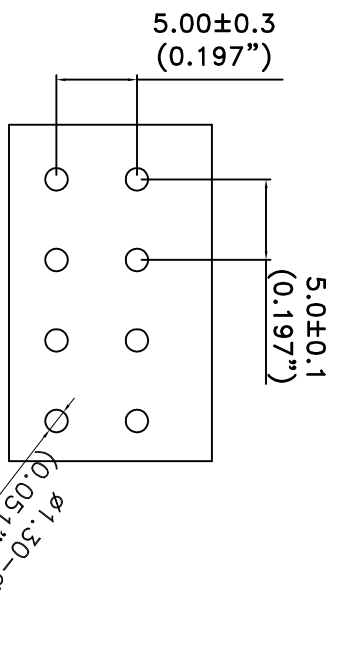
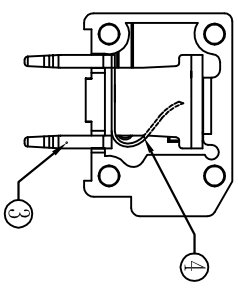
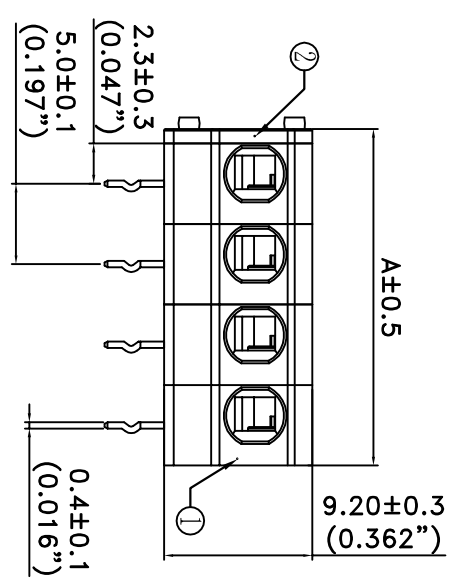
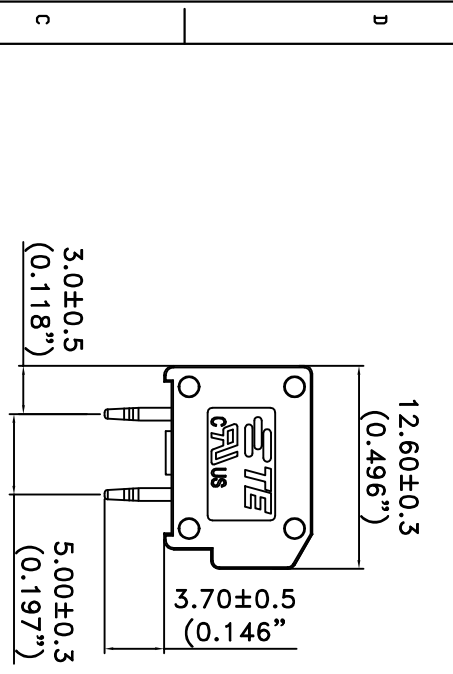


REV. NO.	DATE	BY	APP'D
P			
A			

REV. NO.	DESCRIPTION	DATE	BY	APP'D
P				
A				



NO. OF POSN	WIRE PROTECTOR	CONTACT	COVER	HOUSING	PART NO
40.90	8 POSN	2834089-7			
35.90	7 POSN	2834089-6			
30.90	6 POSN	2834089-5			
25.90	5 POSN	2834089-4			
20.90	4 POSN	2834089-3			
15.90	3 POSN	2834089-2			
10.90	2 POSN	2834089-1			
A	NO. OF POSITIONS				PART NO

PCB Layout

NOTES :

- 1. MATERIALS AND FINISH:
 - HOUSING: PA66
 - CONTACTS: COPPER, FINISH: TIN OVER COPPER UNDERPLATE
- 2. MUST COMPLY WITH DIRECTIVE 2002/95/EC (ROHS)
- 3. WIRE TYPES AND SIZES ACCEPTED
- 4. WIRE RANGE: 14AWG~20AWG.
- 5. STRIP LENGTH: 9.0mm~10.0mm
- 6. PACKAGED IN TRAY.
- 7. CURRENT RATING: 10Amp AC300V.
- 8. OPERATION TEMPERATURE: -40°C TO +105°C
- 9. THIS PART NO. IS THE SAME STRUCTURE AS THE SERIES: 2834089
- 10. THE DATASHEET AND MORE DETAILS PLEASE FOLLOW THE SERIES: 2834089

THIS DRAWING IS A CONTROLLED DOCUMENT.

DESIGNER	CHKD	DATE	REV
REV	DATE	REV	DATE
DATE	DATE	DATE	DATE
DATE	DATE	DATE	DATE

50 Horizontal Entry Screwless Connector

TE Connectivity

2834089

X-ON Electronics

Largest Supplier of Electrical and Electronic Components

Click to view similar products for [Fixed Terminal Blocks](#) category:

Click to view products by [TE Connectivity](#) manufacturer:

Other Similar products are found below :

[MBE-1512](#) [MBE-154](#) [MBE-156](#) [MBES-153](#) [MBES-156](#) [MH-2512](#) [MHE-132](#) [MHE-163](#) [MI-254 \(35\)](#) [MI-272](#) [880507](#) [MPT-275](#)
[15602-04-08-21](#) [ELM023100](#) [BA311TU](#) [BA411SU](#) [MV-152](#) [MV-252-D](#) [MV-253/NCNOC](#) [MV-254-D](#) [MV-255](#) [MV-462](#) [MV-493](#) [MVE-](#)
[252](#) [MVE-253](#) [MVE-273](#) [MVEB-153](#) [1700096](#) [1705142](#) [1712417](#) [1713020](#) [1713088](#) [1745195](#) [1760594](#) [1776118-2](#) [1790852](#) [1-796689-8](#)
[1-796692-6](#) [1800001](#) [1800114](#) [1995279](#) [20020314-C121B01LF](#) [CB2-12](#) [KP03215000J0G](#) [KP04215000J0G](#) [S451](#) [282802-2](#) [29.007](#) [29.116](#)
[30.103](#)