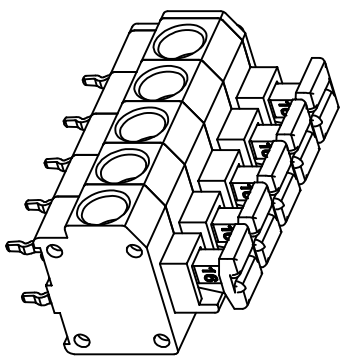
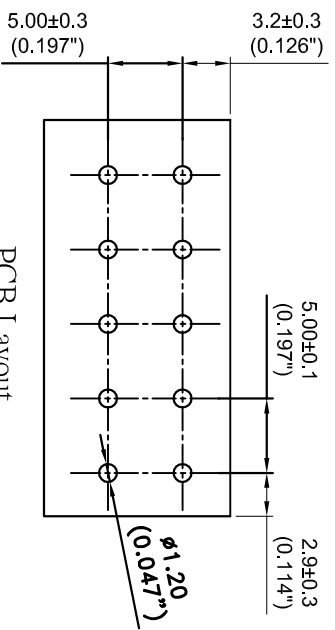
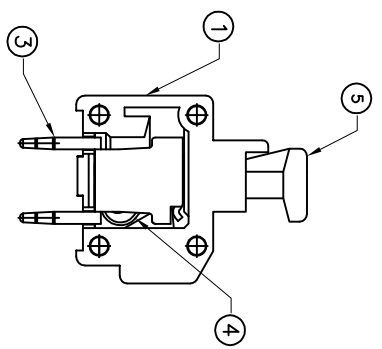
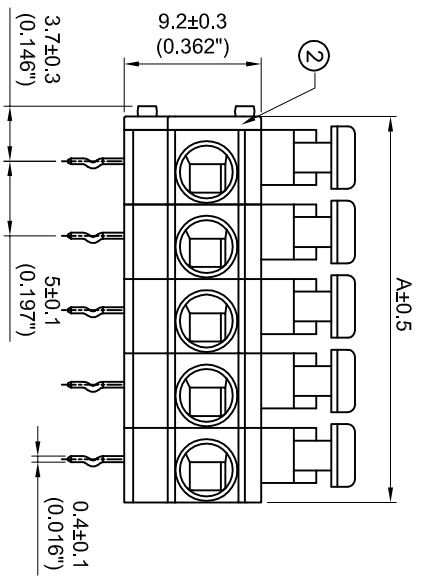
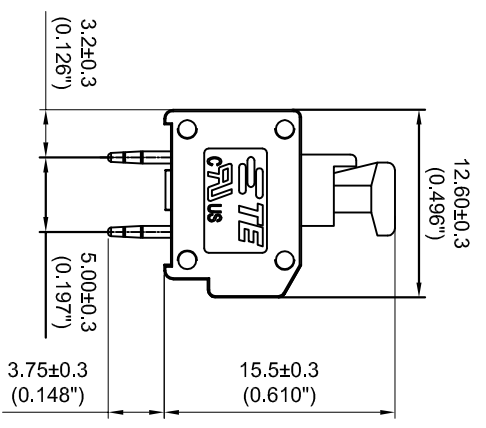


REV. NO.		DATE		DWG. NO.		APP'D.	
P	LTR	DESCRIPTION	DATE	DWG. NO.	APP'D.	DATE	APP'D.
1	A	FIRST VERSION	24/02/2015	2834095	GF	SJM	



NOTES :

- 1. MATERIALS AND FINISH:
 - HOUSING: PA66
 - CONTACTS: COPPER, FINISH: TIN OVER NICKEL UNDERPLATE
- 2. MUST COMPLY WITH DIRECTIVE 2002/95/EC (ROHS)
- 3. WIRE TYPES AND SIZES ACCEPTED
 - WIRE RANGE: 14AWG~20AWG.
 - STRIP LENGTH: 9.0mm~10.0mm
- 4. PACKAGED IN TRAY.
- 5. CURRENT RATING: 10Amp AC300V.
- 6. OPERATION TEMPERATURE: -40°C TO +105°C
- 7. THIS PART NO. IS THE SAME STRUCTURE AS THE SERIES: 2834095
- THE DATASHEET AND MORE DETAILS PLEASE FOLLOW THE SERIES: 2834095

⑤	LEVER	2834095-7
④	WIRE PROTECTOR	2834095-6
③	CONTACT	2834095-5
②	COVER	2834095-4
①	HOUSING	2834095-1

COLOR	DIM A	NO. OF POSITIONS	PART NO
GRAY	40.90	8 POSN	2834095-7
	35.90	7 POSN	2834095-6
	30.90	6 POSN	2834095-5
	25.90	5 POSN	2834095-4
	20.90	4 POSN	2834095-3
	15.90	3 POSN	2834095-2
	10.90	2 POSN	2834095-1

THIS DRAWING IS A CONTROLLED DOCUMENT.

DATE	2015.02.24
DESIGNER	ALL RIGHTS RESERVED
DATE	2015.02.24
DESIGNER	ALL RIGHTS RESERVED
DATE	2015.02.24
DESIGNER	ALL RIGHTS RESERVED
DATE	2015.02.24
DESIGNER	ALL RIGHTS RESERVED

STE TE Connectivity

5.0 Horizontal Entry Screwless Connector

SCALE: 1:1

X-ON Electronics

Largest Supplier of Electrical and Electronic Components

Click to view similar products for [Fixed Terminal Blocks](#) category:

Click to view products by [TE Connectivity](#) manufacturer:

Other Similar products are found below :

[MBE-1512](#) [MBE-154](#) [MBE-156](#) [MBES-153](#) [MBES-156](#) [MH-2512](#) [MHE-132](#) [MHE-163](#) [MI-254 \(35\)](#) [MI-272](#) [880507](#) [MPT-275](#)
[15602-04-08-21](#) [ELM023100](#) [BA311TU](#) [BA411SU](#) [MV-152](#) [MV-252-D](#) [MV-253/NCNOC](#) [MV-254-D](#) [MV-255](#) [MV-462](#) [MV-493](#) [MVE-](#)
[252](#) [MVE-253](#) [MVE-273](#) [MVEB-153](#) [1700096](#) [1705142](#) [1712417](#) [1713020](#) [1713088](#) [1745195](#) [1760594](#) [1776118-2](#) [1790852](#) [1-796689-8](#)
[1-796692-6](#) [1800001](#) [1800114](#) [1995279](#) [20020314-C121B01LF](#) [20020316-G041B01LF](#) [CB2-12](#) [KP03215000J0G](#) [KP04215000J0G](#) [S451](#)
[282802-2](#) [29.007](#) [29.116](#)