

THIS DRAWING IS UNPUBLISHED.

RELEASED FOR PUBLICATION

20

© COPYRIGHT 20 BY -

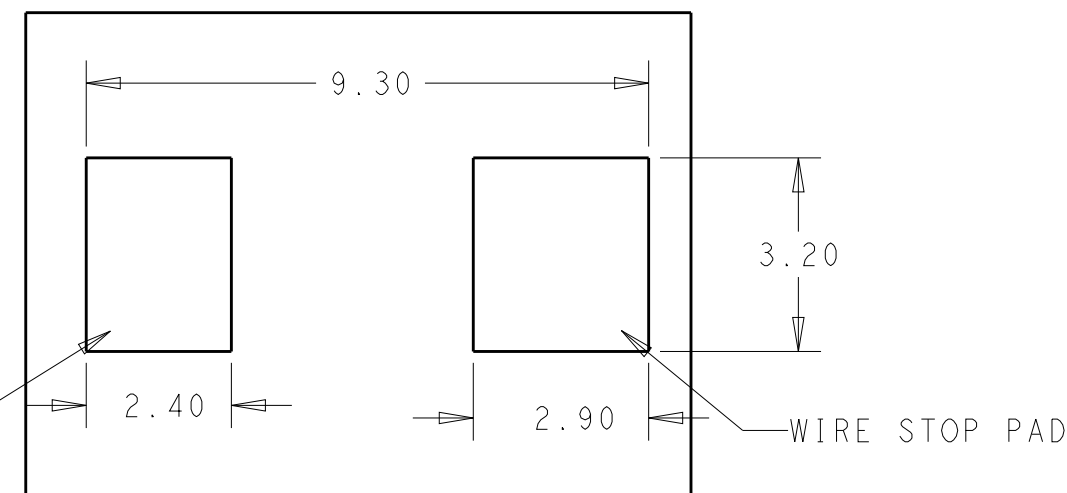
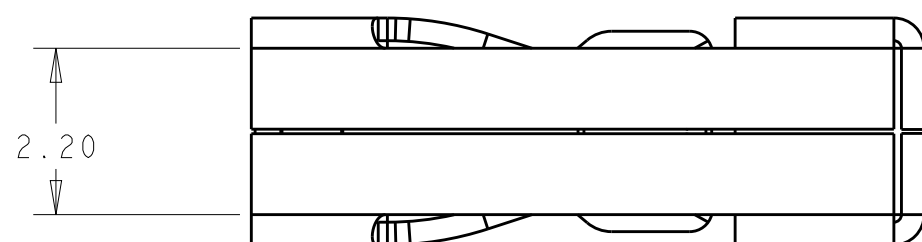
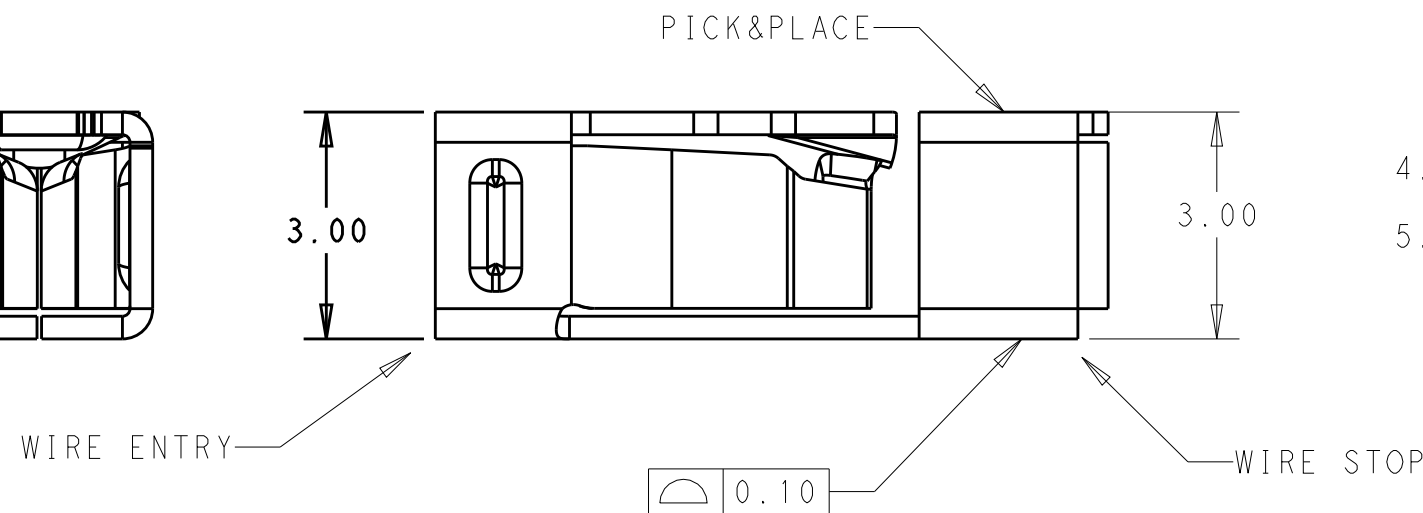
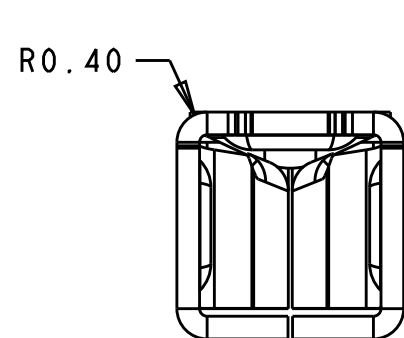
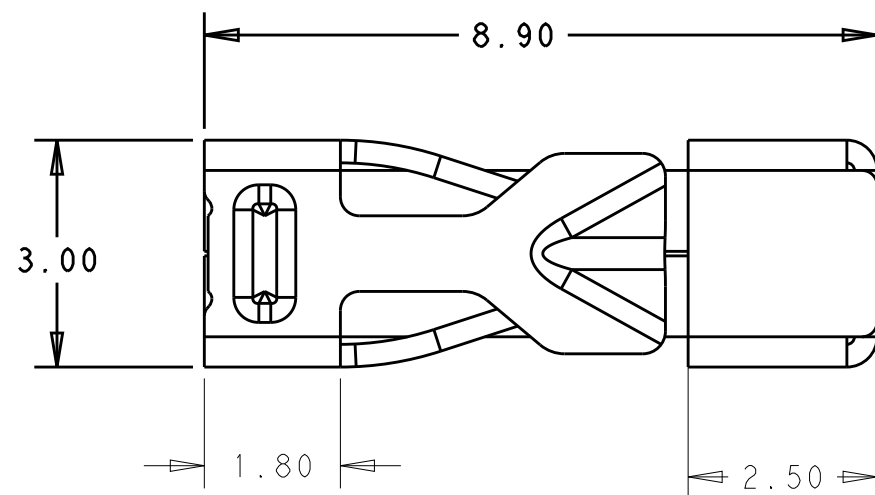
ALL RIGHTS RESERVED.

REVISIONS

P	LTR	DESCRIPTION	DATE	DWN	APVD
	A	FIRST VERSION	04AUG2016	G.F	S.M
	A1	SHOW THE PART NO	26OCT2016	G.F	S.M
	A2	ECR-19-000812 UPADET LAYOUT	17JAN2019	G.F	S.M
	A3	ECR-19-003648 UPDATE THE WIRE RANGE	07MAR2019	G.F	S.M

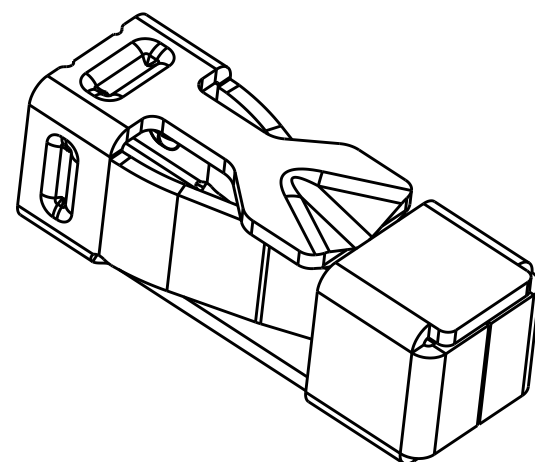
NOTES :

- MATERIALS AND FINISH:  
CONTACTS: COPPER ALLOY, FINISH: TIN OVER NICKEL UNDERPLATE
- MUST COMPLY WITH DIRECTIVE 2002/95/EC (ROHS)
- WIRE TYPES AND SIZES ACCEPTED  
WIRE SIZE: 18AWG SOLID & STRANDED  
20AWG SOLID & STRANDED  
22AWG SOLID & STRANDED  
TIN-DIPPED FOR ALL STRANDED WIRE.  
MAX INSULATION OD: 2.05mm MAX.  
STRIP LENGTH: 6.6+/-0.3mm
- PACKAGED IN TAPE AND REEL
- NO RECONNECTION OF SMALLER CONDUCTOR CROSS-SECTIONS AFTER 18AWG WIRE FIRST INSERTION



RECOMMENDED PCB LAYOUT

SCALE 10:1



PART NO: 2834167-3

THIS DRAWING IS A CONTROLLED DOCUMENT.

DIMENSIONS:		TOLERANCES UNLESS OTHERWISE SPECIFIED:	
mm			
		0 PLC	±-
		1 PLC	±0.20
		2 PLC	±0.13
		3 PLC	±
		4 PLC	±
MATERIAL		FINISH	
TBD		-	

DWN	26OCT2016
GEORGE FU	
CHK	26OCT2016
SHI MING	
APVD	26OCT2016
XU XIANG	
PRODUCT SPEC	108-137166
APPLICATION SPEC	114-137166
WEIGHT	-
CUSTOMER DRAWING	



NAME				SMT RELEASABLE SLIM CONTACT	
PRODUCT SPEC				-	
APPLICATION SPEC				-	
SIZE	CAGE CODE	DRAWING NO	RESTRICTED TO		
A3	-	©-2834167	-		
SCALE		SHEET	OF	REV	
6:1		1	1	A3	

## X-ON Electronics

Largest Supplier of Electrical and Electronic Components

*Click to view similar products for [Lighting Connectors](#) category:*

*Click to view products by [TE Connectivity](#) manufacturer:*

Other Similar products are found below :

[293300-7](#) [293660-5](#) [CNX\\_H03\\_NTP](#) [30-9767-BU](#) [3605](#) [3-21030-1](#) [ZCH-110-RGB-I](#) [503471-0290](#) [ZCH-110-RGB-J](#) [217-0716-200](#)  
[1954563-1](#) [1-293657-2](#) [2834036-1](#) [2834037-1](#) [1-2213222-4](#) [2-2213222-4](#) [2213222-4](#) [2834122-3](#) [2834122-5](#) [2834135-2](#) [FLA-R4142-30](#)  
[FLA-R4162-30](#) [FLA-R2142-30](#) [FLA-R2141-30](#) [FLA-R2162-30](#) [FLA-R2161-30](#) [FLA-R0161-30](#) [FLA-R0141-30](#) [FLA-R0142-30](#) [FLA-](#)  
[R0162-30](#) [FLA-C00-00](#) [DGA00010553](#) [CNXV04NTP](#) [104128-0610](#) [503485-0000 \(Cut Strip\)](#) [503485-0000 \(Loose Piece\)](#) [503485-0000](#)  
[\(MINI Reel\)](#) [1-2834074-2](#) [1-2834074-3](#) [1357-AC PLUG W2C \(CHINA\)](#) [1357-AC PLUG W2 \(USA\)](#) [104266-0110](#) [2106212-1](#) [2-2834074-2](#)  
[104266-0210](#) [293470-1](#) [293651-2](#) [293651-4](#) [1-2834006-2](#) [293651-1](#)