

4

3

2

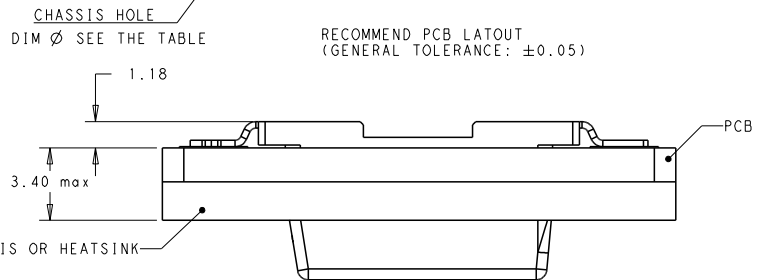
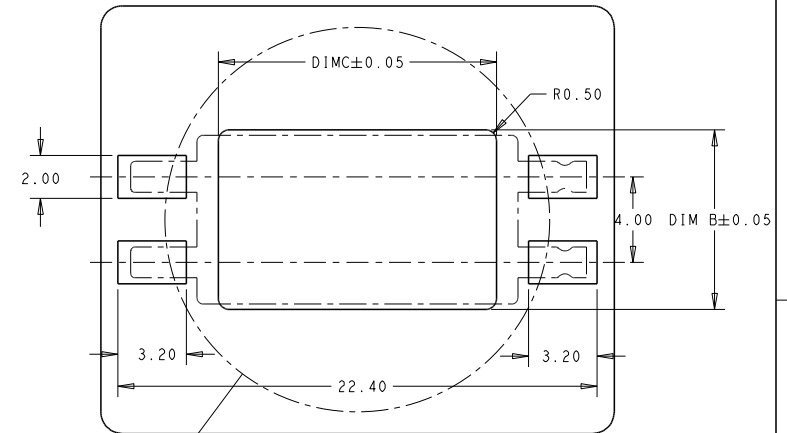
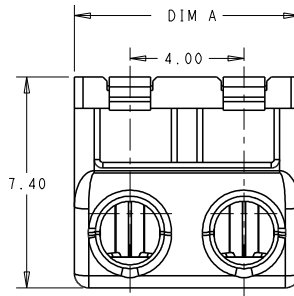
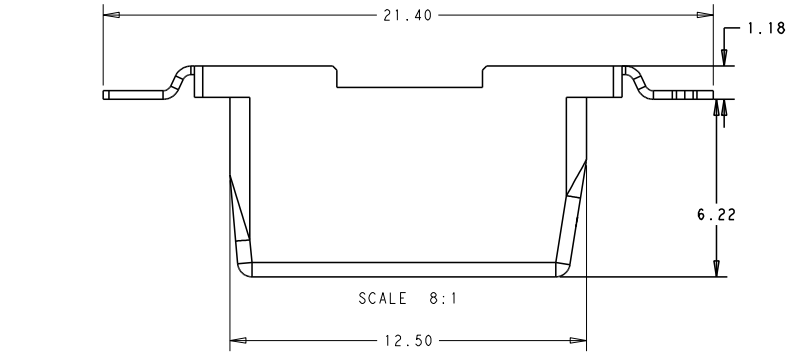
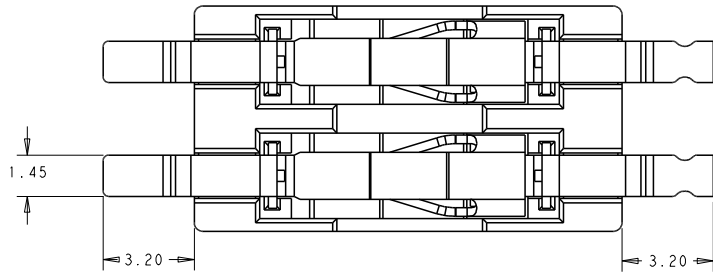
1

THIS DRAWING IS UNPUBLISHED. RELEASED FOR PUBLICATION 20  
 © COPYRIGHT 20 BY - ALL RIGHTS RESERVED.

NOTES :

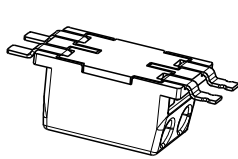
- MATERIALS AND FINISH:  
 - HOUSING: HIGH THERMAL PLASTIC  
 - CONTACTS: COPPER ALLOY, FINISH: PRE-TIN OVER NICKEL UNDERPLATE
- MUST COMPLY WITH DIRECTIVE 2002/95/EC (ROHS)
- OPERATING TEMPERATURE: -55°C~ 105°C
- WIRE TYPES AND SIZES ACCEPTED  
 SOLID WIRE: 18AWG, 20AWG, 22AWG, 24AWG  
 STRAND WIRE: 18AWG (STRANDS:16); 20AWG (STRANDS:7); 22AWG (STRANDS:7)  
 24AWG (UL1061/STRANDS:7)  
 MAX INSULATION OD: 2.1mm MAX.  
 STRIP LENGTH: 8.0±0.5mm
- PACKAGED IN TAPE AND REEL

| REVISIONS |     |                   |           |          |
|-----------|-----|-------------------|-----------|----------|
| P         | LYR | DESCRIPTION       | DATE      | DWN APVD |
| A         |     | FIRST RELEASE     | 13NOV2018 | G.F S.M  |
| A1        |     | ADD NEW COLOR P/N | 03SEP2019 | G.F S.M  |
|           |     |                   |           |          |
|           |     |                   |           |          |

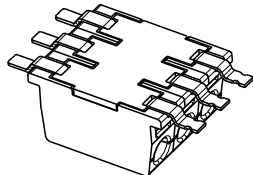


ADD CAP P/N: \*-2834334-\*

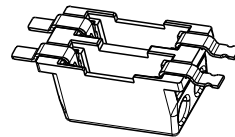
W/O CAP P/N: \*-2834313-\*



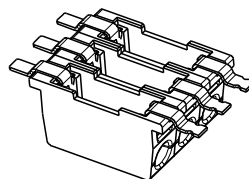
STANDARD 2P



MODULAR ASSEMBLY TYPE



STANDARD 2P



MODULAR ASSEMBLY TYPE

SET INSTALLTION OF PCB & CHASSIS OR HEATSINK

|  |  |                            |  |  |
|--|--|----------------------------|--|--|
| THIS DRAWING IS A CONTROLLED DOCUMENT. |  | DWN - GEORGE FU 13NOV2018  |  |  |
|  |  | CHK - GEORGE FU 13NOV2018  |  |  |
| DIMENSIONS:                            |  | APVD - SHEI MING 13NOV2018 | NAME 4.0PITCH ITB RELEASABLE POKE-IN CONNECTOR |  |
| TOLERANCES UNLESS OTHERWISE SPECIFIED: |  | PRODUCT SPEC               | SIZE CAGE CODE DRAWING NO                      |  |
| 0 PLC ±0.20                            |  | 108-137311                 | A200779C-2834313                               |  |
| 1 PLC ±0.13                            |  | APPLICATION SPEC           | RESTRICTED TO                                  |  |
| 2 PLC ±0.10                            |  | 114-137311                 | SCALE 4:1 SHEET 1 OF 2 REV A1                  |  |
| 3 PLC ±0.08                            |  | WEIGHT                     |  |  |
| 4 PLC ±0.05                            |  | CUSTOMER DRAWING           |  |  |
| ANGLES                                 |  |                            |  |  |
| FINISH                                 |  |                            |  |  |
| MATERIAL                               |  |                            |  |  |
| NOTE 1                                 |  |                            |  |  |

4

3

2

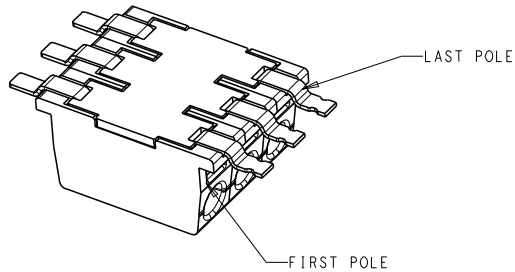
1

THIS DRAWING IS UNPUBLISHED. RELEASED FOR PUBLICATION 20  
 © COPYRIGHT 20 BY - ALL RIGHTS RESERVED.

| REVISIONS |     |             |      |     |      |
|-----------|-----|-------------|------|-----|------|
| P         | LYR | DESCRIPTION | DATE | DWN | APVD |
|           |     | SEE SHEET 1 |      |     |      |
|           |     |             |      |     |      |
|           |     |             |      |     |      |
|           |     |             |      |     |      |

|                          |       |       |       |                 |          |                            |
|--------------------------|-------|-------|-------|-----------------|----------|----------------------------|
| ∅21 MIN                  | 13.1  | 12.6  | 12.0  | WHITE/BLACK/RED | 3        | 3-2834313-3                |
| ∅21 MIN                  | 13.1  | 12.6  | 12.0  | RED/BLACK/WHITE | 3        | 2-2834313-3                |
| ∅21 MIN                  | 13.1  | 12.6  | 12.0  | BLACK/WHITE/RED | 3        | 1-2834313-3                |
| ∅21 MIN                  | 13.1  | 12.6  | 12.0  | ALL WHITE       | 3        | 2834313-3                  |
| ∅18 MIN                  | 13.1  | 8.6   | 8.0   | WHITE/BLACK     | 2        | 8-2834313-2                |
| ∅18 MIN                  | 13.1  | 8.6   | 8.0   | BLACK/RED       | 2        | 7-2834313-2                |
| ∅18 MIN                  | 13.1  | 8.6   | 8.0   | RED/BLACK       | 2        | 6-2834313-2                |
| ∅18 MIN                  | 13.1  | 8.6   | 8.0   | WHITE/RED       | 2        | 5-2834313-2                |
| ∅18 MIN                  | 13.1  | 8.6   | 8.0   | GRAY/BLUE       | 2        | 4-2834313-2                |
| ∅18 MIN                  | 13.1  | 8.6   | 8.0   | BLACK/WHITE     | 2        | 3-2834313-2                |
| ∅18 MIN                  | 13.1  | 8.6   | 8.0   | ALL BLACK       | 2        | 2-2834313-2                |
| ∅18 MIN                  | 13.1  | 8.6   | 8.0   | BROWN/YELLOW    | 2        | 1-2834313-2                |
| ∅18 MIN                  | 13.0  | 8.4   | 8.0   | WHITE           | 2        | 2834313-2<br>(Standard 2P) |
| ∅16 MIN                  | 13.1  | 4.6   | 4.0   | GREEN           | 1        | 4-2834313-1                |
| ∅16 MIN                  | 13.1  | 4.6   | 4.0   | BLUE            | 1        | 3-2834313-1                |
| ∅16 MIN                  | 13.1  | 4.6   | 4.0   | BLACK           | 1        | 2-2834313-1                |
| ∅16 MIN                  | 13.1  | 4.6   | 4.0   | RED             | 1        | 1-2834313-1                |
| ∅16 MIN                  | 13.0  | 4.4   | 4.0   | WHITE           | 1        | 2834313-1                  |
| CHASSIS HOLE             | DIM C | DIM B | DIM A | COLOR           | POLES No | PART NO                    |
| PRODUCT WITHOUT CAP TYPE |       |       |       |                 |          |                            |

|                       |       |       |       |                 |          |                            |
|-----------------------|-------|-------|-------|-----------------|----------|----------------------------|
| ∅21 MIN               | 13.1  | 12.6  | 12.0  | WHITE/BLACK/RED | 3        | 3-2834334-3                |
| ∅21 MIN               | 13.1  | 12.6  | 12.0  | RED/BLACK/WHITE | 3        | 2-2834334-3                |
| ∅21 MIN               | 13.1  | 12.6  | 12.0  | BLACK/WHITE/RED | 3        | 1-2834334-3                |
| ∅21 MIN               | 13.1  | 12.6  | 12.0  | ALL WHITE       | 3        | 2834334-3                  |
| ∅18 MIN               | 13.1  | 8.6   | 8.0   | BLUE/RED        | 2        | 1-2834334-0                |
| ∅18 MIN               | 13.1  | 8.6   | 8.0   | RED/BLUE        | 2        | 9-2834334-2                |
| ∅18 MIN               | 13.1  | 8.6   | 8.0   | WHITE/BLACK     | 2        | 8-2834334-2                |
| ∅18 MIN               | 13.1  | 8.6   | 8.0   | BLACK/RED       | 2        | 7-2834334-2                |
| ∅18 MIN               | 13.1  | 8.6   | 8.0   | RED/BLACK       | 2        | 6-2834334-2                |
| ∅18 MIN               | 13.1  | 8.6   | 8.0   | WHITE/RED       | 2        | 5-2834334-2                |
| ∅18 MIN               | 13.1  | 8.6   | 8.0   | GRAY/BLUE       | 2        | 4-2834334-2                |
| ∅18 MIN               | 13.1  | 8.6   | 8.0   | BLACK/WHITE     | 2        | 3-2834334-2                |
| ∅18 MIN               | 13.1  | 8.6   | 8.0   | ALL BLACK       | 2        | 2-2834334-2                |
| ∅18 MIN               | 13.1  | 8.6   | 8.0   | BROWN/YELLOW    | 2        | 1-2834334-2                |
| ∅18 MIN               | 13.0  | 8.4   | 8.0   | WHITE           | 2        | 2834334-2<br>(Standard 2P) |
| ∅16 MIN               | 13.1  | 4.6   | 4.0   | GREEN           | 1        | 4-2834334-1                |
| ∅16 MIN               | 13.1  | 4.6   | 4.0   | BLUE            | 1        | 3-2834334-1                |
| ∅16 MIN               | 13.1  | 4.6   | 4.0   | BLACK           | 1        | 2-2834334-1                |
| ∅16 MIN               | 13.1  | 4.6   | 4.0   | RED             | 1        | 1-2834334-1                |
| ∅16 MIN               | 13.0  | 4.4   | 4.0   | WHITE           | 1        | 2834334-1                  |
| CHASSIS HOLE          | DIM C | DIM B | DIM A | COLOR           | POLES No | PART NO                    |
| PRODUCT WITH CAP TYPE |       |       |       |                 |          |                            |



|  |  |                             |  |  |
|--|--|-----------------------------|--|--|
| THIS DRAWING IS A CONTROLLED DOCUMENT.   |  | DWN - GEORGE FU 13NOV2018   |  |  |
|  |  | CHK - GEORGE FU 13NOV2018   |  |  |
|  |  | APVD - GEORGE FU 13NOV2018  | NAME 4.0PITCH ITB RELEASABLE POKE-IN CONNECTOR |  |
| DIMENSIONS: (mm)   |  | PRODUCT SPEC 108-137311     | SIZE CAGE CODE DRAWING NO                      |  |
| TOLERANCES UNLESS OTHERWISE SPECIFIED:<br>0 PLC ±.<br>1 PLC ±0.20<br>2 PLC ±0.13<br>3 PLC ±.<br>4 PLC ±.<br>ANGLES FINISH ±. |  | APPLICATION SPEC 114-137311 | A200779 ©=2834313                              |  |
| MATERIAL -   |  | WEIGHT -                    | RESTRICTED TO -                                |  |
| NOTE 1   |  | CUSTOMER DRAWING            | SCALE 4:1 SHEET 2 OF 2 REV A1                  |  |

## X-ON Electronics

Largest Supplier of Electrical and Electronic Components

*Click to view similar products for [Lighting Connectors](#) category:*

*Click to view products by [TE Connectivity](#) manufacturer:*

Other Similar products are found below :

[293300-7](#) [293660-5](#) [CNX\\_H03\\_NTP](#) [30-9767-BU](#) [3605](#) [3-21030-1](#) [ZCH-110-RGB-I](#) [503471-0290](#) [ZCH-110-RGB-J](#) [217-0716-200](#)  
[1954563-1](#) [1-293657-2](#) [2834036-1](#) [2834037-1](#) [1-2213222-4](#) [2-2213222-4](#) [2213222-4](#) [2834122-3](#) [2834122-5](#) [2834135-2](#) [FLA-R4142-30](#)  
[FLA-R4162-30](#) [FLA-R2142-30](#) [FLA-R2141-30](#) [FLA-R2162-30](#) [FLA-R2161-30](#) [FLA-R0161-30](#) [FLA-R0141-30](#) [FLA-R0142-30](#) [FLA-](#)  
[R0162-30](#) [FLA-C00-00](#) [DGA00010553](#) [CNXV04NTP](#) [104128-0610](#) [503485-0000 \(Cut Strip\)](#) [503485-0000 \(Loose Piece\)](#) [503485-0000](#)  
[\(MINI Reel\)](#) [1-2834074-2](#) [1-2834074-3](#) [1357-AC PLUG W2C \(CHINA\)](#) [1357-AC PLUG W2 \(USA\)](#) [104266-0110](#) [CNXV02NTP](#) [2106212-1](#)  
[2-2834074-2](#) [104266-0210](#) [293470-1](#) [293651-2](#) [293651-4](#) [1-2834006-2](#)