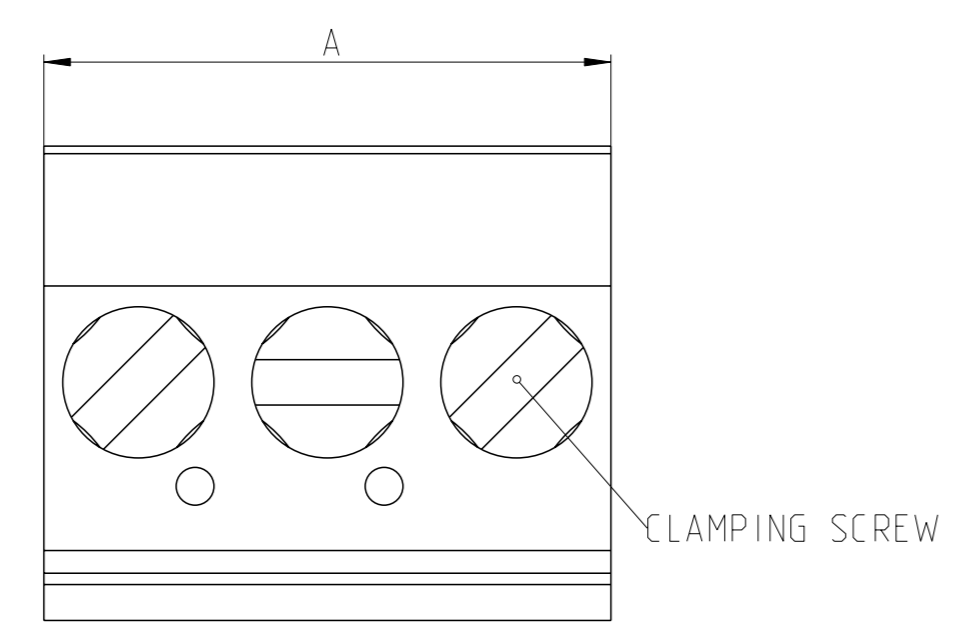
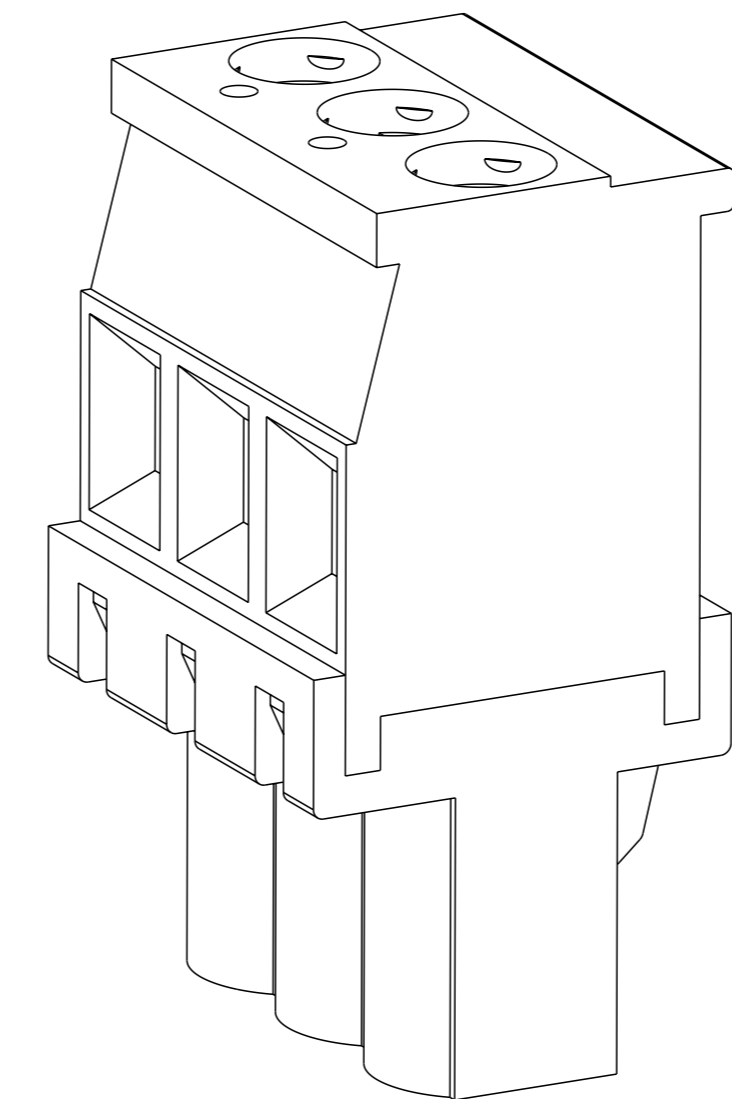
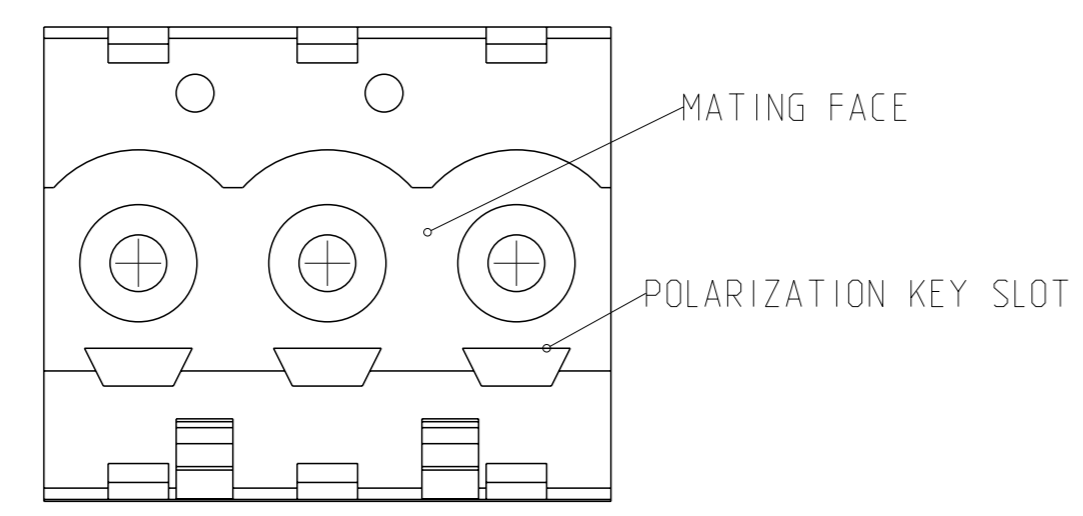
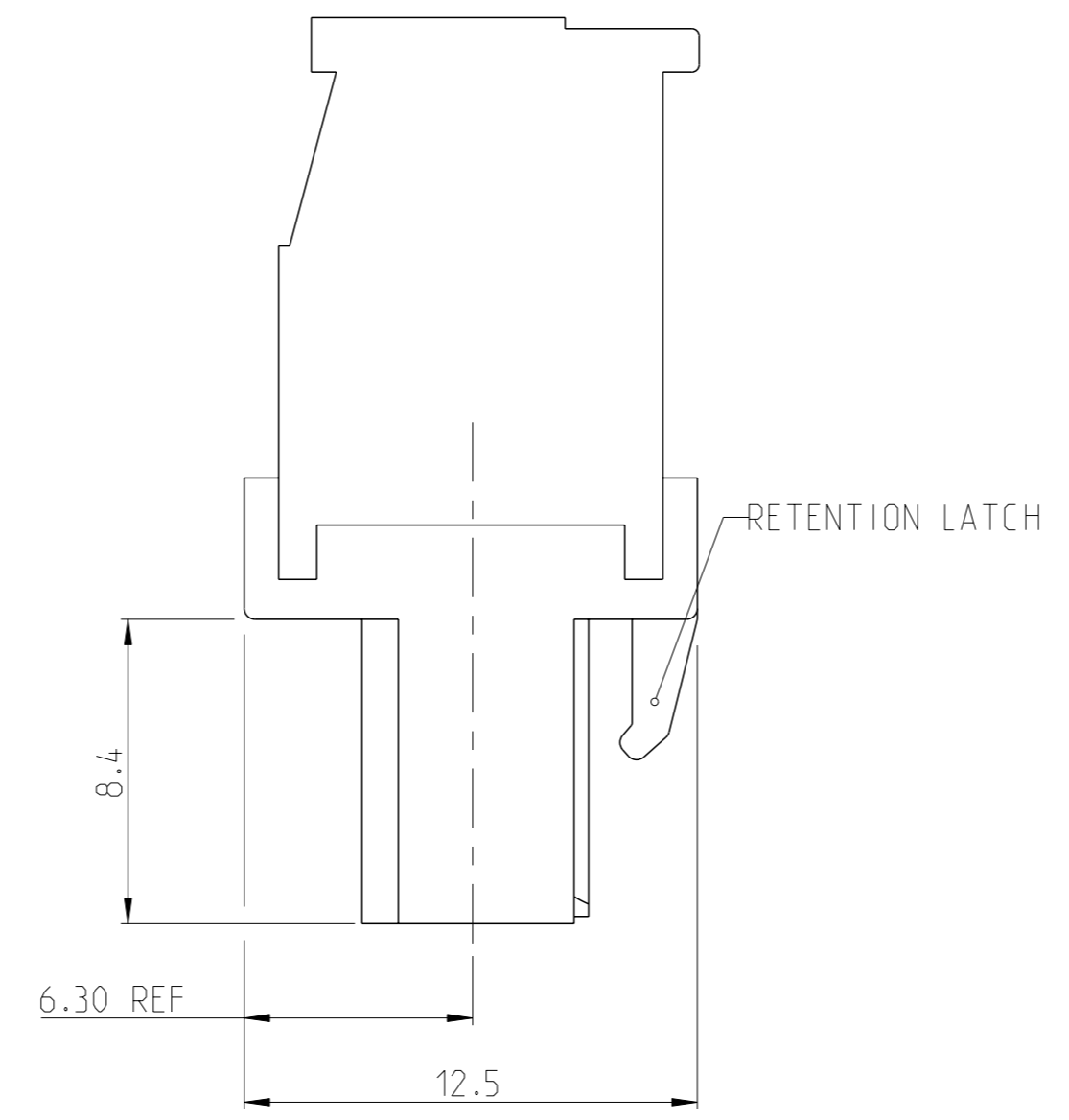
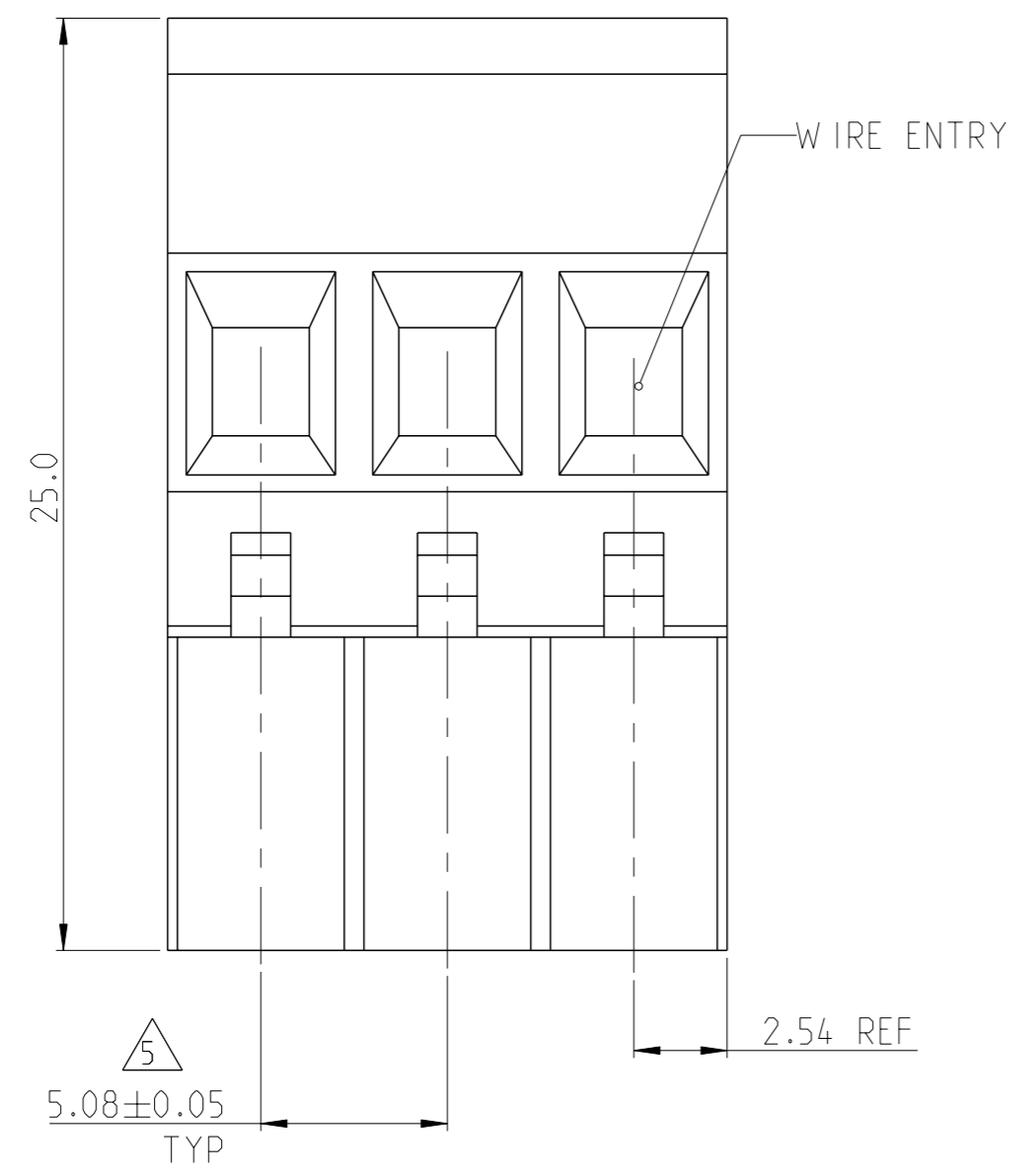


| REVISIONS | | | | | |
|-----------|------|----------------------------------|-----------|-----|------|
| # | DATE | DESCRIPTION | DATE | OWN | APVD |
| C4 | | REVISED PER ECO-16-009081 | 02JUL2014 | NK | MM |
| C5 | | DETAIL E, F, G AND H ADDED | 07MAR2016 | FP | NG |
| C6 | | PART 3-284041-4 (DETAIL J) ADDED | 05APR2016 | FP | NG |



- NOTES
- MATERIALS AND FINISH:
 HOUSING: PA 6-6, UL 94-V0, COLOR: GREEN.
 CLAMP: COPPER ALLOY, NICKEL PLATED.
 CONTACT SPRING : COPPER ALLOY, FINISH: SEE TABLE
 CLAMPING SCREW: M3, COPPER ALLOY, NICKEL PLATED.
 - MECHANICAL
 MAX. INSERTION FORCE PER HOLE : 3N
 MIN. WITHDRAWAL FORCE PER HOLE: 1.5N
 WIRE STRIPPING LENGTH : 6-7.5 mm
 RECOMMENDED/ HIGHEST TIGHTENING TORQUE : 0.5/0.6 Nm
 - ELECTRICAL
 WIRE RANGE : 30 - 12 AWG
 MAX. VOLTAGE : 300 V
 MAX CURRENT : 15 A
 CONTACT RESISTANCE : <15 m Ohm
 INSULATION RESISTANCE : >1000 M Ohm (500V DC)
 - OPERATING TEMPERATURE RANGE: -40 °C TO +110 °C



-3 AS SHOWN

- △ TOLERANCE NOT CUMULATIVE.
- △ PRELIMINARY
- △ SPECIAL MARKING TO BE PERMANENT BLACK LETTERING
- △ SPECIAL MARKING TO BE IN PERMANENT BLACK INK
- △ SPECIAL MARKING TO BE IN PERMANENT WHITE INK (SEE BACKGROUND COLOUR)

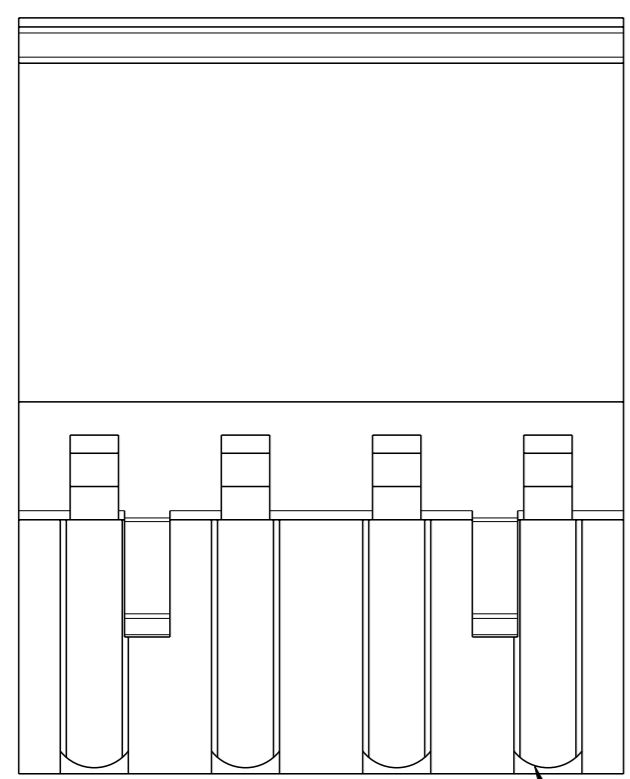
| DETAIL | DIM. | NO OF POS. | PART NUMBER |
|----------|--------|------------|-------------|
| DETAIL J | 40.64 | 8 | 3-284041-4 |
| DETAIL H | 20.32 | 4 | 3-284041-3 |
| DETAIL G | 30.48 | 6 | 3-284041-2 |
| DETAIL F | 30.48 | 6 | 3-284041-1 |
| DETAIL E | 40.64 | 8 | 3-284041-0 |
| DETAIL D | 20.32 | 4 | 2-284041-9 |
| DETAIL C | 20.32 | 4 | 2-284041-8 |
| DETAIL B | 20.32 | 4 | 2-284041-7 |
| DETAIL A | 20.32 | 4 | 2-284041-6 |
| | 127.00 | 25 | 2-284041-5 |
| | 121.92 | 24 | 2-284041-4 |
| | 116.84 | 23 | 2-284041-3 |
| | 111.76 | 22 | 2-284041-2 |
| | 106.68 | 21 | 2-284041-1 |
| | 101.60 | 20 | 2-284041-0 |
| | 96.52 | 19 | 1-284041-9 |
| | 91.44 | 18 | 1-284041-8 |
| | 86.36 | 17 | 1-284041-7 |
| | 81.28 | 16 | 1-284041-6 |
| | 76.20 | 15 | 1-284041-5 |
| | 71.12 | 14 | 1-284041-4 |
| | 66.04 | 13 | 1-284041-3 |
| | 60.96 | 12 | 1-284041-2 |
| | 55.88 | 11 | 1-284041-1 |
| | 50.80 | 10 | 1-284041-0 |
| | 45.72 | 9 | 284041-9 |
| | 40.64 | 8 | 284041-8 |
| | 35.56 | 7 | 284041-7 |
| | 30.48 | 6 | 284041-6 |
| | 25.40 | 5 | 284041-5 |
| | 20.32 | 4 | 284041-4 |
| | 15.24 | 3 | 284041-3 |
| | 10.16 | 2 | 284041-2 |

THIS DRAWING IS A CONTROLLED DOCUMENT. DIMENSIONS: mm. TOLERANCES UNLESS OTHERWISE SPECIFIED: 0 PLC ±, 1 PLC ±0.3, 2 PLC ±0.25, 3 PLC ±, 4 PLC ±, ANGLES ±, FINISH ±.

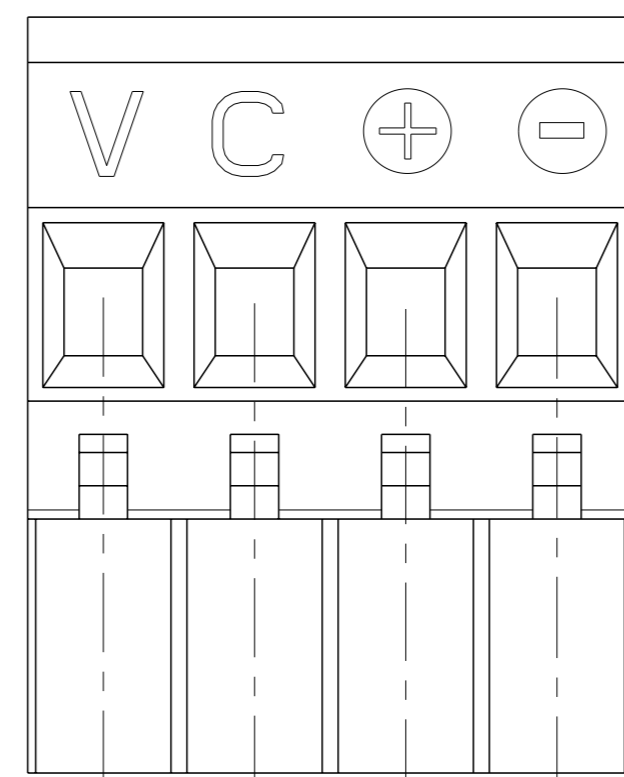
OWN: E. ZANOLINI 27MAR2001, CHK: D. BIEVENOUR 27MAR2001, APVD: D. BIEVENOUR 27MAR2001. NAME: TERMINAL BLOCK, VERTICAL PLUG STACKING, LEFT HAND 5.08mm PITCH. SIZE: A1, CAGE CODE: 00779, DRAWING NO: 284041, WEIGHT: -, MATERIAL: -. CUSTOMER DRAWING. SCALE: 4:1, SHEET 1 OF 2, REV: C6.

STE TE Connectivity

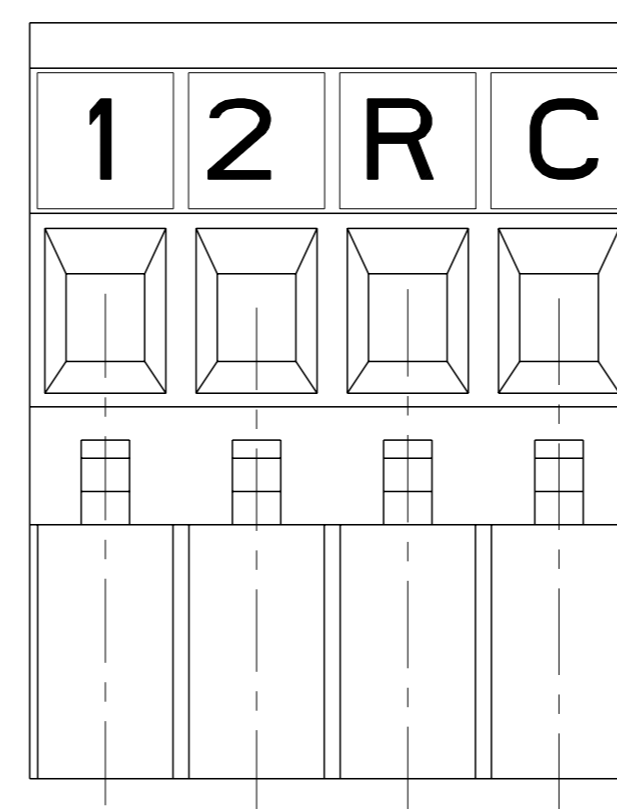
| REVISIONS | | | | |
|-----------|------|-------------|------|------|
| # | DATE | DESCRIPTION | DATE | APVD |
| - | - | SEE SHEET 1 | - | - |
| | | | | |
| | | | | |



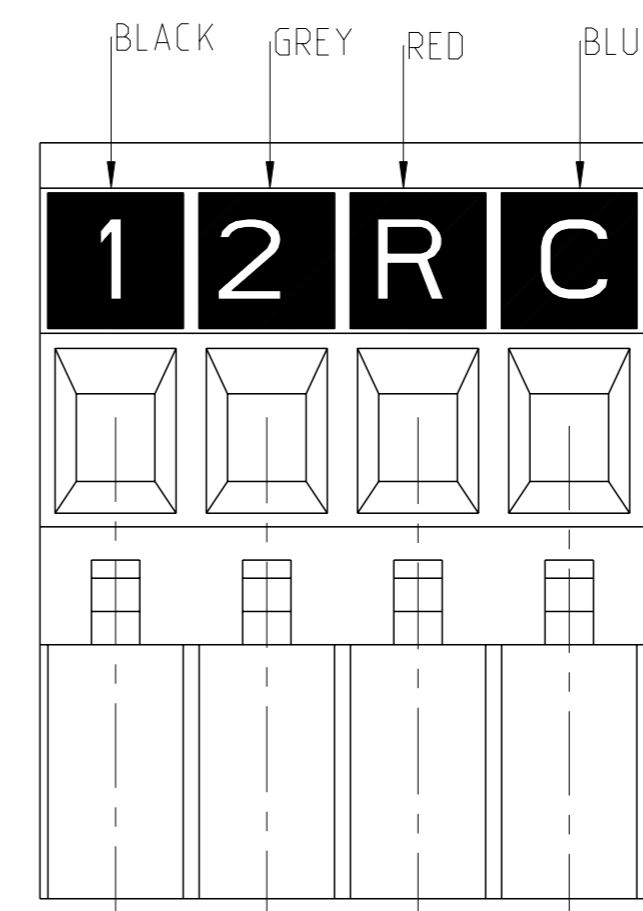
DETAIL A KEY



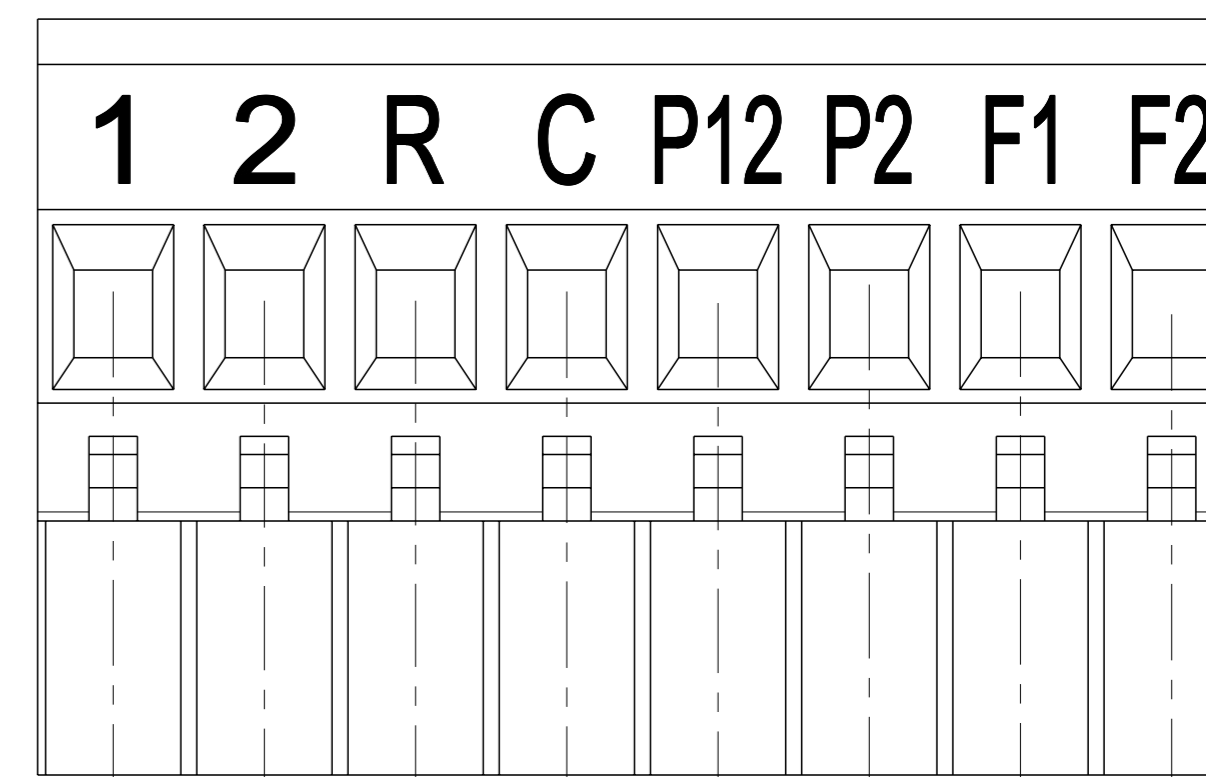
DETAIL B



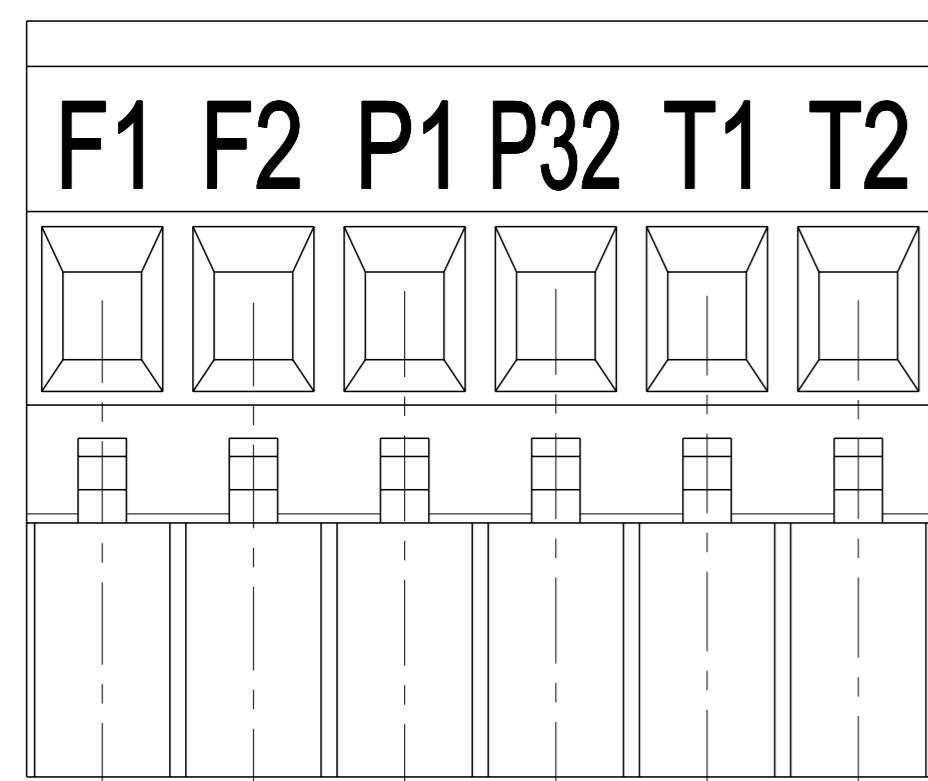
DETAIL C



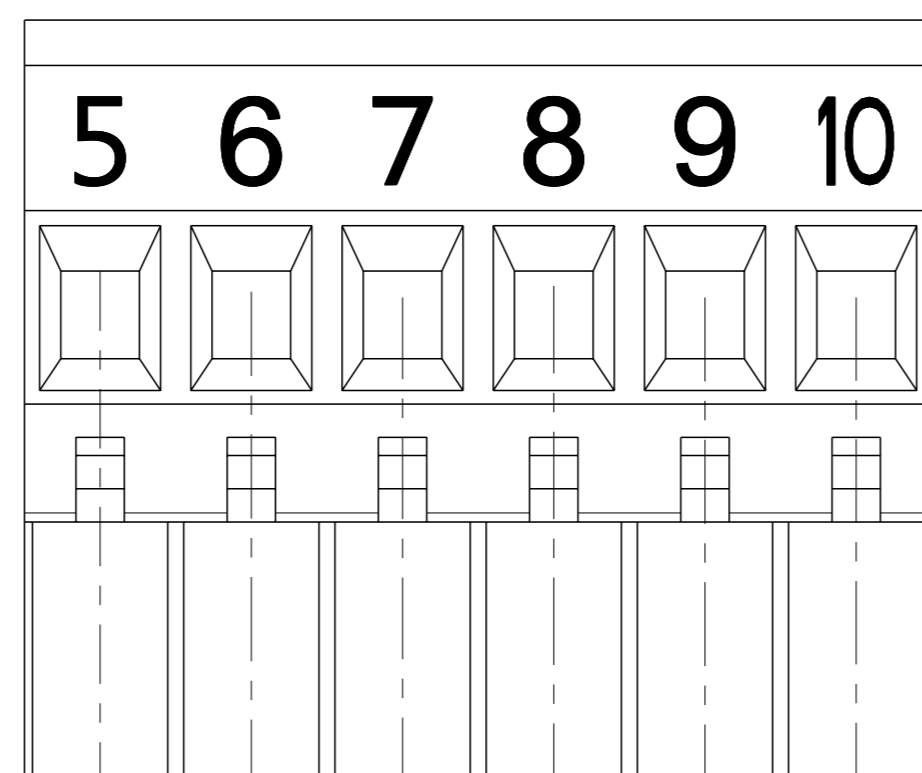
DETAIL D



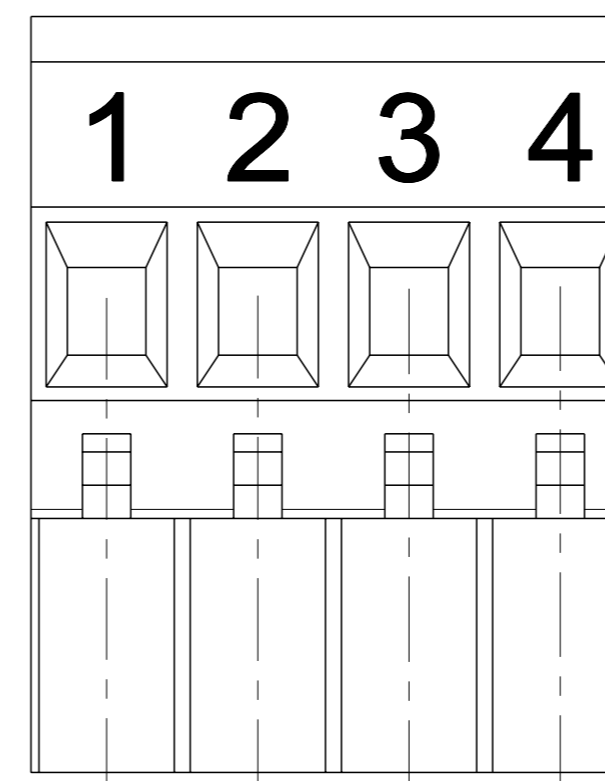
DETAIL E



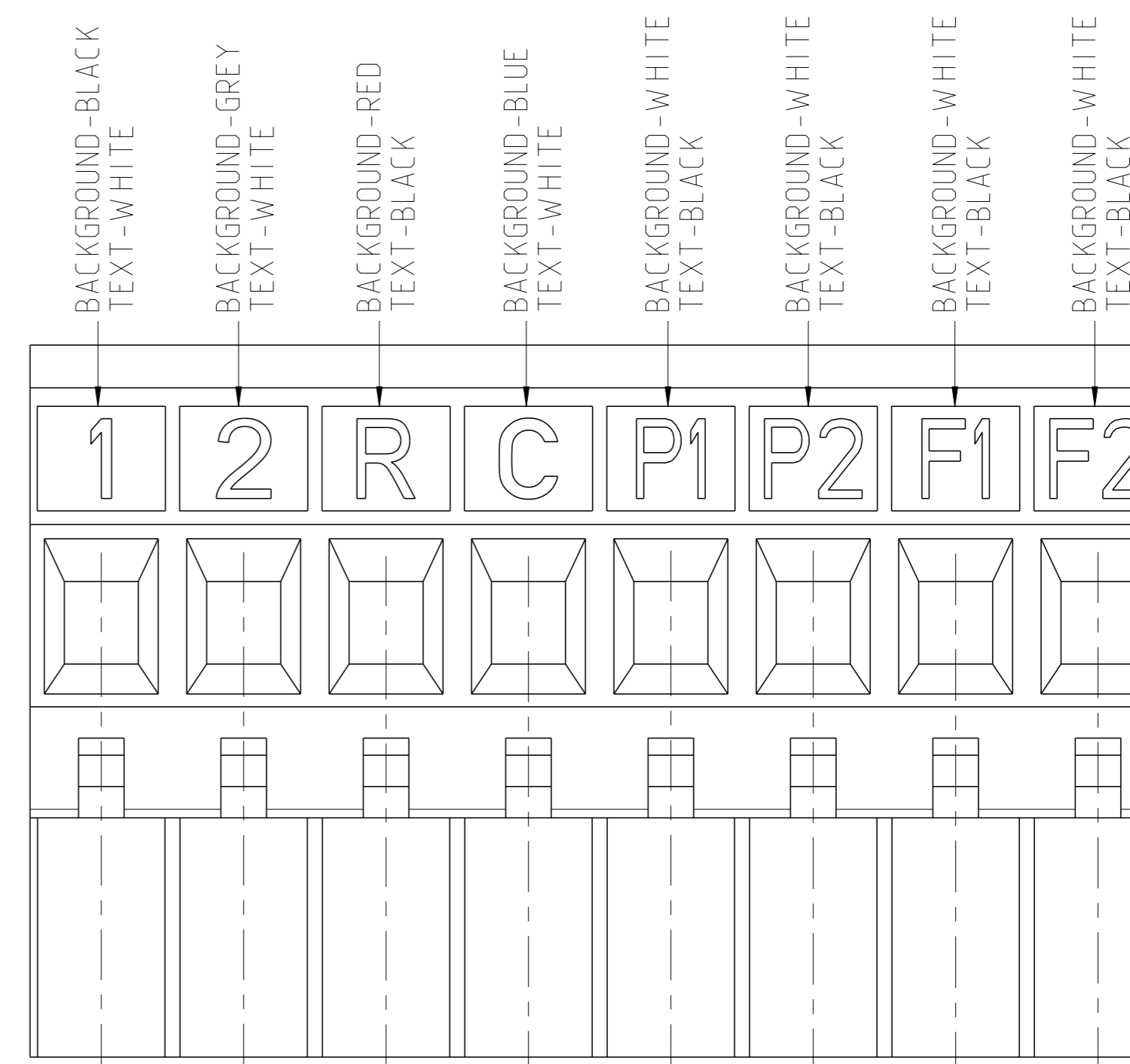
DETAIL F



DETAIL G



DETAIL H



DETAIL J

THIS DRAWING IS A CONTROLLED DOCUMENT.

| | | | |
|-------------|--|-------------------------------|---|
| DIMENSIONS: | TOLERANCES UNLESS OTHERWISE SPECIFIED: | OWN: E. ZANOLINI 27/MAR2001 | TE Connectivity NAME TERMINAL BLOCK, VERTICAL PLUG STACKING, LEFT HAND 5.08mm PITCH SIZE CAGE CODE DRAWING NO. RESTRICTED TO A1 00779 C=284041 |
| mm | 0 PLC ± | CHK: D. BIEVENOUR 27/MAR2001 | |
| | 1 PLC ±0.3 | APVD: D. BIEVENOUR 27/MAR2001 | |
| | 2 PLC ±0.25 | PRODUCT SPEC | |
| | 3 PLC ± | APPLICATION SPEC | |
| | 4 PLC ± | WEIGHT | |
| | ANGLES ± | CUSTOMER DRAWING | |
| | FINISH ± | SCALE 4:1 | |

X-ON Electronics

Largest Supplier of Electrical and Electronic Components

Click to view similar products for [Pluggable Terminal Blocks](#) category:

Click to view products by [TE Connectivity](#) manufacturer:

Other Similar products are found below :

[57.510.0053](#) [MC 1.5/ 6-ST-3.5 GY AU](#) [ET02015000J0G](#) [734-104](#) [734-302](#) [8-141-P](#) [8426620000](#) [860505](#) [860516](#) [860810](#) [GBPACX-12](#)
[93.731.4953.0](#) [PV05-5,08-K](#) [PVP03-3,50](#) [PVP04-3,50](#) [PVS02-5,00](#) [1-1986160-3](#) [1377680000](#) [1531000000](#) [1546228-5](#) [ELFH16150](#)
[ELFP03110](#) [ELFP10210](#) [ELFT06250](#) [ELVP03100](#) [1700101](#) [1700410](#) [1700425](#) [1702246](#) [1705229](#) [1710175](#) [1714537](#) [1717806](#) [1719600](#)
[1728941](#) [1734692](#) [1734795](#) [1736036](#) [1740194](#) [1740628](#) [1740990](#) [1746952](#) [1750207](#) [1752441](#) [1752865](#) [1754115](#) [1754144](#) [1756913](#)
[1760051](#) [1760336](#)