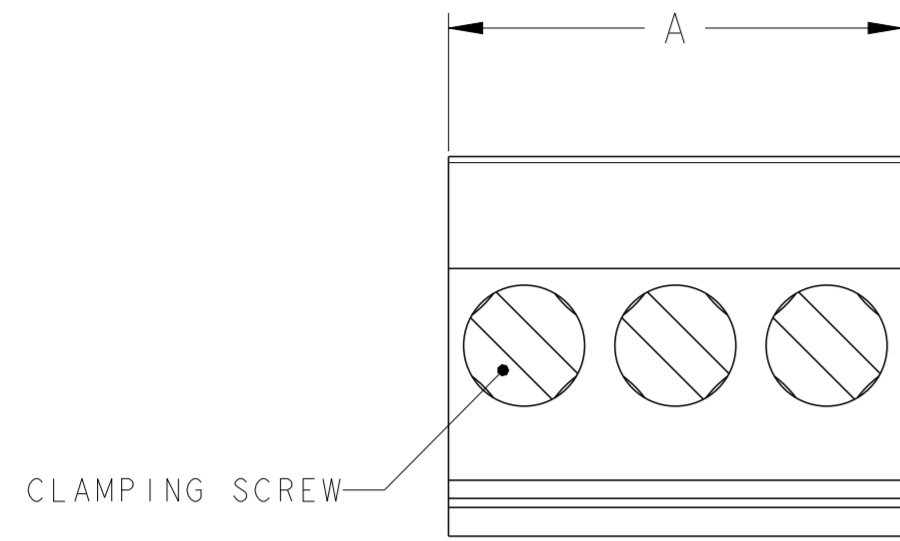


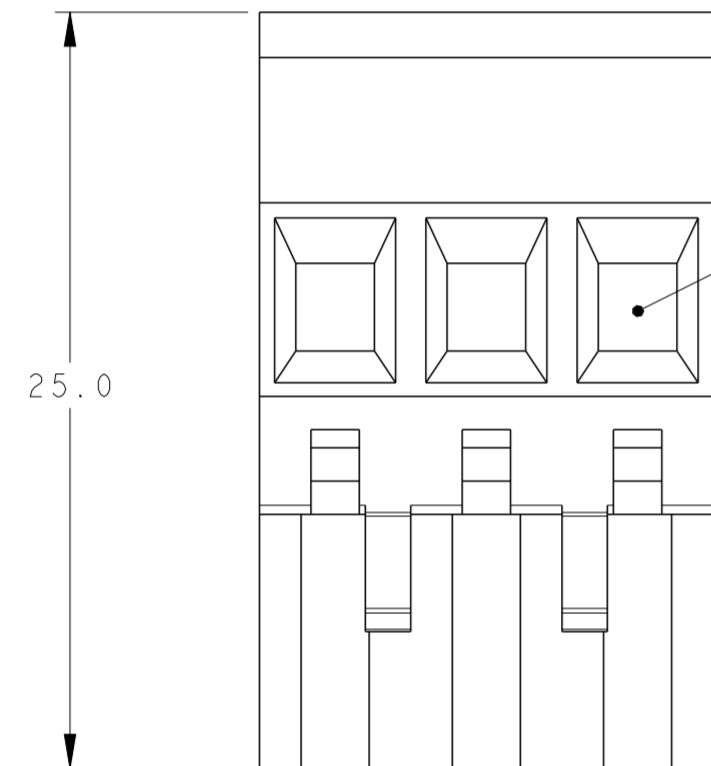
| P  | LTR | DESCRIPTION                             | DATE      | DWN | APVD |
|----|-----|---|-----------|-----|------|
| E4 |     | PART 3-284046-7 RELEASED FOR PRODUCTION | 19FEB2019 | RK  | PS   |
| E5 |     | 3-2 TO 3-6 PART OBSOLETE                | 30AUG2020 | DV  | PS   |

- MATERIALS AND FINISH**  
 HOUSING : PA 6-6, UL 94-V0, COLOR: GREEN.  
 CAGE CLAMP : COPPER ALLOY, NICKEL PLATED.  
 CONTACT SPRING : COPPER ALLOY, TIN PLATED.  
 CLAMPING SCREW : M3, COPPER ALLOY, NICKEL PLATED.
- MECHANICAL**  
 RECOMMENDED TIGHTENING TORQUE : 0.5 Nm  
 WIRE STRIPPING LENGTH : 6 - 7.5 mm
- ELECTRICAL**  
 WIRE RANGE : 12-30 AWG  
 VOLTAGE RATING : 300 V  
 CURRENT RATING : 15 A  
 CONTACT RESISTANCE : <15 m Ohm  
 INSULATION RESISTANCE : > 1000 M Ohm (500V DC)

- △4 NOT CUMULATIVE TOLERANCE.
- 5. INK MARKING, COLOR: BLACK.
- △6 WIRE ENTRY CLOSED
- △7 PRELIMINARY - NOT RELEASED FOR PRODUCTION
- △8 HOUSING: PA 6-6, UL 94-V0, COLOR:YELLOW

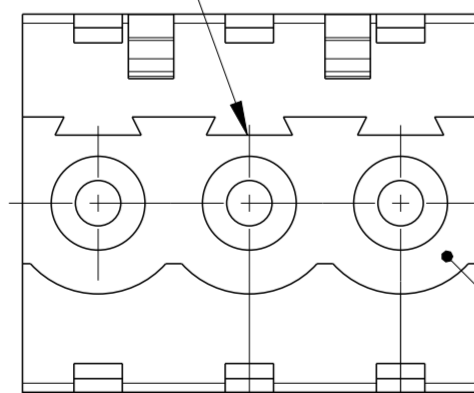


CLAMPING SCREW



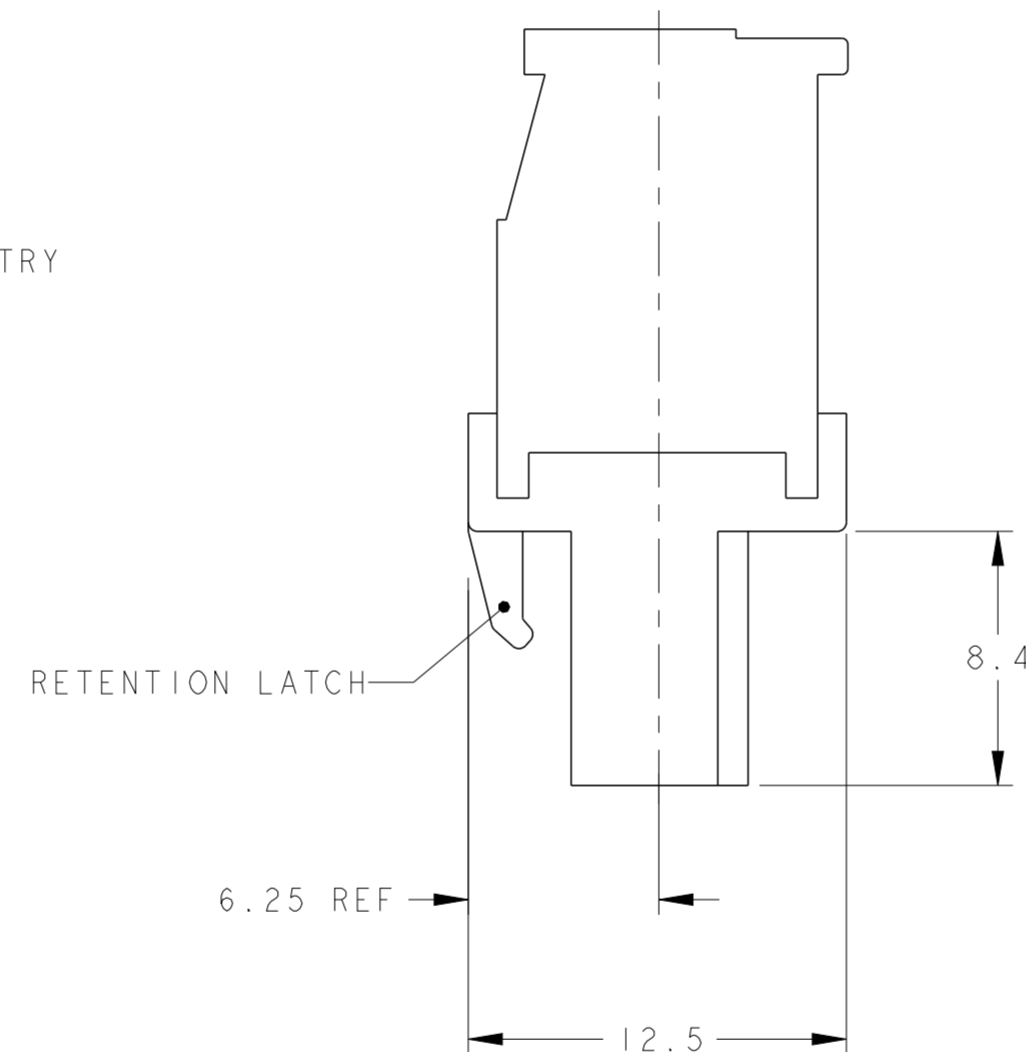
WIRE ENTRY

POLARIZATION KEY SLOT



MATING FACE

△4  
5.00±0.05  
TYP



RETENTION LATCH



OBSOLETE

| CONTACT FINISH                  | MARKING     | A     | NO OF POSN | PART NUMBER |
|---------------------------------|-------------|-------|------------|-------------|
| TIN PLATED                      | SEE SHEET 2 | 25.0  | 5          | 3-284046-7  |
| TIN PLATED                      | -           | 15.0  | 3          | 3-284046-6  |
| TIN PLATED                      | SEE SHEET 3 | 70.0  | 14         | 3-284046-5  |
| TIN PLATED                      | SEE SHEET 3 | 50.0  | 10         | 3-284046-4  |
| TIN PLATED                      | SEE SHEET 3 | 90.0  | 18         | 3-284046-3  |
| TIN PLATED                      | SEE SHEET 3 | 80.0  | 16         | 3-284046-2  |
| TIN PLATED                      | SEE SHEET 2 | 15.0  | 3          | 3-284046-1  |
| TIN PLATED                      | SEE SHEET 2 | 10.0  | 2          | 3-284046-0  |
| 0.00076[.000030]<br>SELECT GOLD | SEE SHEET 2 | 25.0  | 5          | 2-284046-9  |
|                                 | -           | 25.0  | 5          | 2-284046-8  |
|                                 | SEE SHEET 2 | 65.0  | 13         | 2-284046-7  |
|                                 | SEE SHEET 2 | 40.0  | 8          | 2-284046-6  |
|                                 | -           | 125.0 | 25         | 2-284046-5  |
|                                 | -           | 120.0 | 24         | 2-284046-4  |
|                                 | -           | 115.0 | 23         | 2-284046-3  |
|                                 | -           | 110.0 | 22         | 2-284046-2  |
|                                 | -           | 105.0 | 21         | 2-284046-1  |
|                                 | -           | 100.0 | 20         | 2-284046-0  |
|                                 | -           | 95.0  | 19         | 1-284046-9  |
|                                 | -           | 90.0  | 18         | 1-284046-8  |
|                                 | -           | 85.0  | 17         | 1-284046-7  |
|                                 | -           | 80.0  | 16         | 1-284046-6  |
|                                 | -           | 75.0  | 15         | 1-284046-5  |
|                                 | -           | 70.0  | 14         | 1-284046-4  |
|                                 | -           | 65.0  | 13         | 1-284046-3  |
|                                 | -           | 60.0  | 12         | 1-284046-2  |
|                                 | -           | 55.0  | 11         | 1-284046-1  |
|                                 | -           | 50.0  | 10         | 1-284046-0  |
|                                 | -           | 45.0  | 9          | 284046-9    |
|                                 | -           | 40.0  | 8          | 284046-8    |
|                                 | -           | 35.0  | 7          | 284046-7    |
|                                 | -           | 30.0  | 6          | 284046-6    |
|                                 | -           | 25.0  | 5          | 284046-5    |
|                                 | -           | 20.0  | 4          | 284046-4    |
|                                 | -           | 15.0  | 3          | 284046-3    |
|                                 | -           | 10.0  | 2          | 284046-2    |

THIS DRAWING IS A CONTROLLED DOCUMENT.

DWN S. WELDON 05FEB2003  
 CHK C. RICHARD 05FEB2003  
 APVD C. RICHARD 05FEB2003

**STE** TE Connectivity

NAME: TERMINAL BLOCK, VERTICAL PLUG, STACKING, RIGHT HAND, 5.00mm PITCH

SIZE: A2 CAGE CODE: 0779 DRAWING NO: C-284046 RESTRICTED TO: 3

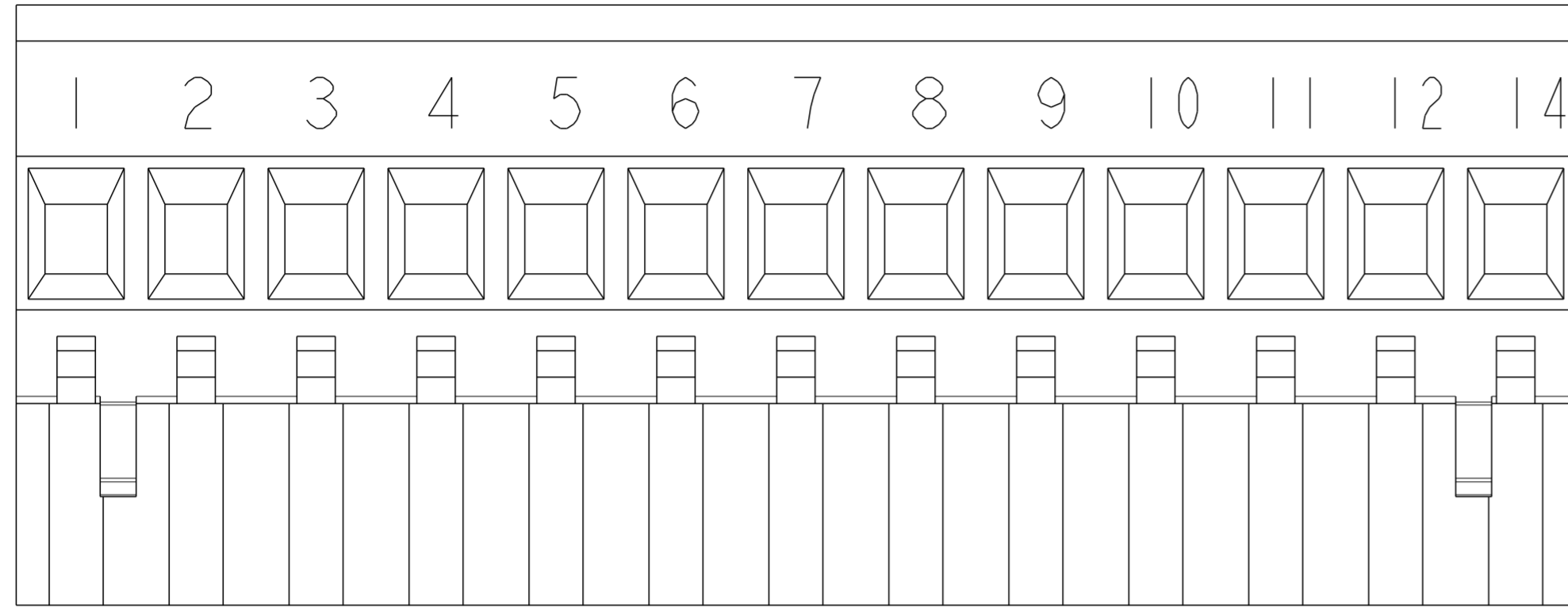
MATERIAL: SEE NOTES TOLERANCES UNLESS OTHERWISE SPECIFIED: SEE NOTES

0 PLC ±-  
 1 PLC ±0.30  
 2 PLC ±0.25  
 3 PLC ±-  
 4 PLC ±-  
 ANGLES ±2°

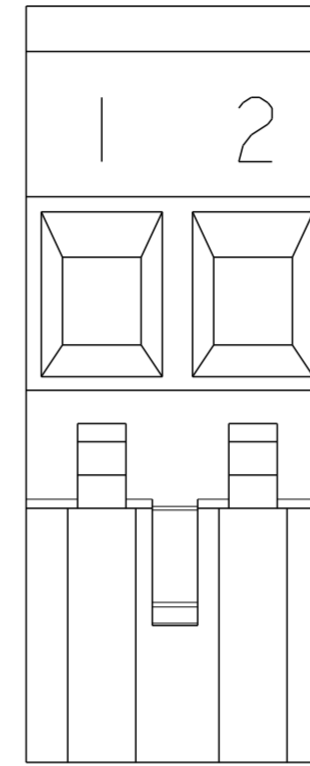
PRODUCT SPEC: -  
 APPLICATION SPEC: -  
 WEIGHT: -

CUSTOMER DRAWING SCALE: 4:1 SHEET: 1 OF 3 REV: E5

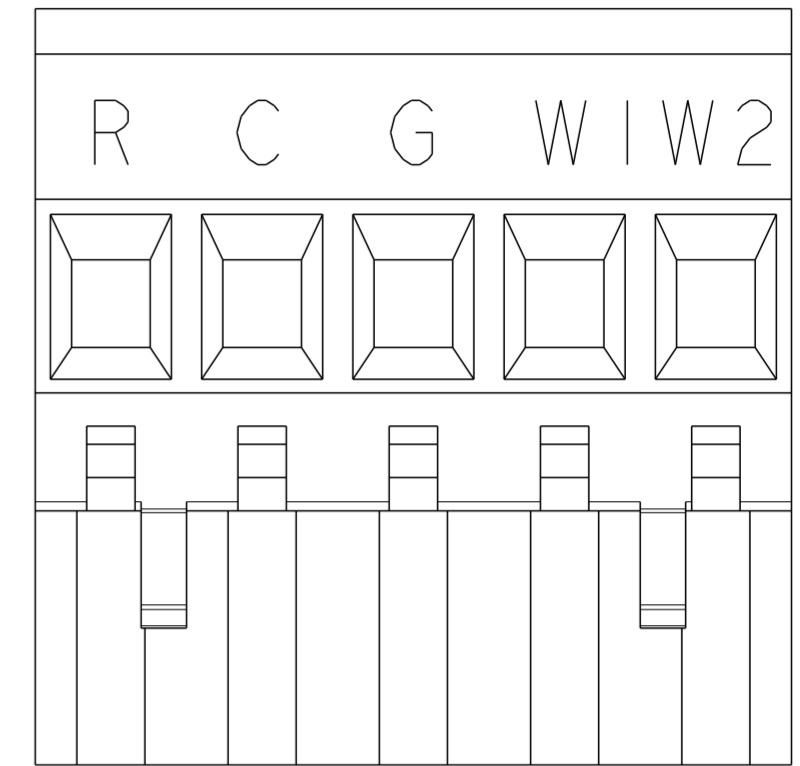
| P | LTR | DESCRIPTION | DATE | DWN | APVD |
|---|-----|-------------|------|-----|------|
| - |     | SEE SHEET 1 | -    | -   | -    |
|   |     |             |      |     |      |
|   |     |             |      |     |      |



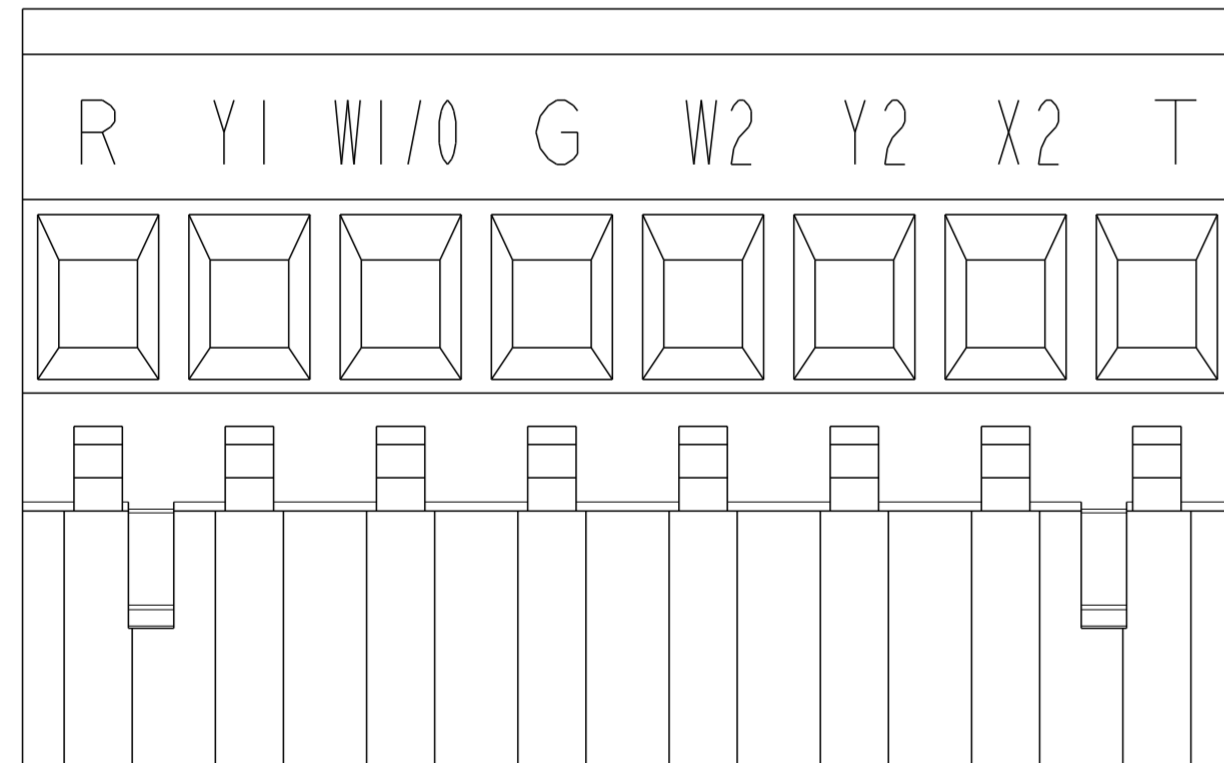
OBSOLETE ~~2-284046-7~~ AS SHOWN



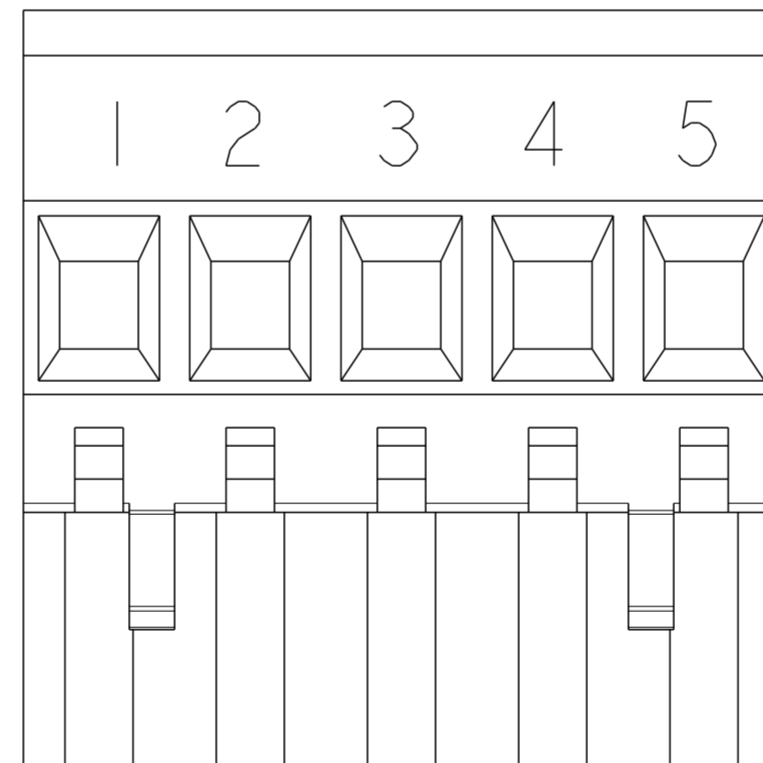
OBSOLETE ~~3-284046-0~~ AS SHOWN



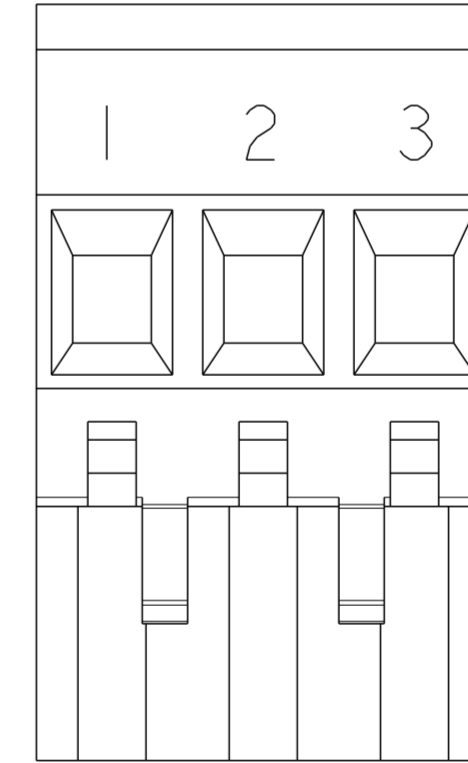
3-284046-7 AS SHOWN




OBSOLETE ~~2-284046-6~~ AS SHOWN



OBSOLETE ~~2-284046-9~~ AS SHOWN

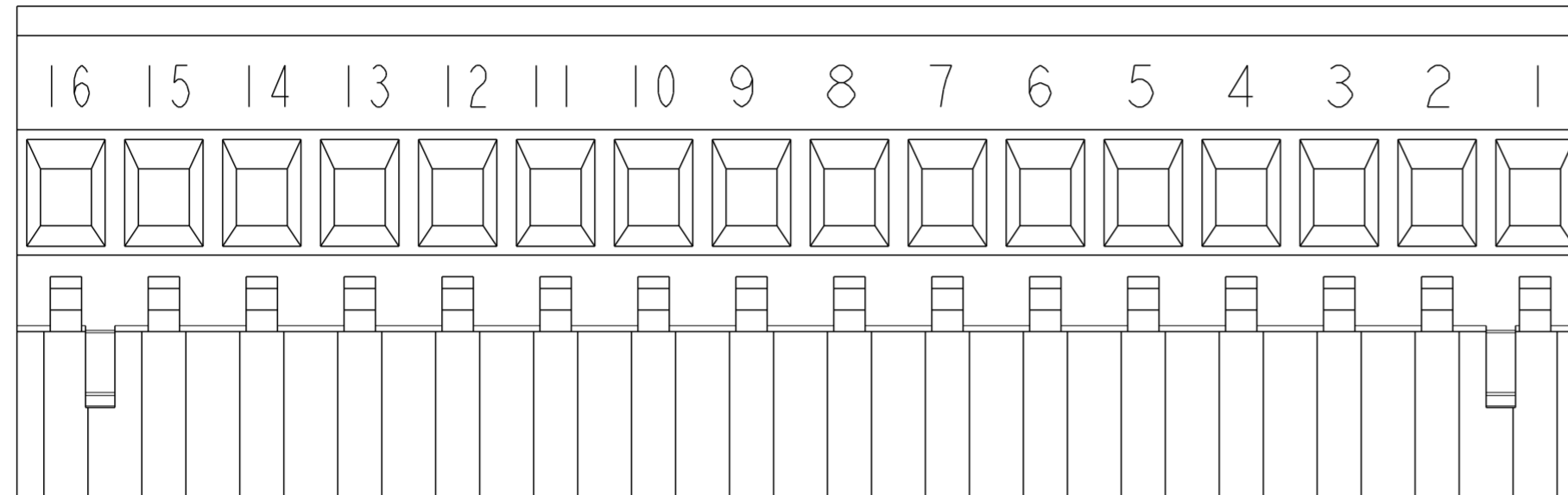


OBSOLETE ~~3-284046-1~~ AS SHOWN

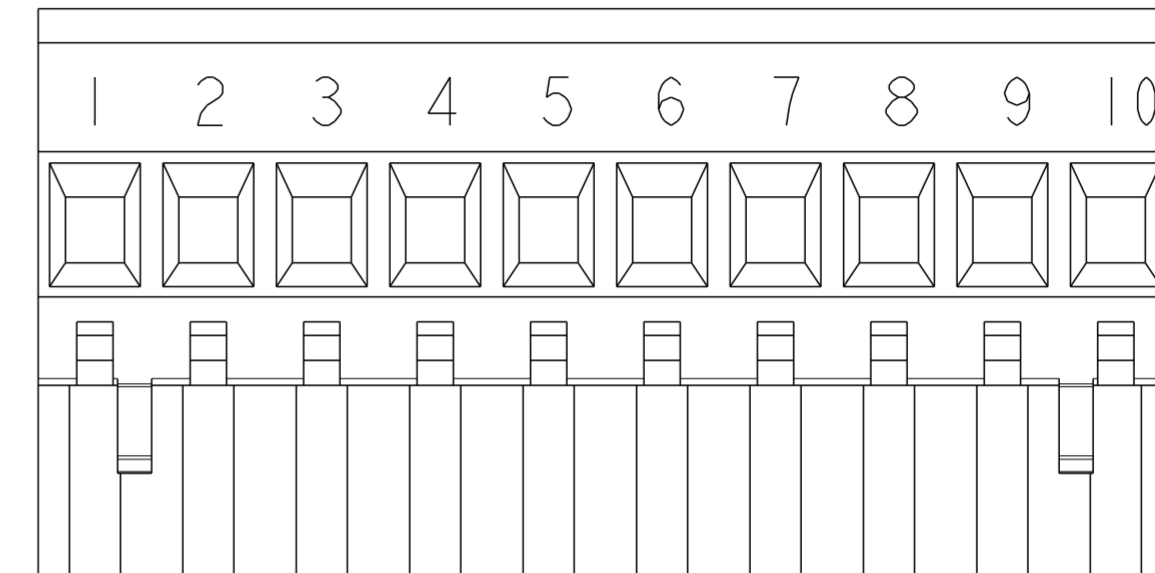
|   |  |                                 |   |
|---|--|---------------------------------|---|
| THIS DRAWING IS A CONTROLLED DOCUMENT.  |  | DWN<br>S. WELDON<br>05FEB2003   |  TE Connectivity |
| DIMENSIONS:<br>mm   |  | CHK<br>C. RICHARD<br>05FEB2003  |   |
| TOLERANCES UNLESS OTHERWISE SPECIFIED:<br>0 PLC ±<br>1 PLC ±0.30<br>2 PLC ±0.25<br>3 PLC ±<br>4 PLC ± |  | APVD<br>C. RICHARD<br>05FEB2003 | NAME<br>TERMINAL BLOCK, VERTICAL PLUG,<br>STACKING, RIGHT HAND,<br>5.00mm PITCH                       |
| MATERIAL<br>SEE NOTES   |  | PRODUCT SPEC<br>-               | SIZE<br>A200779   |
| FINISH<br>SEE NOTES   |  | APPLICATION SPEC<br>-           | DRAWING NO<br>C-284046  |
|   |  | WEIGHT<br>-                     | RESTRICTED TO   |
|   |  | CUSTOMER DRAWING                | SCALE 4:1 SHEET 2 OF 3 REV E5   |

REVISIONS

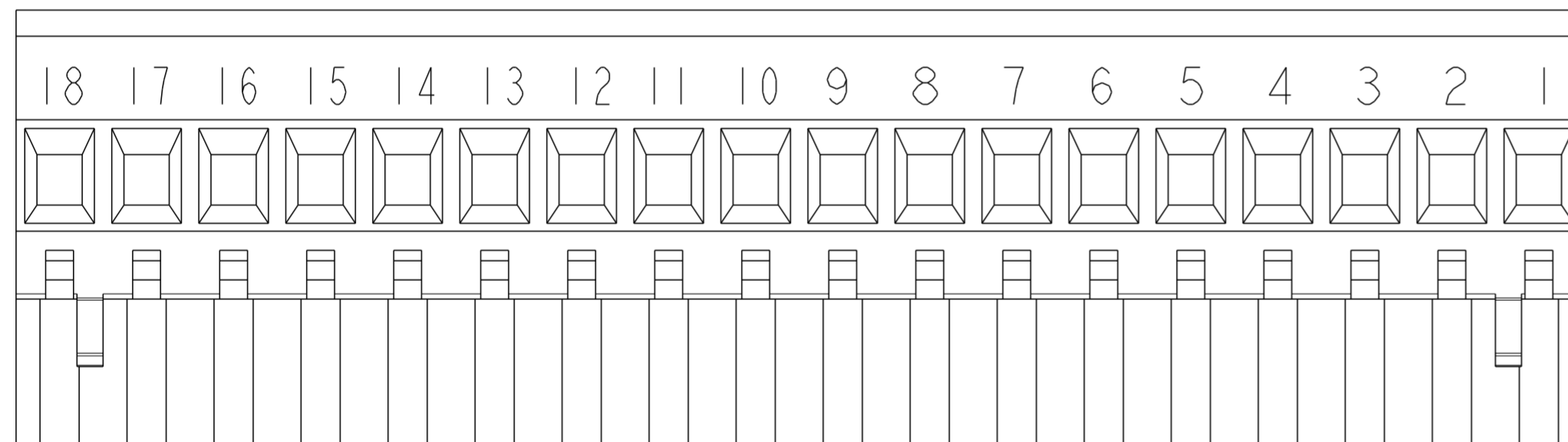
| P | LTR | DESCRIPTION | DATE | DWN | APVD |
|---|-----|-------------|------|-----|------|
| - |     | SEE SHEET 1 | -    | -   | -    |
|   |     |             |      |     |      |
|   |     |             |      |     |      |



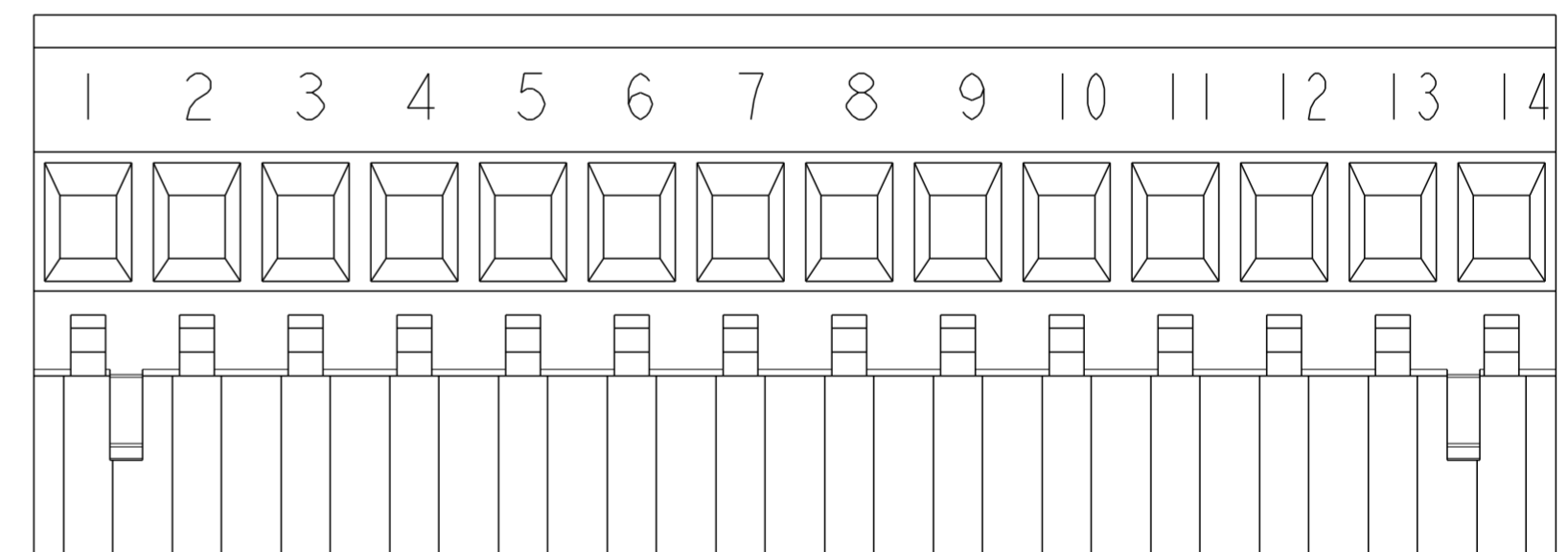
OBSOLETE ~~3-284046-2~~ AS SHOWN  $\triangle$ 6




OBSOLETE ~~3-284046-4~~ AS SHOWN



OBSOLETE ~~3-284046-3~~ AS SHOWN  $\triangle$ 6



OBSOLETE ~~3-284046-5~~ AS SHOWN

|   |  |                                 |   |                    |
|---|--|---------------------------------|---|--------------------|
| THIS DRAWING IS A CONTROLLED DOCUMENT.  |  | DWN<br>S. WELDON<br>05FEB2003   |  TE Connectivity |                    |
| DIMENSIONS:<br>mm   |  | CHK<br>C. RICHARD<br>05FEB2003  |   |                    |
| TOLERANCES UNLESS OTHERWISE SPECIFIED:  |  | APVD<br>C. RICHARD<br>05FEB2003 | NAME<br>TERMINAL BLOCK, VERTICAL PLUG,<br>STACKING, RIGHT HAND,<br>5.00mm PITCH                       |                    |
| 0 PLC ±<br>1 PLC ±0.30<br>2 PLC ±0.25<br>3 PLC ±<br>4 PLC ±<br>ANGLES ±2°<br>FINISH |  | PRODUCT SPEC<br>-               | SIZE<br>A2  | CAGE CODE<br>p0779 |
| MATERIAL<br>SEE NOTES   |  | APPLICATION SPEC<br>-           | DRAWING NO<br>C-284046  | RESTRICTED TO      |
| WEIGHT<br>-   |  | CUSTOMER DRAWING                | SCALE<br>4:1  | SHEET<br>3 OF 3    |
|   |  |                                 |   | REV<br>E5          |

## X-ON Electronics

Largest Supplier of Electrical and Electronic Components

*Click to view similar products for [Pluggable Terminal Blocks](#) category:*

*Click to view products by [TE Connectivity](#) manufacturer:*

Other Similar products are found below :

[57.510.0053](#) [MC 1.5/ 6-ST-3.5 GY AU](#) [ET02015000J0G](#) [734-104](#) [734-302](#) [8-141-P](#) [8426620000](#) [860505](#) [860516](#) [860810](#) [GBPACX-12](#)  
[PV05-5,08-K](#) [PVP02-5,00](#) [PVP03-3,50](#) [PVP04-3,50](#) [PVS02-5,00](#) [1-1986160-3](#) [1377680000](#) [1531000000](#) [1546228-5](#) [ELFH16150](#)  
[ELFP03110](#) [ELFP10210](#) [ELFT06250](#) [ELVP03100](#) [1700101](#) [1700410](#) [1700425](#) [1702246](#) [1705229](#) [1710175](#) [1714537](#) [1717806](#) [1719600](#)  
[1728941](#) [1734692](#) [1734795](#) [1736036](#) [1740194](#) [1740628](#) [1740990](#) [1746952](#) [1750207](#) [1752441](#) [1752865](#) [1754115](#) [1754144](#) [1756913](#)  
[1760051](#) [1760336](#)