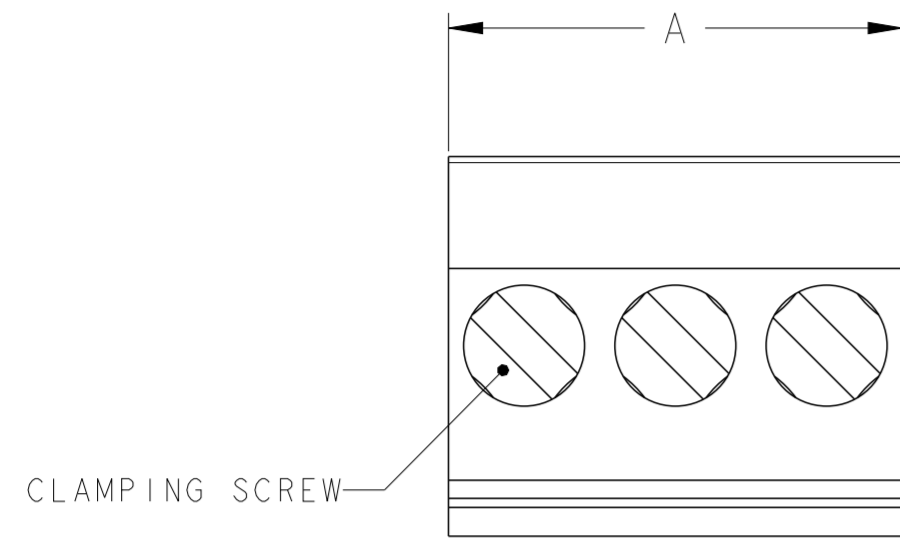


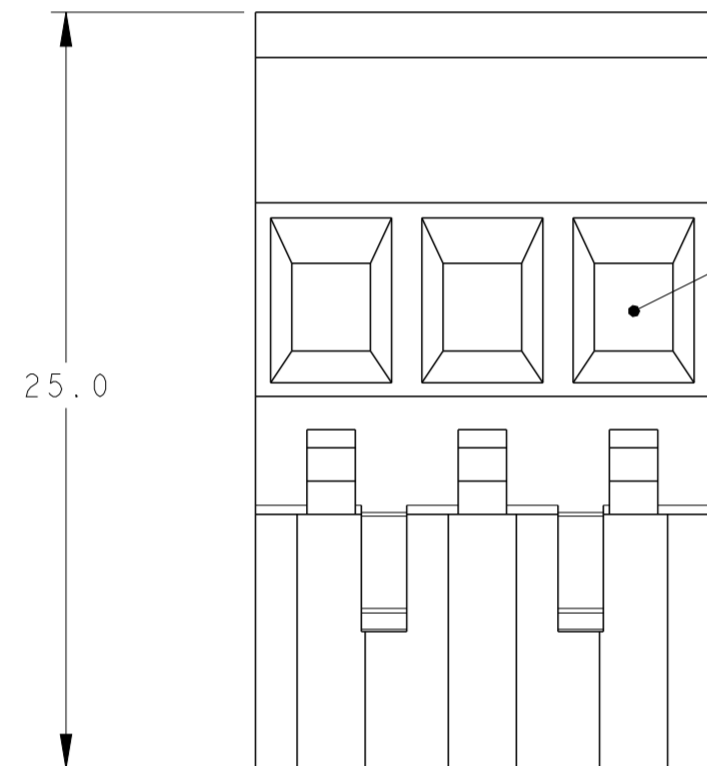
P	LTR	DESCRIPTION	DATE	DWN	APVD
E4		PART 3-284046-7 RELEASED FOR PRODUCTION	19FEB2019	RK	PS
E5		3-2 TO 3-6 PART OBSOLETE	30AUG2020	DV	PS

- MATERIALS AND FINISH**
 HOUSING : PA 6-6, UL 94-V0, COLOR: GREEN.
 CAGE CLAMP : COPPER ALLOY, NICKEL PLATED.
 CONTACT SPRING : COPPER ALLOY, TIN PLATED.
 CLAMPING SCREW : M3, COPPER ALLOY, NICKEL PLATED.
- MECHANICAL**
 RECOMMENDED TIGHTENING TORQUE : 0.5 Nm
 WIRE STRIPPING LENGTH : 6 - 7.5 mm
- ELECTRICAL**
 WIRE RANGE : 12-30 AWG
 VOLTAGE RATING : 300 V
 CURRENT RATING : 15 A
 CONTACT RESISTANCE : <15 m Ohm
 INSULATION RESISTANCE : > 1000 M Ohm (500V DC)

- △4 NOT CUMULATIVE TOLERANCE.
- 5. INK MARKING, COLOR: BLACK.
- △6 WIRE ENTRY CLOSED
- △7 PRELIMINARY - NOT RELEASED FOR PRODUCTION
- △8 HOUSING: PA 6-6, UL 94-V0, COLOR:YELLOW

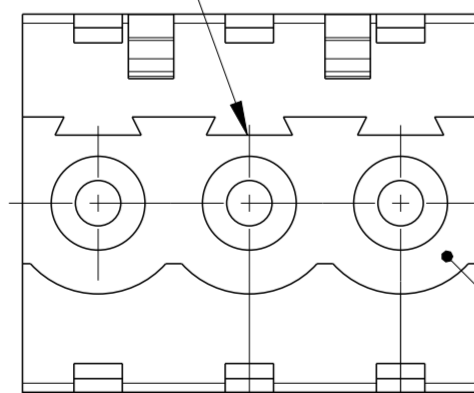


CLAMPING SCREW



WIRE ENTRY

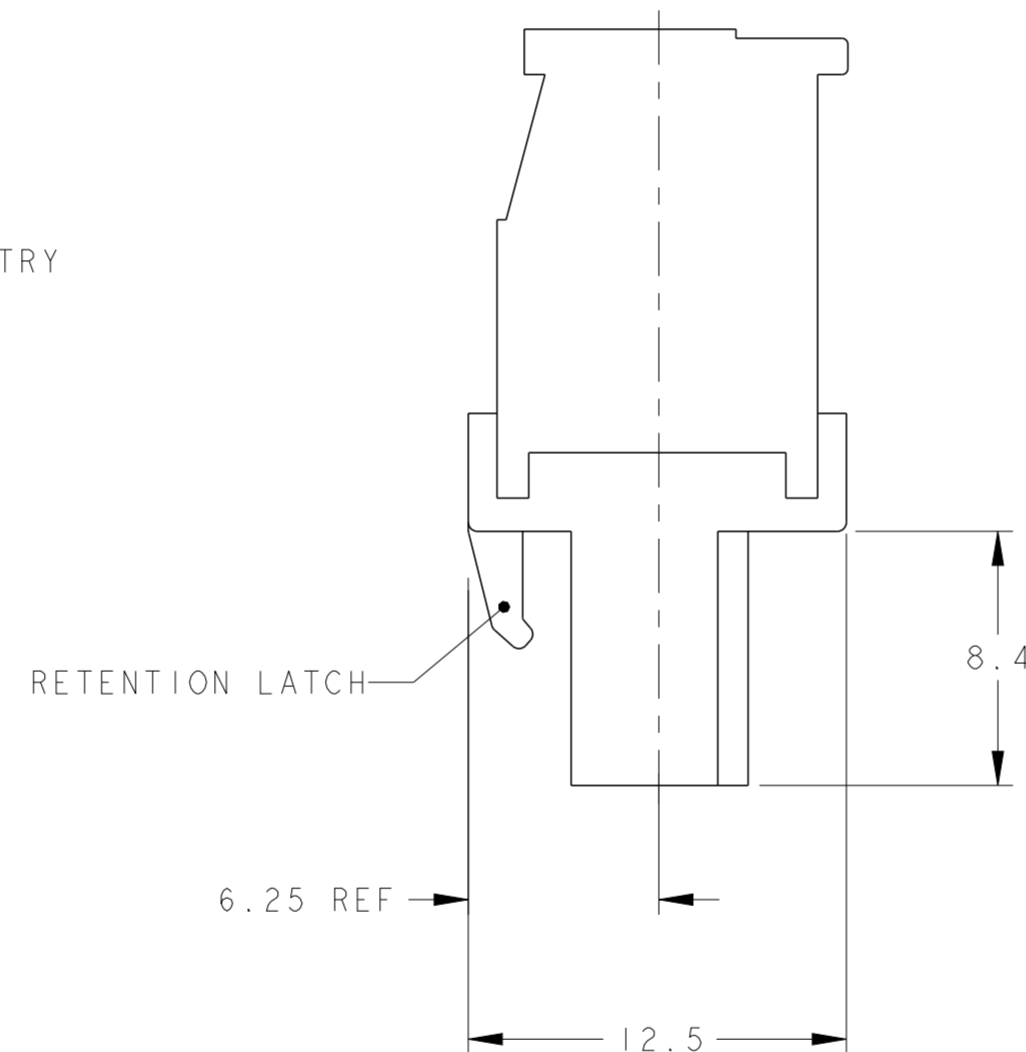
POLARIZATION KEY SLOT



MATING FACE

△4
5.00±0.05
TYP

2.50 REF
TYP



RETENTION LATCH



OBSOLETE

TIN PLATED	SEE SHEET 2	25.0	5	3-284046-7
TIN PLATED	-	15.0	3	3-284046-6
TIN PLATED	SEE SHEET 3	70.0	14	3-284046-5
TIN PLATED	SEE SHEET 3	50.0	10	3-284046-4
TIN PLATED	SEE SHEET 3	90.0	18	3-284046-3
TIN PLATED	SEE SHEET 3	80.0	16	3-284046-2
TIN PLATED	SEE SHEET 2	15.0	3	3-284046-1
TIN PLATED	SEE SHEET 2	10.0	2	3-284046-0
0.00076[.000030] SELECT GOLD	SEE SHEET 2	25.0	5	2-284046-9
	-	25.0	5	2-284046-8
	SEE SHEET 2	65.0	13	2-284046-7
	SEE SHEET 2	40.0	8	2-284046-6
	-	125.0	25	2-284046-5
	-	120.0	24	2-284046-4
	-	115.0	23	2-284046-3
	-	110.0	22	2-284046-2
	-	105.0	21	2-284046-1
	-	100.0	20	2-284046-0
	-	95.0	19	1-284046-9
	-	90.0	18	1-284046-8
	-	85.0	17	1-284046-7
	-	80.0	16	1-284046-6
	-	75.0	15	1-284046-5
	-	70.0	14	1-284046-4
	-	65.0	13	1-284046-3
	-	60.0	12	1-284046-2
	-	55.0	11	1-284046-1
	-	50.0	10	1-284046-0
	-	45.0	9	284046-9
	-	40.0	8	284046-8
	-	35.0	7	284046-7
	-	30.0	6	284046-6
	-	25.0	5	284046-5
	-	20.0	4	284046-4
	-	15.0	3	284046-3
	-	10.0	2	284046-2

TIN PLATED

CONTACT
FINISH

MARKING

A

NO OF
POSN

PART
NUMBER

THIS DRAWING IS A CONTROLLED DOCUMENT.

DWN S. WELDON 05FEB2003

CHK C. RICHARD 05FEB2003

APVD C. RICHARD 05FEB2003

PRODUCT SPEC

APPLICATION SPEC

WEIGHT

CUSTOMER DRAWING

NAME
STE TE Connectivity

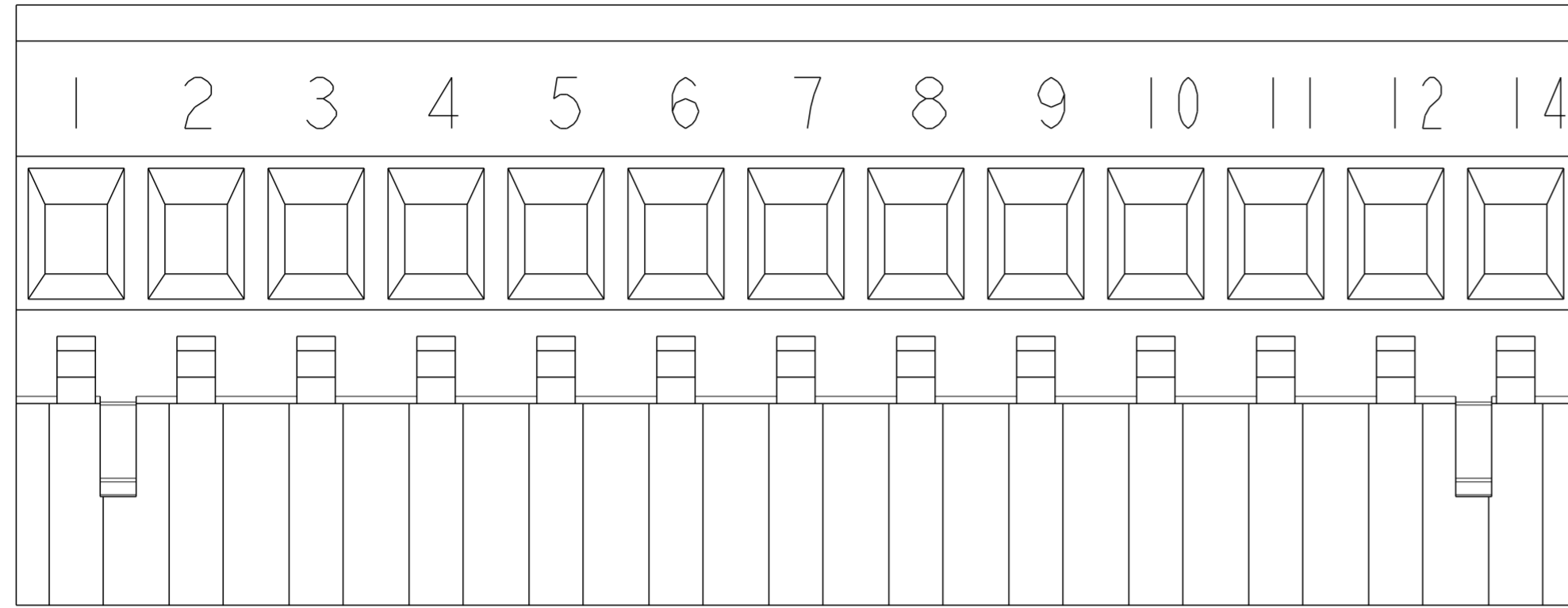
TERMINAL BLOCK, VERTICAL PLUG,
STACKING, RIGHT HAND,
5.00mm PITCH

SIZE A2 CAGE CODE 0779 DRAWING NO C-284046 RESTRICTED TO

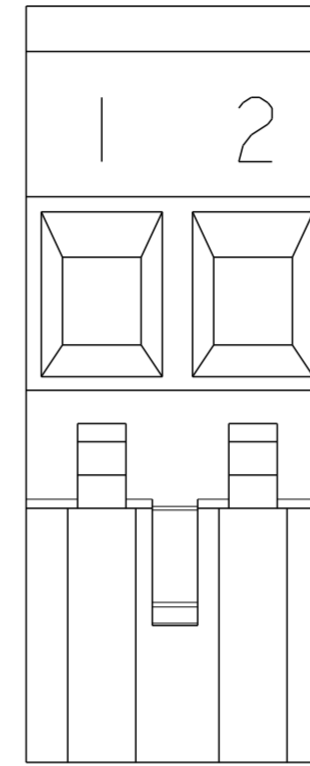
SCALE 4:1 SHEET 1 OF 3 REV E5

DIMENSIONS:	TOLERANCES UNLESS OTHERWISE SPECIFIED:
mm	0 PLC ±
	1 PLC ±0.30
	2 PLC ±0.25
	3 PLC ±
	4 PLC ±
	ANGLES ±2°
MATERIAL	FINISH
SEE NOTES	SEE NOTES

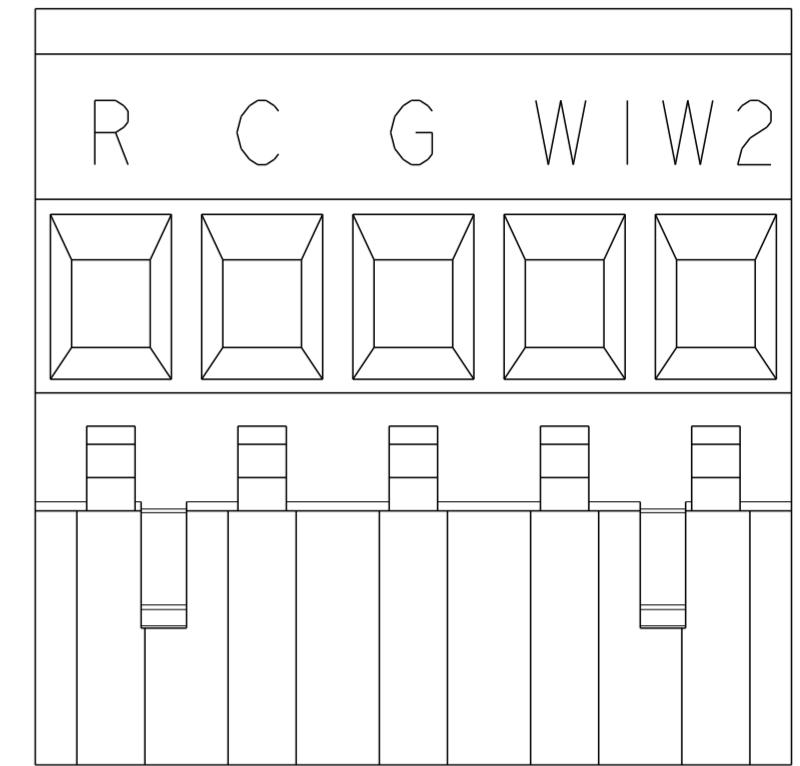
P	LTR	DESCRIPTION	DATE	DWN	APVD
-		SEE SHEET 1	-	-	-



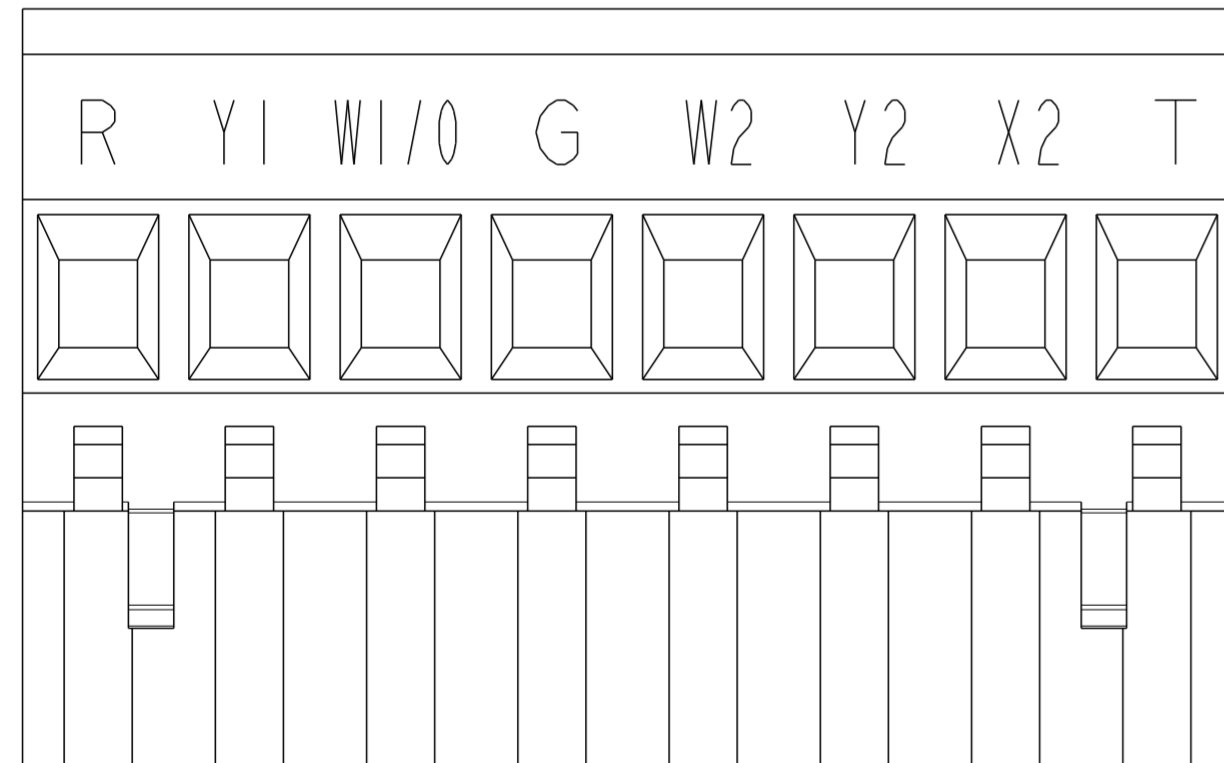
OBSOLETE ~~2-284046-7~~ AS SHOWN



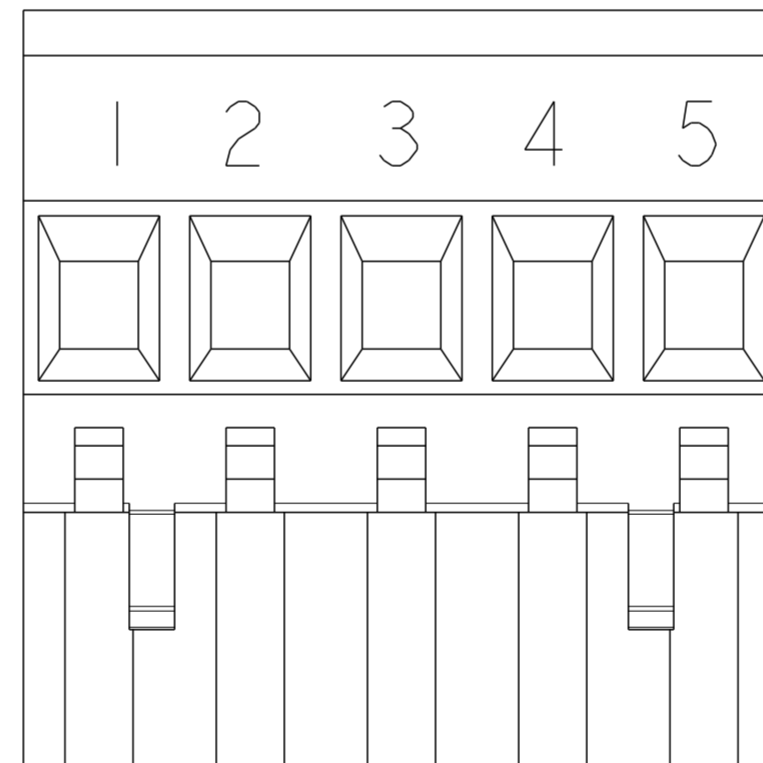
OBSOLETE ~~3-284046-0~~ AS SHOWN



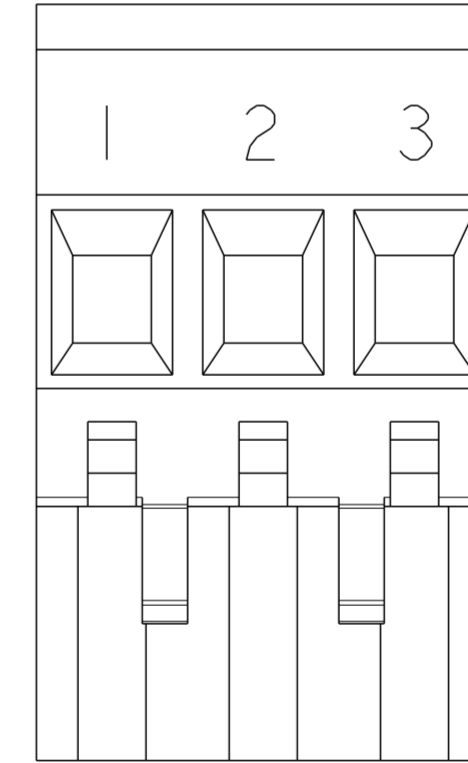
3-284046-7 AS SHOWN




OBSOLETE ~~2-284046-6~~ AS SHOWN



OBSOLETE ~~2-284046-9~~ AS SHOWN

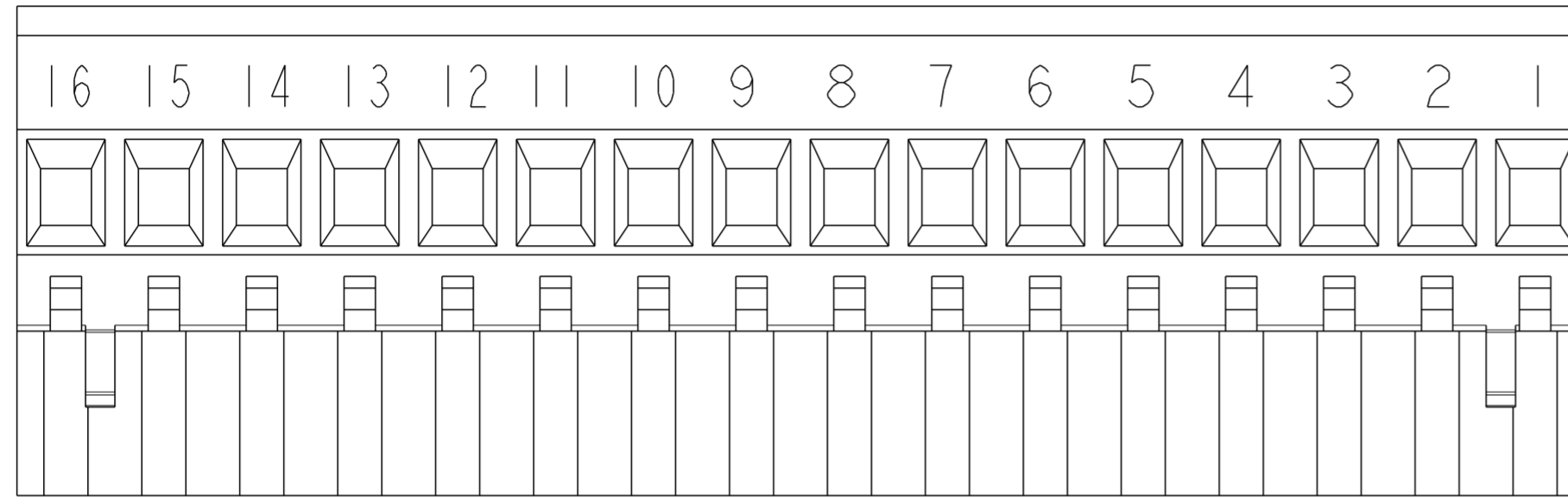


OBSOLETE ~~3-284046-1~~ AS SHOWN

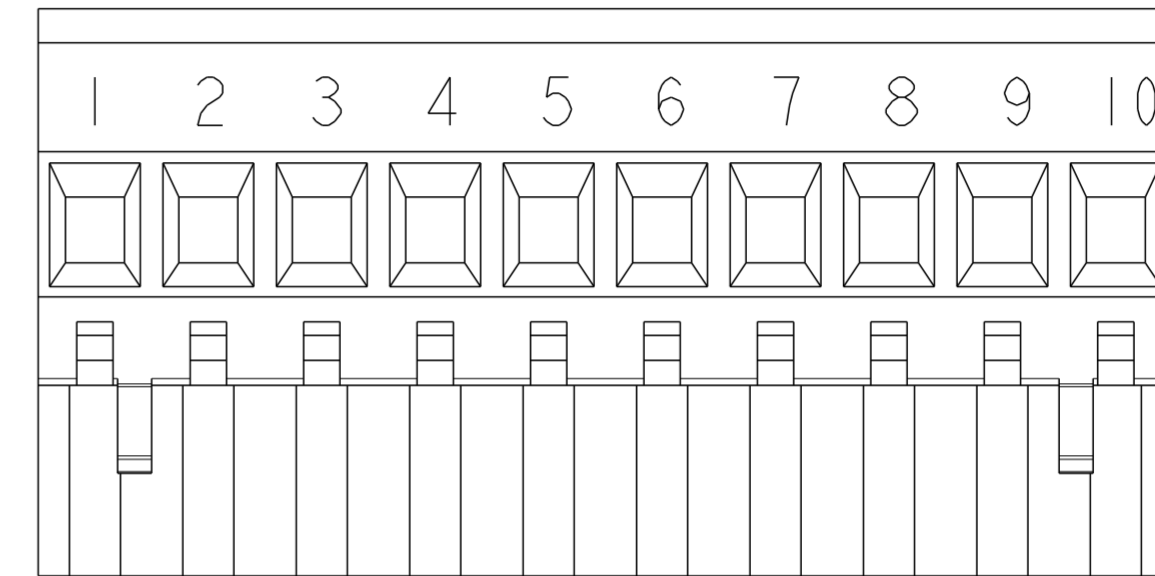
THIS DRAWING IS A CONTROLLED DOCUMENT.		DWN S. WELDON 05FEB2003	 TE Connectivity	
DIMENSIONS: mm		CHK C. RICHARD 05FEB2003		
TOLERANCES UNLESS OTHERWISE SPECIFIED:		APVD C. RICHARD 05FEB2003	NAME TERMINAL BLOCK, VERTICAL PLUG, STACKING, RIGHT HAND, 5.00mm PITCH	
0 PLC ± 1 PLC ±0.30 2 PLC ±0.25 3 PLC ± 4 PLC ± ANGLES ±2° FINISH		PRODUCT SPEC -	SIZE CAGE CODE DRAWING NO RESTRICTED TO	
MATERIAL SEE NOTES		APPLICATION SPEC -	A20779C-284046	
FINISH SEE NOTES		WEIGHT -	SCALE 4:1 SHEET 2 OF 3 REV E5	
CUSTOMER DRAWING				

REVISIONS

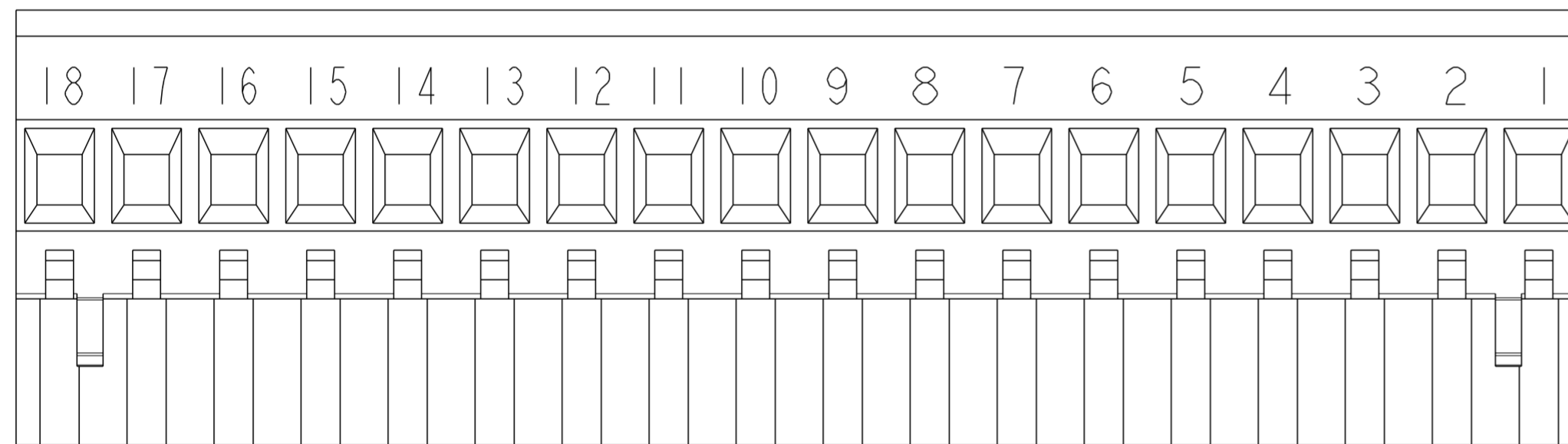
P	LTR	DESCRIPTION	DATE	DWN	APVD
-		SEE SHEET 1	-	-	-



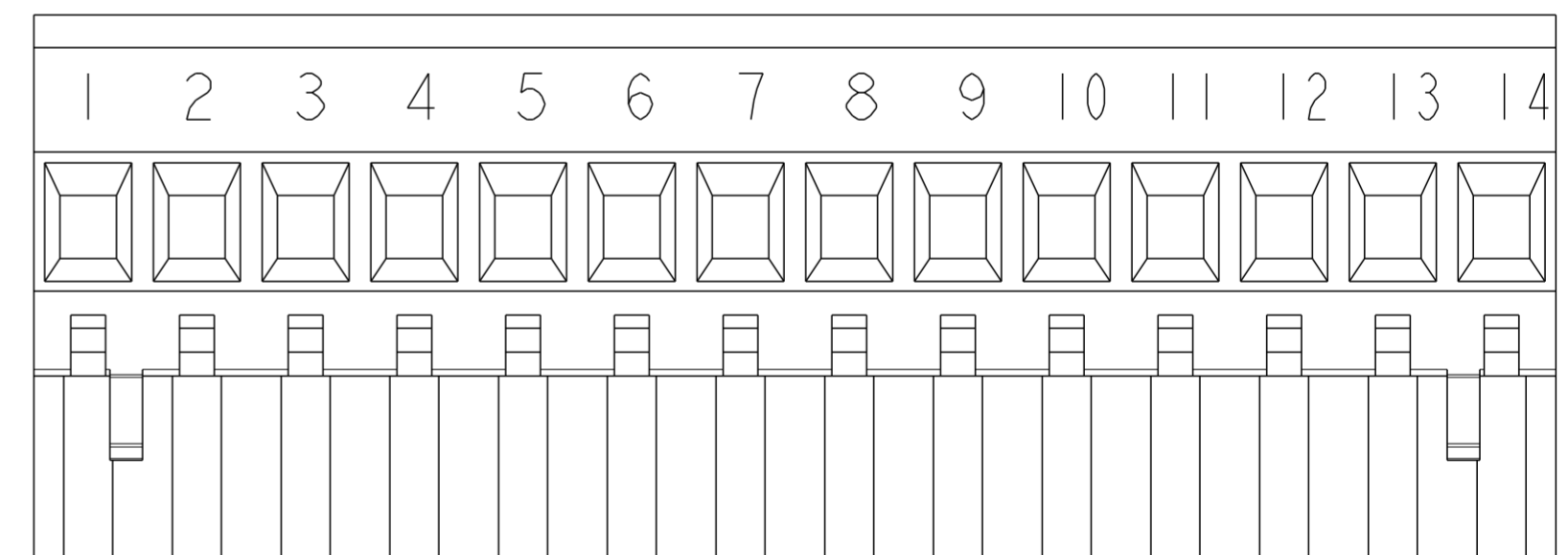
OBSOLETE ~~3-284046-2~~ AS SHOWN \triangle 6




OBSOLETE ~~3-284046-4~~ AS SHOWN



OBSOLETE ~~3-284046-3~~ AS SHOWN \triangle 6



OBSOLETE ~~3-284046-5~~ AS SHOWN

THIS DRAWING IS A CONTROLLED DOCUMENT.		DWN S. WELDON 05FEB2003	 TE Connectivity	
DIMENSIONS: mm		CHK C. RICHARD 05FEB2003		
TOLERANCES UNLESS OTHERWISE SPECIFIED:		APVD C. RICHARD 05FEB2003	NAME TERMINAL BLOCK, VERTICAL PLUG, STACKING, RIGHT HAND, 5.00mm PITCH	
0 PLC ± 1 PLC ±0.30 2 PLC ±0.25 3 PLC ± 4 PLC ± ANGLES ±2° FINISH		PRODUCT SPEC -	SIZE A2	CAGE CODE p0779
MATERIAL SEE NOTES		APPLICATION SPEC -	DRAWING NO C-284046	RESTRICTED TO
WEIGHT -		CUSTOMER DRAWING	SCALE 4:1	SHEET 3 OF 3
				REV E5

X-ON Electronics

Largest Supplier of Electrical and Electronic Components

Click to view similar products for [Pluggable Terminal Blocks](#) category:

Click to view products by [TE Connectivity](#) manufacturer:

Other Similar products are found below :

[57.510.0053](#) [MC 1.5/ 6-ST-3.5 GY AU](#) [734-104](#) [734-302](#) [8-141-P](#) [8426620000](#) [860505](#) [860516](#) [860810](#) [GBPACX-12](#) [93.731.4953.0](#) [PV05-5,08-K](#) [PVP02-5,00](#) [PVP03-3,50](#) [PVP04-3,50](#) [PVS02-5,00](#) [1-1986160-3](#) [1377680000](#) [1531000000](#) [1546228-5](#) [ELFH16150](#) [ELFP03110](#) [ELFP10210](#) [ELFT06250](#) [ELVP03100](#) [1700101](#) [1700410](#) [1700425](#) [1702246](#) [1705229](#) [1710175](#) [1714537](#) [1717806](#) [1719600](#) [1728941](#) [1734692](#) [1734795](#) [1736036](#) [1740194](#) [1740291](#) [1740628](#) [1740990](#) [1746952](#) [1750207](#) [1752441](#) [1752865](#) [1754115](#) [1754144](#) [1756913](#) [1760051](#)