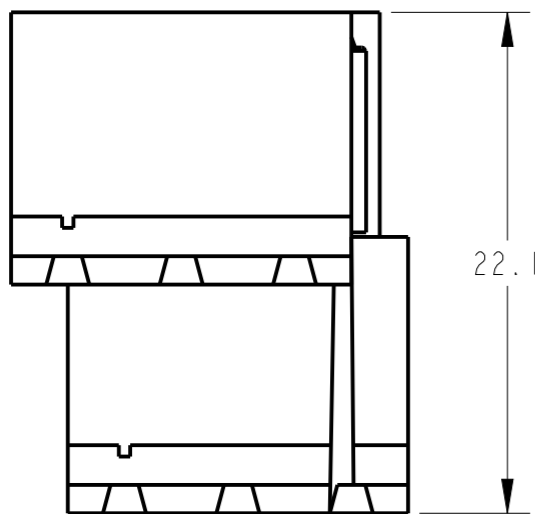
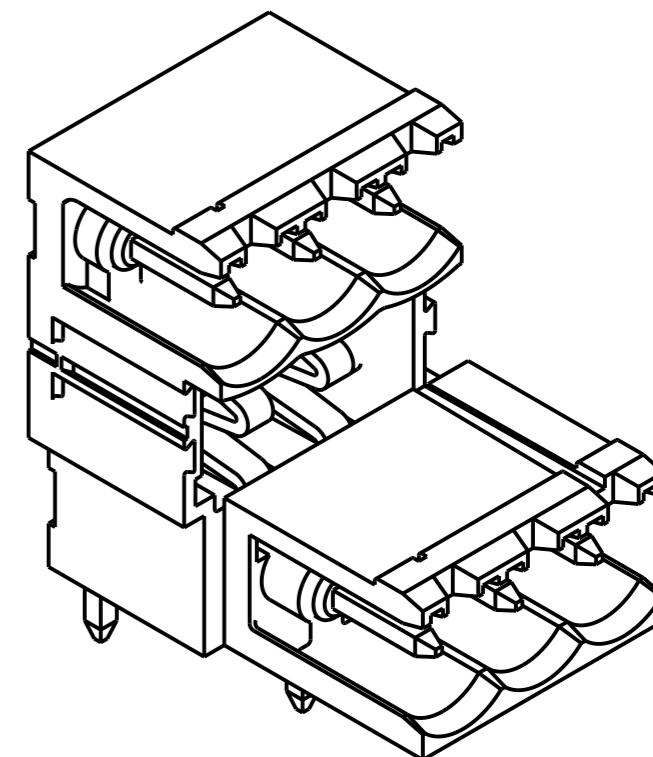


P	LTR	DESCRIPTION	DATE	DWN	APVD
	D	DESIGN IMPROVEMENT IN NEW MOLD	15JUN2020	DV	PS

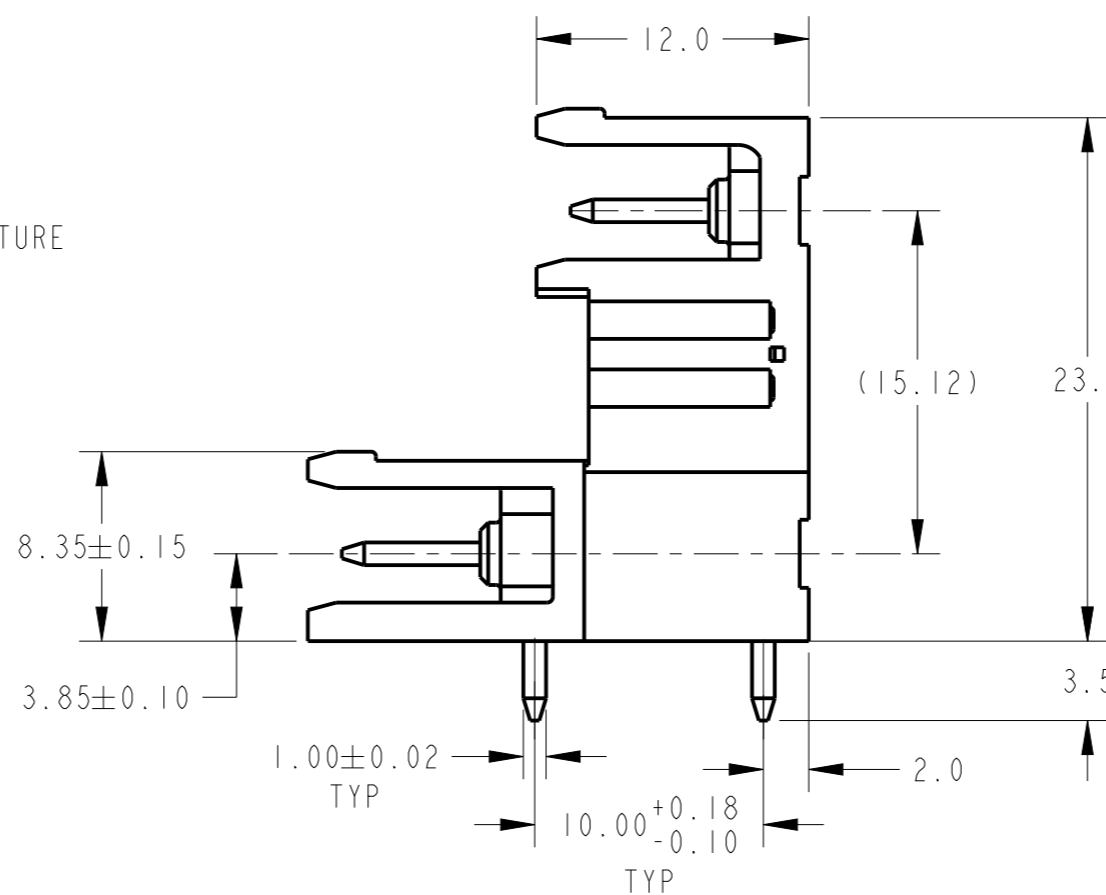
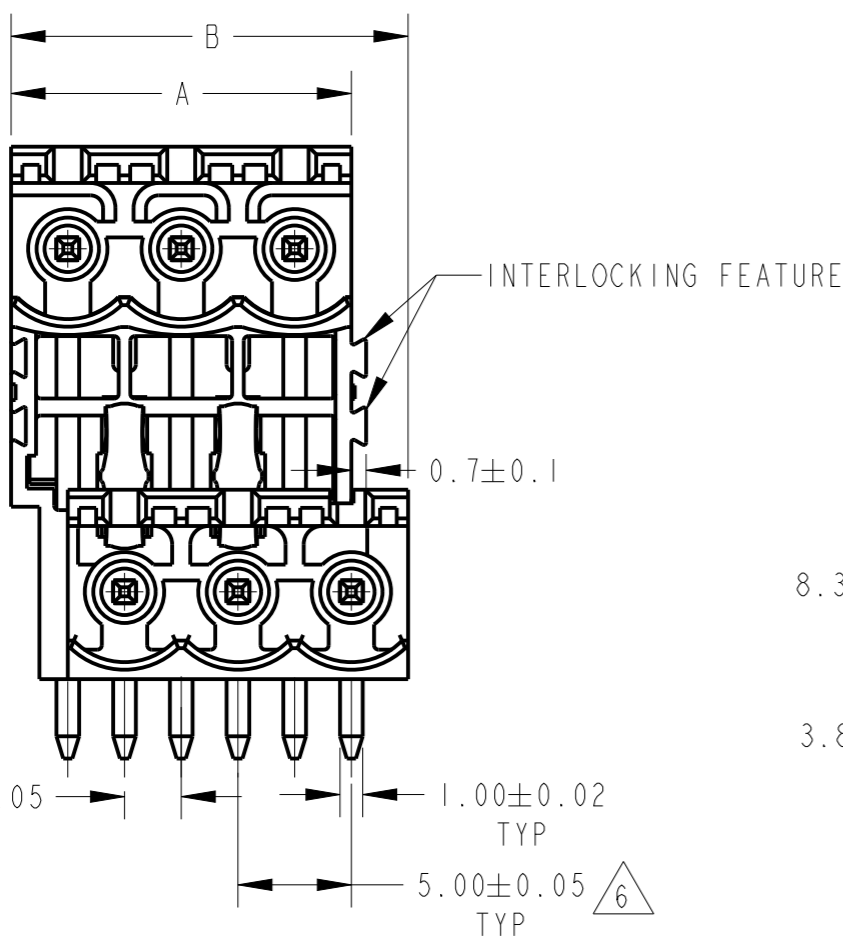


- 1 MATERIALS AND FINISH  
HOUSING: HIGH TEMPERATURE POLYAMIDE, UL 94V-0 RATED, COLOR GREEN.  
TERMINAL: COPPER ALLOY, TIN PLATED.
- 2 SUITABLE FOR 1,6-2,4mm PC BOARD THICKNESS.
- 3 ELECTRICAL  
RATED VOLTAGE : 300 V  
RATED CURRENT : 12 A  
CONTACT RESISTANCE : < 15 mΩ  
INSULATION RESISTANCE: > 1000 MΩ (500V DC)
- 4 OPERATING TEMPERATURE RANGE: -40°C TO +110°C
- 5 END-TO-END STACKABLE WITHOUT LOSS OF CENTERLINE SPACING.

6 NOT CUMULATIVE TOLERANCE.

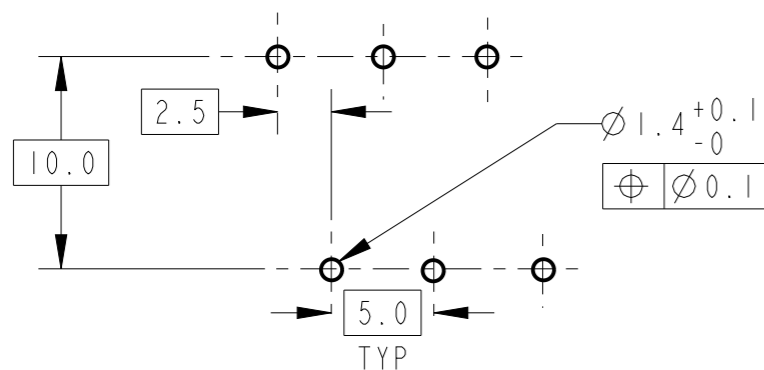


284052-3 AS SHOWN



2.50±0.05 TYP  
1.00±0.02 TYP  
5.00±0.05 TYP

RECOMMENDED PC BOARD LAYOUT



15.00	17.50	3	284052-3
10.00	12.50	2	284052-2
DIM. "A"	DIM. "B"	NO OF POS	PART NUMBER

THIS DRAWING IS A CONTROLLED DOCUMENT.		DWN 04JAN2002 E. ZANOLINI			
DIMENSIONS: mm		CHK 04JAN2002 E. ZANOLINI			
TOLERANCES UNLESS OTHERWISE SPECIFIED:		APVD 04JAN2002 D. BIEVENOUR		NAME TERMINAL BLOCK MULTIPLE HEADER ASSEMBLY 90 DEG STACKING W/INTERLOCK 5.0mm PITCH	
0 PLC ±-		PRODUCT SPEC		SIZE	
1 PLC ±.3		APPLICATION SPEC		CAGE CODE	
2 PLC ±.25		114-20079		DRAWING NO	
3 PLC ±-		WEIGHT		RESTRICTED TO	
4 PLC ±-		-		A3 00779 C-284052	
ANGLES ±°		CUSTOMER DRAWING		SCALE	
MATERIAL		FINISH		5:1	
1		1		SHEET 1 OF 1	
				REV D	

## X-ON Electronics

Largest Supplier of Electrical and Electronic Components

*Click to view similar products for [Pluggable Terminal Blocks](#) category:*

*Click to view products by [TE Connectivity](#) manufacturer:*

Other Similar products are found below :

[57.510.0053](#) [MC 1.5/ 6-ST-3.5 GY AU](#) [734-104](#) [734-302](#) [8-141-P](#) [8426620000](#) [860505](#) [860516](#) [860810](#) [GBPACX-12](#) [93.731.4953.0](#) [PV05-5,08-K](#) [PVP02-5,00](#) [PVP03-3,50](#) [PVP04-3,50](#) [PVS02-5,00](#) [1-1986160-3](#) [1377680000](#) [1531000000](#) [1546228-5](#) [ELFH16150](#) [ELFP03110](#) [ELFP10210](#) [ELFT06250](#) [ELVP03100](#) [1700101](#) [1700410](#) [1700425](#) [1702246](#) [1705229](#) [1710175](#) [1714537](#) [1717806](#) [1719600](#) [1728941](#) [1734692](#) [1734795](#) [1736036](#) [1740194](#) [1740291](#) [1740628](#) [1740990](#) [1746952](#) [1750207](#) [1752441](#) [1752865](#) [1754115](#) [1754144](#) [1756913](#) [1760051](#)