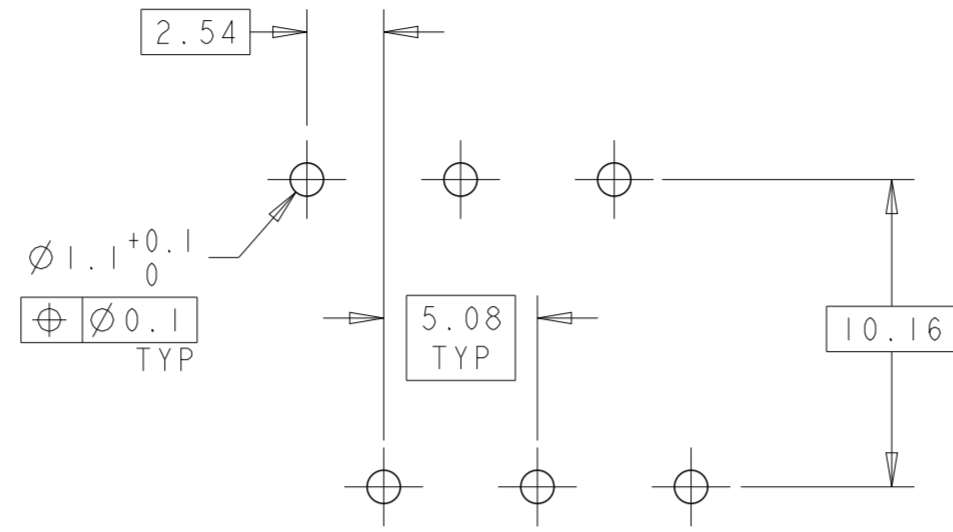
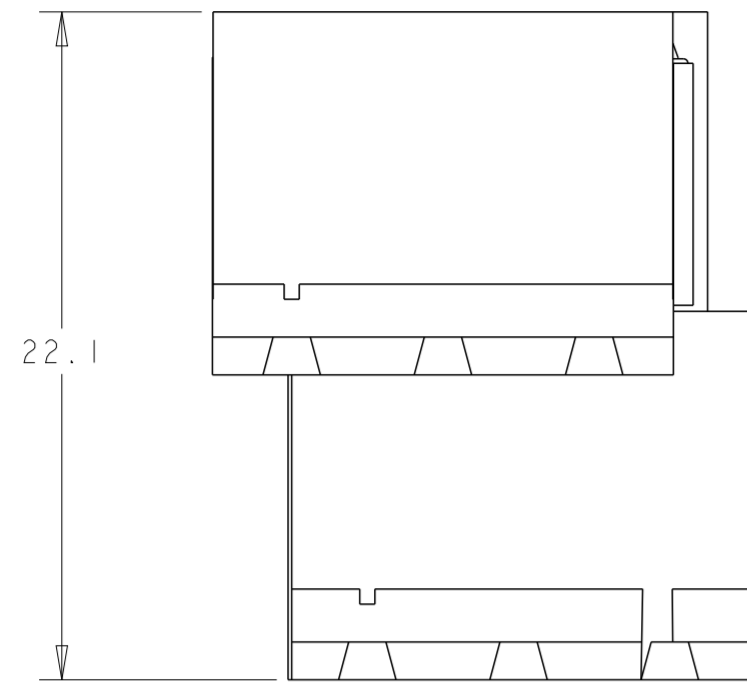
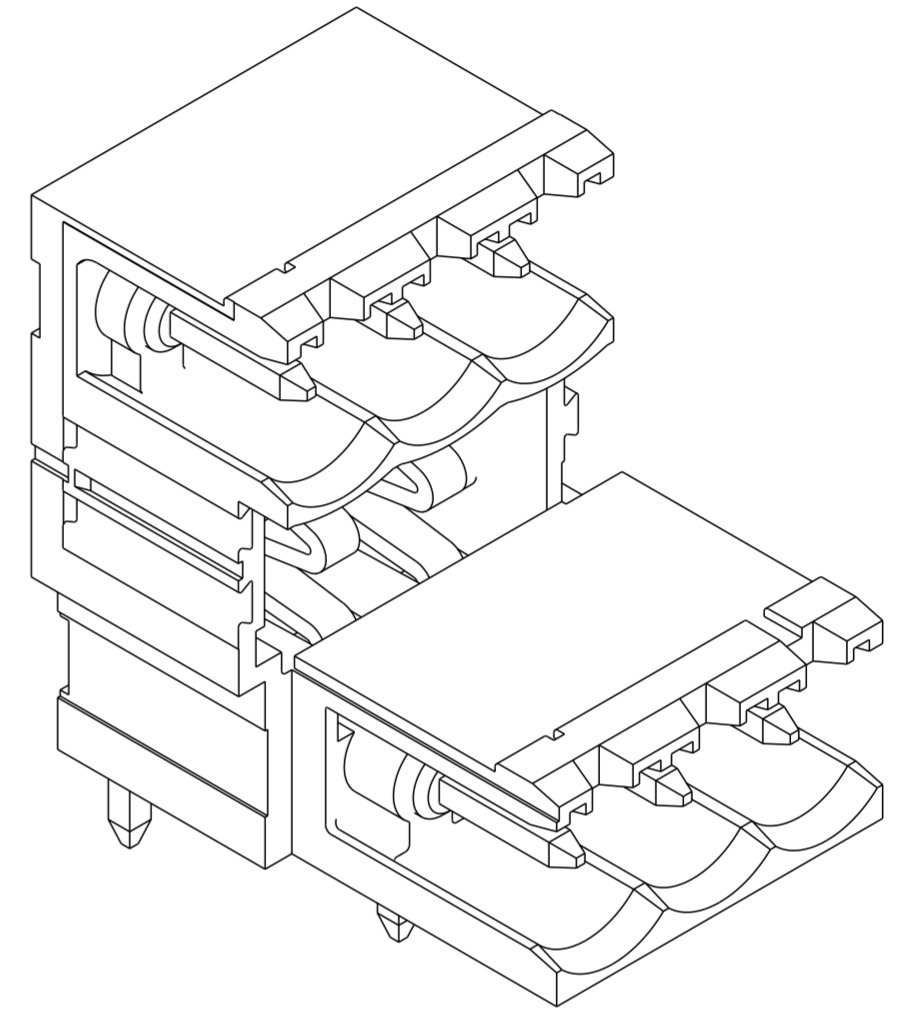


THIS DRAWING IS UNPUBLISHED. RELEASED FOR PUBLICATION 20
 © COPYRIGHT 2020 BY - TE CONNECTIVITY ALL RIGHTS RESERVED.

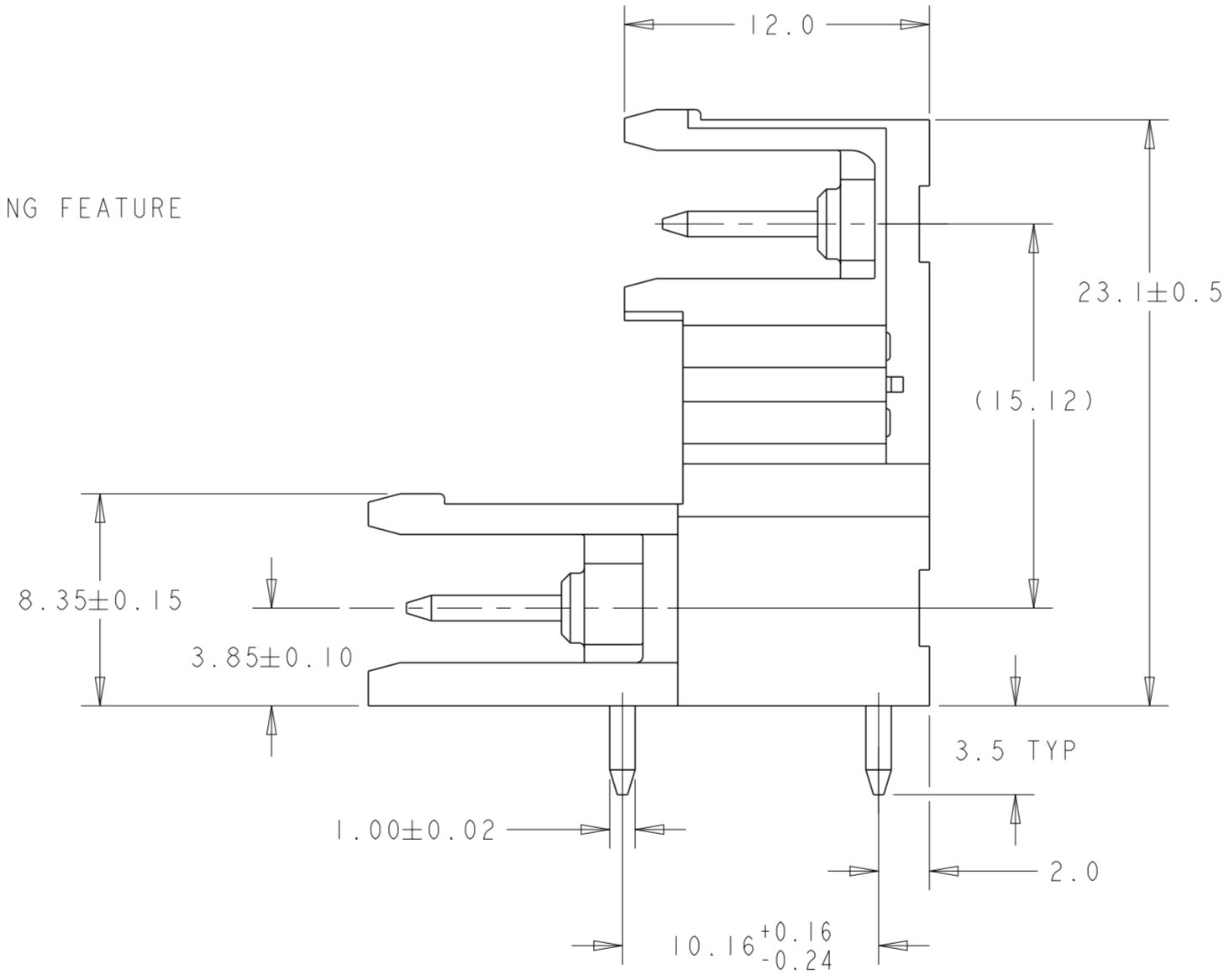
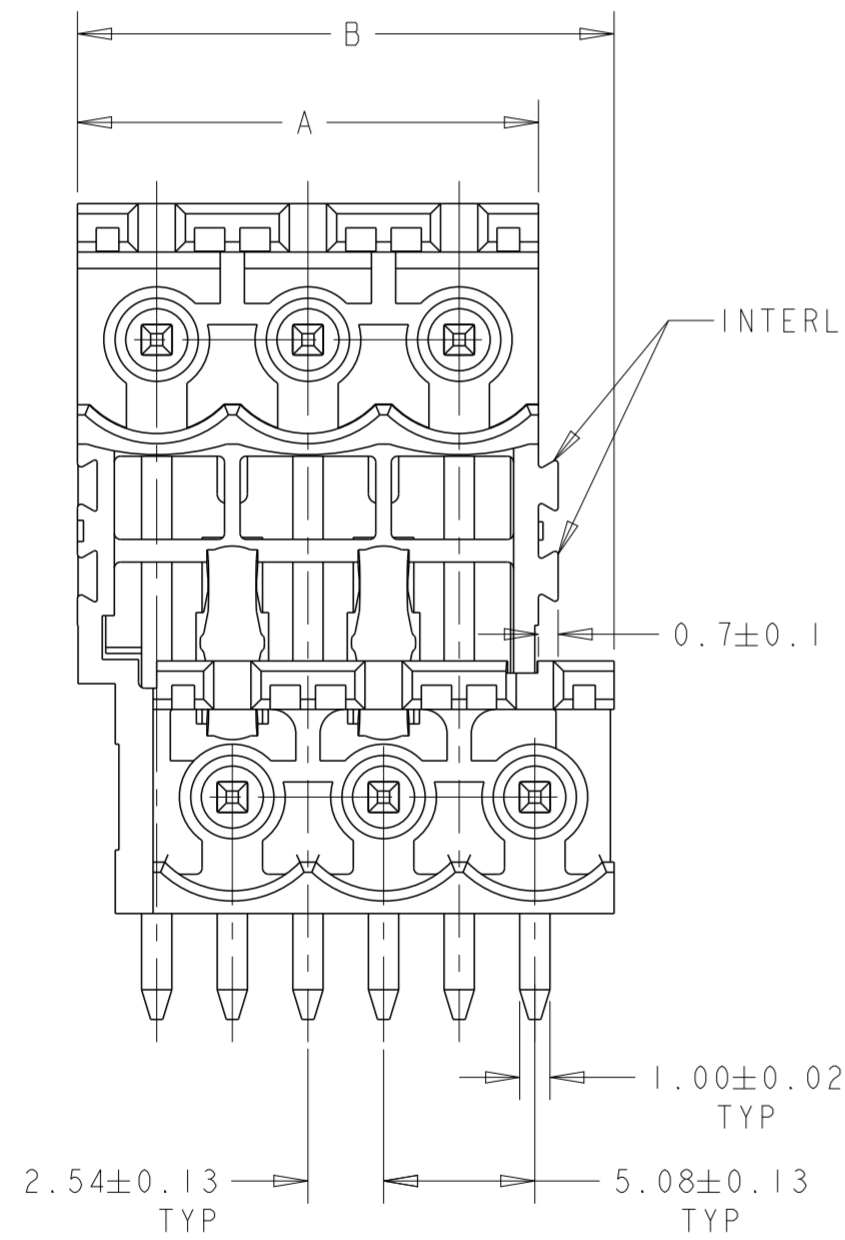
LOC		DIST		REVISIONS			
P	LTR	DESCRIPTION	DATE	DWN	APVD		
	G	DESIGN IMPROVEMENT IN NEW MOLD	12MAY2020	DV	PS		



RECOMMENDED PC BOARD LAYOUT



284053-3 AS SHOWN



SEE DETAIL G	71.12	60.96	12	2-284053-2	5
SEE DETAIL F	71.12	60.96	12	2-284053-1	5
SEE DETAIL E	71.12	60.96	12	2-284053-0	5
SEE DETAIL D	71.12	60.96	12	1-284053-9	5
SEE DETAIL C	71.12	60.96	12	1-284053-8	5
-	73.66	71.12	14	1-284053-4	
-	58.42	55.88	11	1-284053-1	
-	43.18	40.64	8	284053-8	5
-	33.02	30.48	6	284053-6	
-	27.94	25.40	5	284053-5	
-	17.78	15.24	3	284053-3	
-	12.70	10.16	2	284053-2	
MARKING	B	A	NO OF POSN	PART NUMBER	

- 1 MATERIALS AND FINISH
HOUSING: PA 6-6, UL 94-V0, COLOR GREEN.
TERMINAL: COPPER ALLOY, TIN PLATED.
- 2. SUITABLE FOR 1,6-2,4mm PC BOARD THICKNESS.
- 3. END-TO-END STACKABLE WITHOUT LOSS OF CENTERLINE SPACING.
- 4 INK MARKED WITH BLACK PERMANENT INK.
- 5 THIS PART NUMBER IS PRELIMINARY PRIOR TO CUSTOMER ORDER.
CONTACT PRODUCT ENGINEERING BEFORE USING THIS PART.

THIS DRAWING IS A CONTROLLED DOCUMENT.

DWN	S. WELDON	03JUN2003
CHK	C. RICHARD	03JUN2003
APVD	C. RICHARD	03JUN2003

TE Connectivity

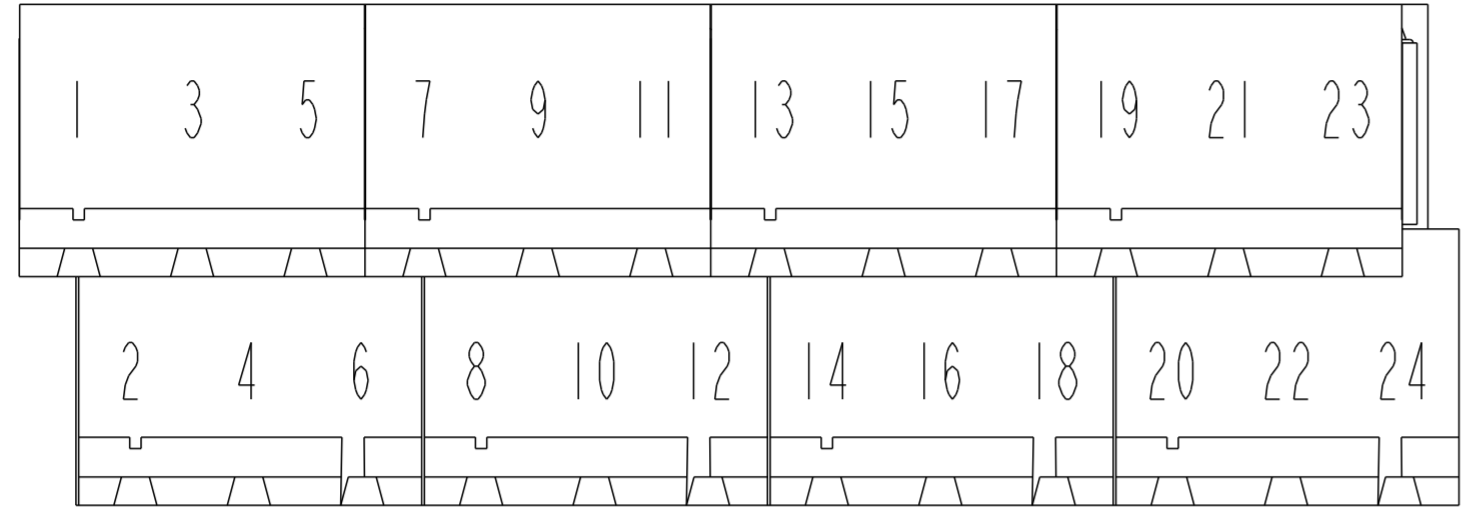
NAME: TERMINAL BLOCK, MULTIPLE HEADER ASSEMBLY, 90 DEGREE STACKING W/INTERLOCK, 5.08mm PITCH

SIZE: A2 | CAGE CODE: 00779 | DRAWING NO: C-284053 | RESTRICTED TO: G

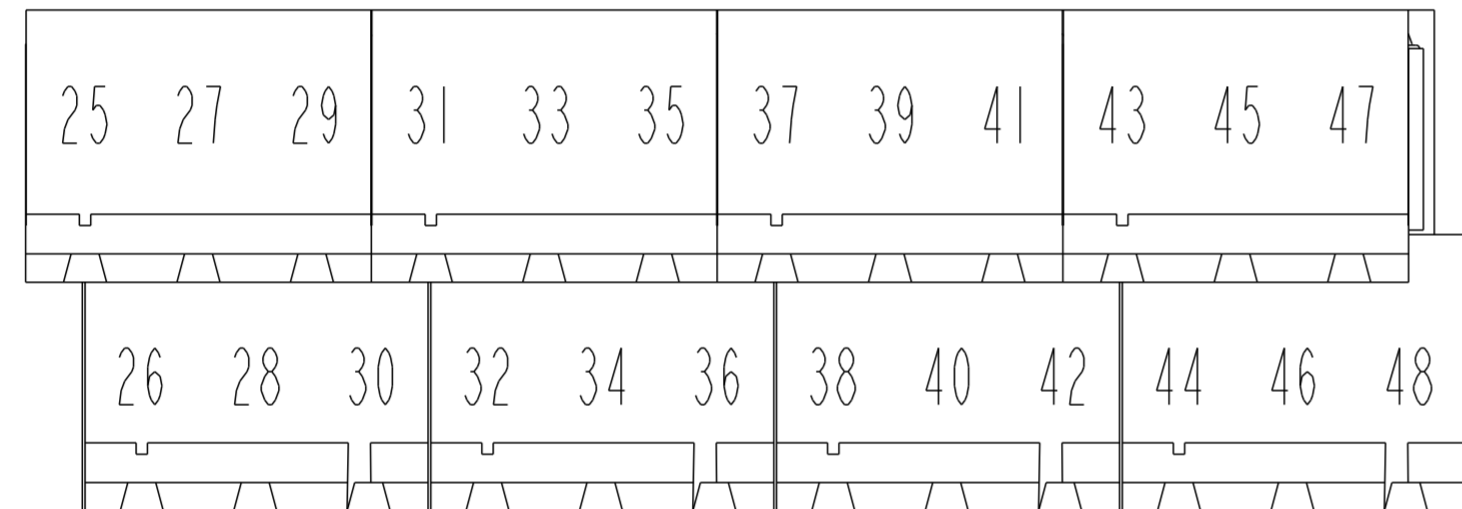
SCALE: 4:1 | SHEET: 1 OF 2 | REV: G

THIS DRAWING IS UNPUBLISHED. RELEASED FOR PUBLICATION 20
 © COPYRIGHT 2020 BY - TE CONNECTIVITY ALL RIGHTS RESERVED.

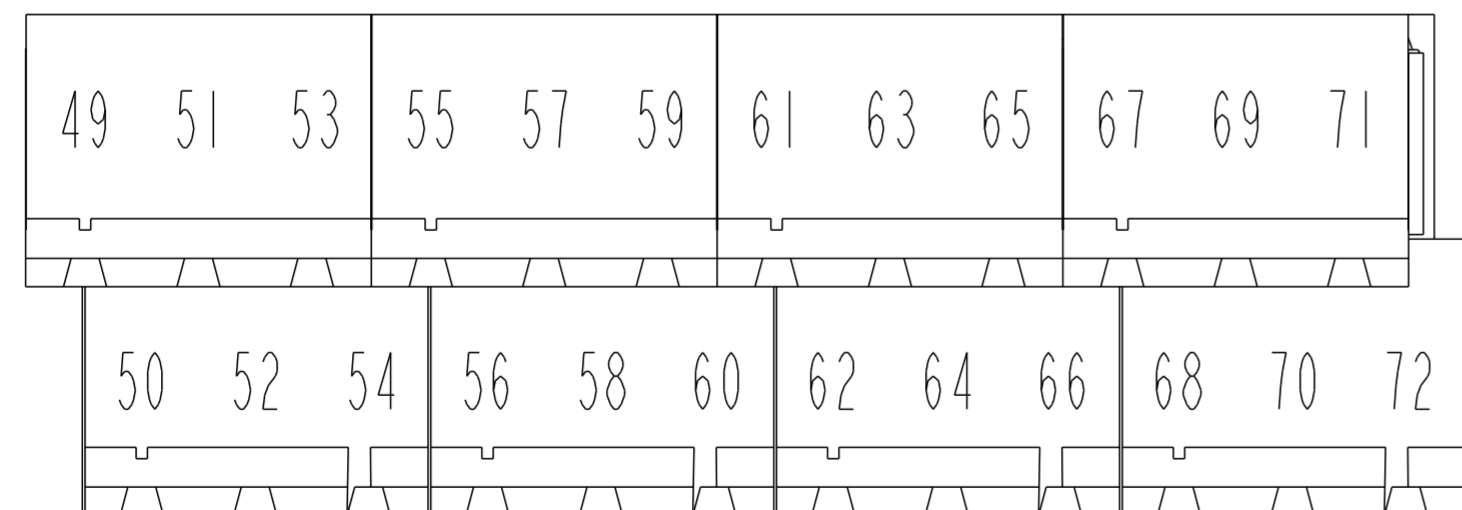
LOC	DIST	REVISIONS					
FT	0	P	LTR	DESCRIPTION	DATE	DWN	APVD
		-		SEE SHEET 1	-	-	-



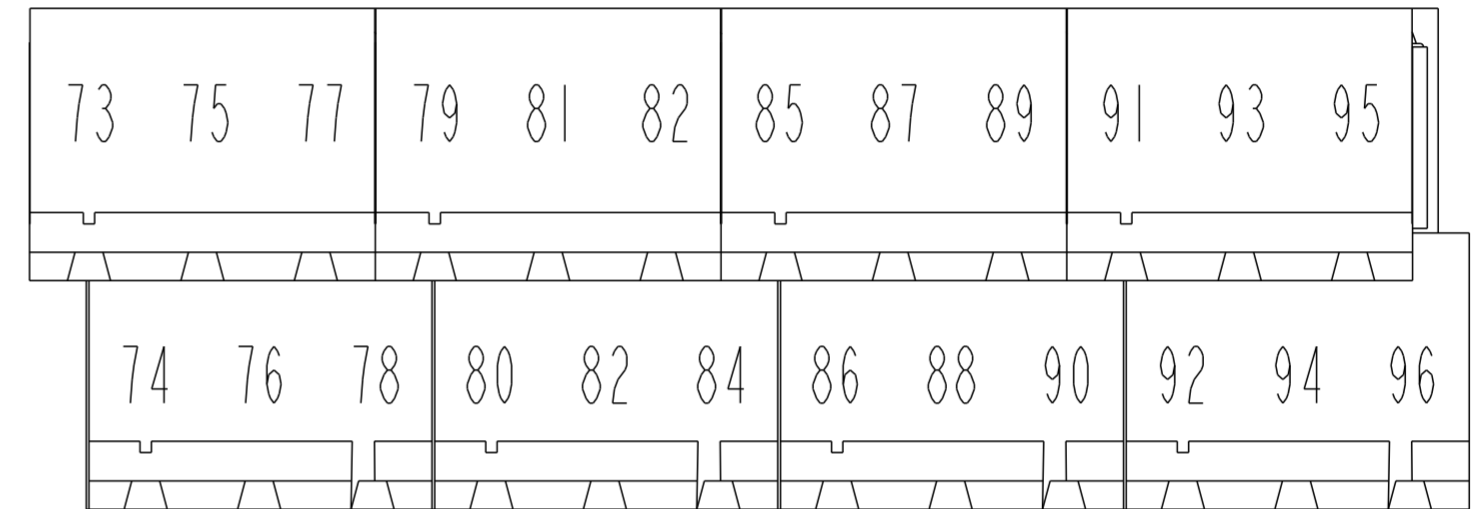
5
 DETAIL C
 SCALE 3:1



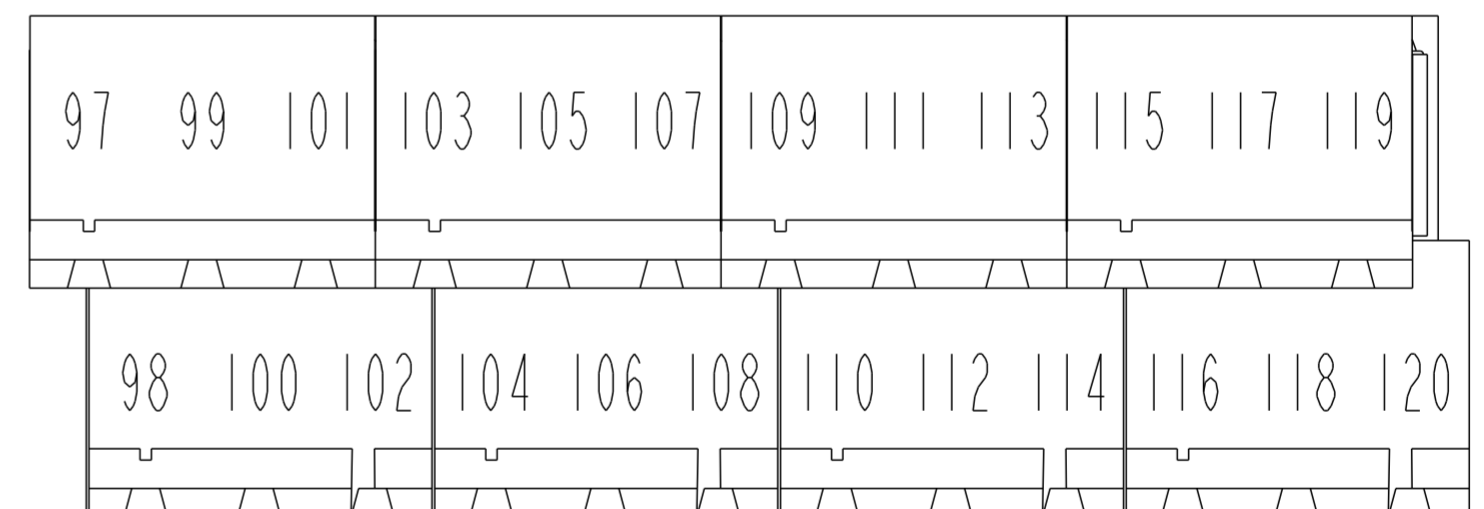
5
 DETAIL D
 SCALE 3:1



5
 DETAIL E
 SCALE 3:1



5
 DETAIL F
 SCALE 3:1



5
 DETAIL G
 SCALE 3:1

THIS DRAWING IS A CONTROLLED DOCUMENT.		DWN S. WELDON 03JUN2003	TE Connectivity	
DIMENSIONS: mm		CHK C. RICHARD 03JUN2003		
TOLERANCES UNLESS OTHERWISE SPECIFIED:		APVD C. RICHARD 03JUN2003	NAME TERMINAL BLOCK, MULTIPLE HEADER ASSEMBLY, 90 DEGREE STACKING W/INTERLOCK, 5.08mm PITCH	
		PRODUCT SPEC	SIZE CAGE CODE DRAWING NO RESTRICTED TO	
MATERIAL		APPLICATION SPEC 114-20079	A200779 C-284053	
FINISH		WEIGHT -	CUSTOMER DRAWING SCALE 4:1 SHEET 2 OF 2 REV G	

X-ON Electronics

Largest Supplier of Electrical and Electronic Components

Click to view similar products for [Pluggable Terminal Blocks](#) category:

Click to view products by [TE Connectivity](#) manufacturer:

Other Similar products are found below :

[57.510.0053](#) [MC 1.5/ 6-ST-3.5 GY AU](#) [734-104](#) [734-302](#) [8-141-P](#) [8426620000](#) [860505](#) [860516](#) [860810](#) [GBPACX-12](#) [93.731.4953.0](#) [PV05-5,08-K](#) [PVP02-5,00](#) [PVP03-3,50](#) [PVP04-3,50](#) [PVS02-5,00](#) [1-1986160-3](#) [1377680000](#) [1531000000](#) [1546228-5](#) [ELFH16150](#) [ELFP03110](#) [ELFP10210](#) [ELFT06250](#) [ELVP03100](#) [1700101](#) [1700410](#) [1700425](#) [1702246](#) [1705229](#) [1710175](#) [1714537](#) [1717806](#) [1719600](#) [1728941](#) [1734692](#) [1734795](#) [1736036](#) [1740194](#) [1740291](#) [1740628](#) [1740990](#) [1746952](#) [1750207](#) [1752441](#) [1752865](#) [1754115](#) [1754144](#) [1756913](#) [1760051](#)