

4

3

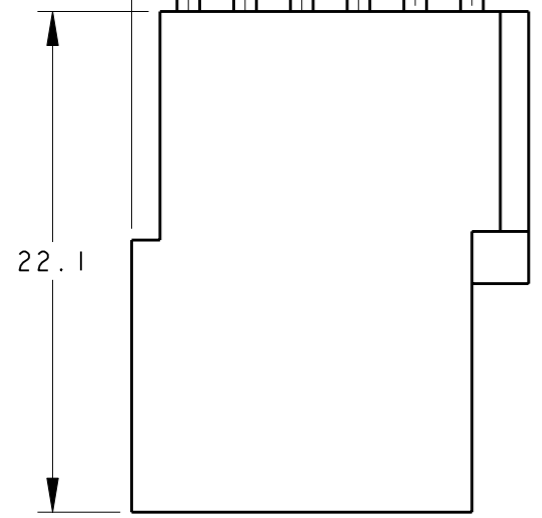
2

1

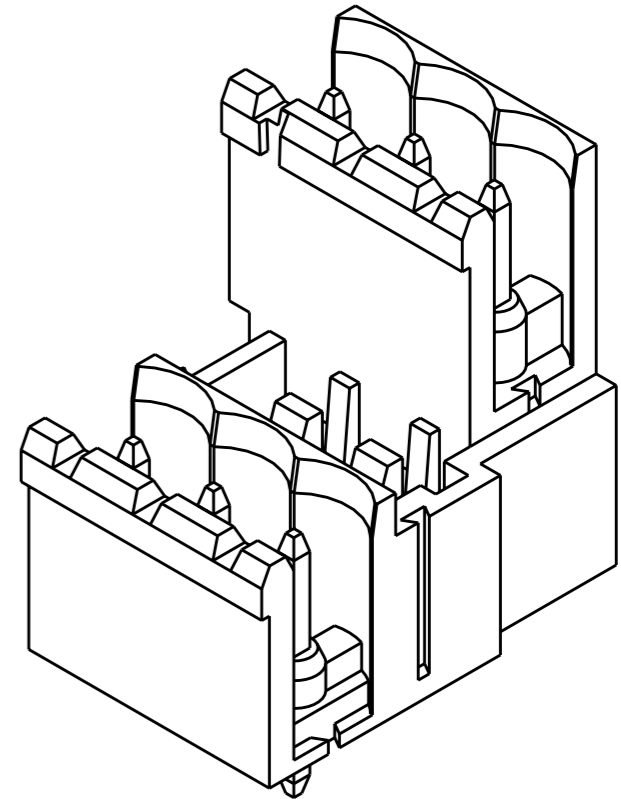
THIS DRAWING IS UNPUBLISHED. RELEASED FOR PUBLICATION 20
 © COPYRIGHT 20 BY TYCO ELECTRONICS CORPORATION. ALL RIGHTS RESERVED.

| LOC | DIST | REVISIONS | | | |
|-----|------|-------------|--------------------------|-----------|-------|
| P | LTR | DESCRIPTION | DATE | DWN | APVD |
| FT | 0 | B | REVISED PER 0G3B-0119-01 | 22JAN2002 | EZ DB |
| | | CI | REVISED ECO-06-019187 | 14AUG2006 | SW CR |

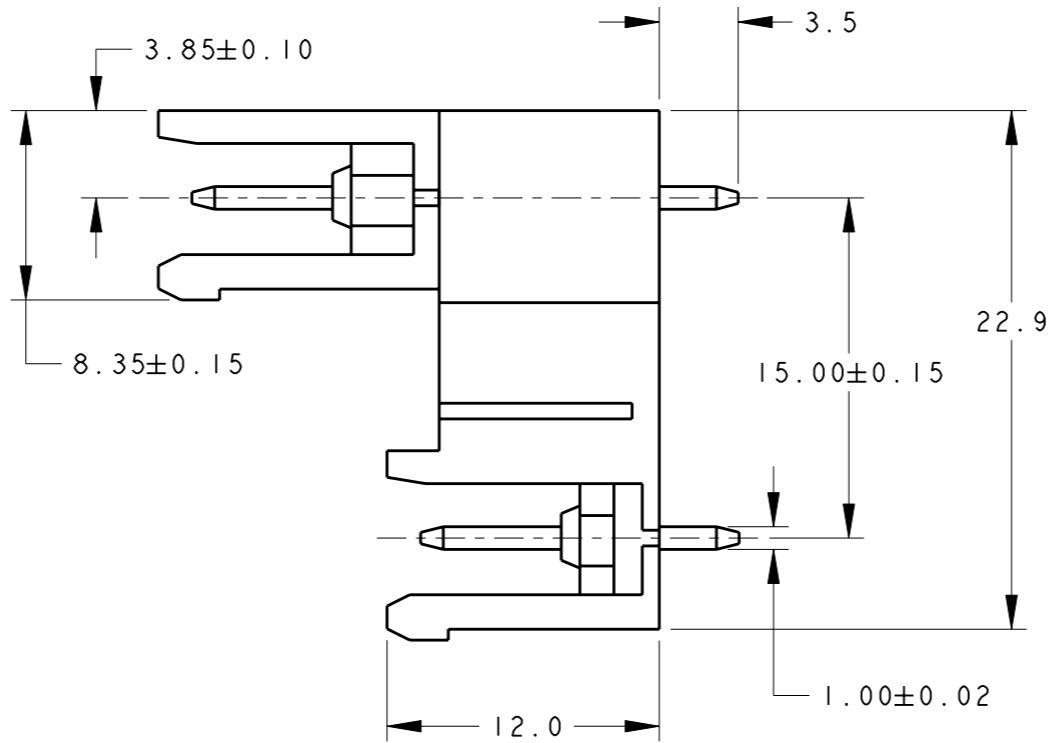
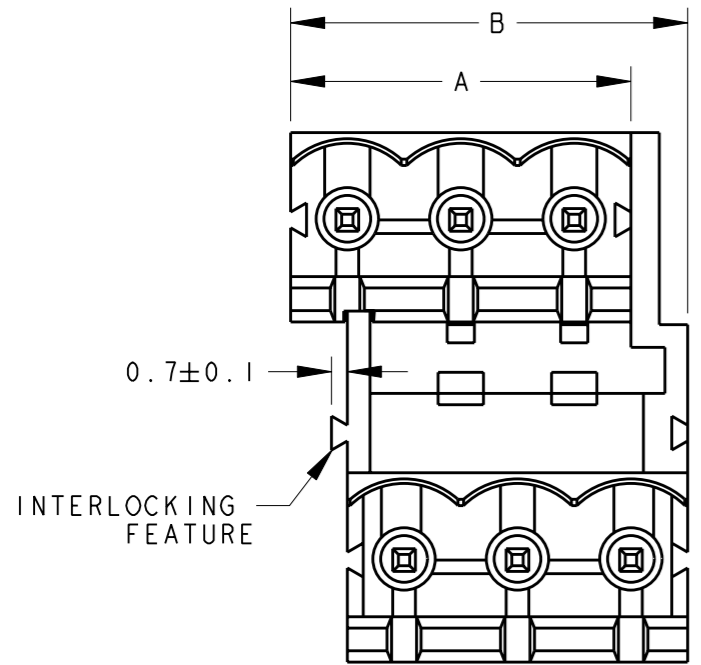
2.50±0.05
 5.00±0.05 $\triangle 4$
 2.5 REF
 1.00±0.02



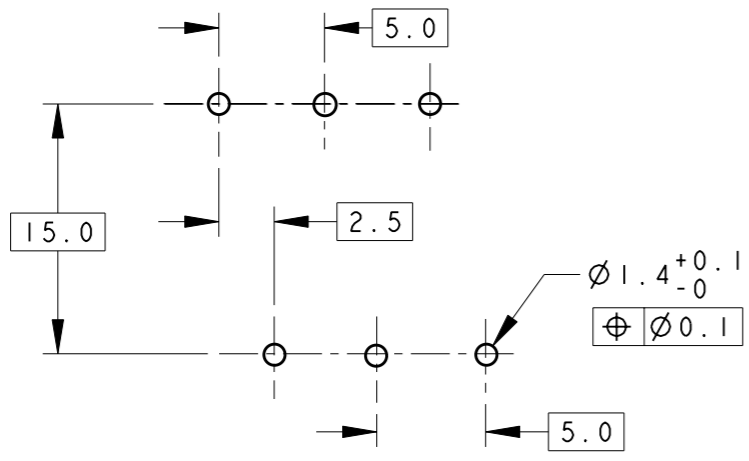
- $\triangle 1$ MATERIALS AND FINISH
 HOUSING: PA 6-6, UL 94-V0, COLOR GREEN.
 TERMINAL: PHOSPHOR BRONZE, TIN PLATED.
- 2 SUITABLE FOR 1,6-2,4mm PC BOARD THICKNESS.
- 3 END-TO-END STACKABLE WITHOUT LOSS OF CENTERLINE SPACING.
- $\triangle 4$ NOT CUMULATIVE TOLERANCE.



284056-3 AS SHOWN



| | B | A | NO OF POSN | PART NUMBER |
|-------------|------|------|------------|-------------|
| PRELIMINARY | 47.5 | 45.0 | 9 | 284056-9 |
| PRELIMINARY | 32.5 | 30.0 | 6 | 284056-6 |
| OBSOLETE | 17.5 | 15.0 | 3 | 284056-3 |
| | 12.5 | 10.0 | 2 | 284056-2 |



RECOMMENDED PC BOARD LAYOUT

| | | | | | |
|---|--|---|--|--|--|
| <small>THIS DRAWING IS A CONTROLLED DOCUMENT FOR TYCO ELECTRONICS CORPORATION IT IS SUBJECT TO CHANGE AND THE CONTROLLING ENGINEERING ORGANIZATION SHOULD BE CONTACTED FOR THE LATEST REVISION.</small> | | DWN 22JAN2002 E. ZANOLINI CHK 22JAN2002 E. ZANOLINI APVD 22JAN2002 D. BIEVENOUR | | BUCHANAN Tyco Electronics Harrisburg, PA 17105-3608 | |
| DIMENSIONS: mm | | TOLERANCES UNLESS OTHERWISE SPECIFIED: 0 PLC ±.3 1 PLC ±.3 2 PLC ±.25 3 PLC ±. 4 PLC ±. ANGLES ±2 | | NAME TERMINAL BLOCK MULTIPLE HEADER, 180° STACKING W/INTERLOCK, 5.0mm PITCH | |
| MATERIAL $\triangle 1$ | | FINISH $\triangle 1$ | | PRODUCT SPEC - APPLICATION SPEC - WEIGHT - | |
| CUSTOMER DRAWING | | | | SIZE A3 CAGE CODE 00779 DRAWING NO C-284056 RESTRICTED TO - | |
| SCALE 3:1 | | | | SHEET 1 OF 1 REV CI | |

X-ON Electronics

Largest Supplier of Electrical and Electronic Components

Click to view similar products for [Pluggable Terminal Blocks](#) category:

Click to view products by [TE Connectivity](#) manufacturer:

Other Similar products are found below :

[57.510.0053](#) [MC 1.5/ 6-ST-3.5 GY AU](#) [ET02015000J0G](#) [734-104](#) [734-302](#) [8-141-P](#) [8426620000](#) [860505](#) [860516](#) [860810](#) [GBPACX-12](#)
[93.731.4953.0](#) [PV05-5,08-K](#) [PVP02-5,00](#) [PVP03-3,50](#) [PVP04-3,50](#) [PVS02-5,00](#) [1-1986160-3](#) [1377680000](#) [1531000000](#) [1546228-5](#)
[ELFH16150](#) [ELFP03110](#) [ELFP10210](#) [ELFT06250](#) [ELVP03100](#) [1700101](#) [1700410](#) [1700425](#) [1702246](#) [1705229](#) [1710175](#) [1714537](#) [1717806](#)
[1719600](#) [1728941](#) [1734692](#) [1734795](#) [1736036](#) [1740194](#) [1740291](#) [1740628](#) [1740990](#) [1746952](#) [1750207](#) [1752441](#) [1752865](#) [1754115](#)
[1754144](#) [1756913](#)