

4

3

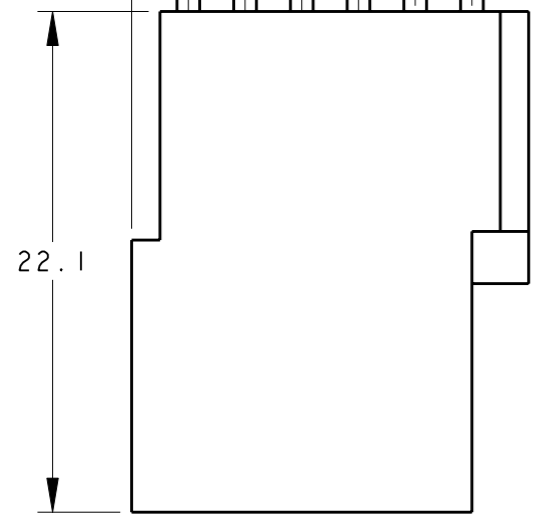
2

1

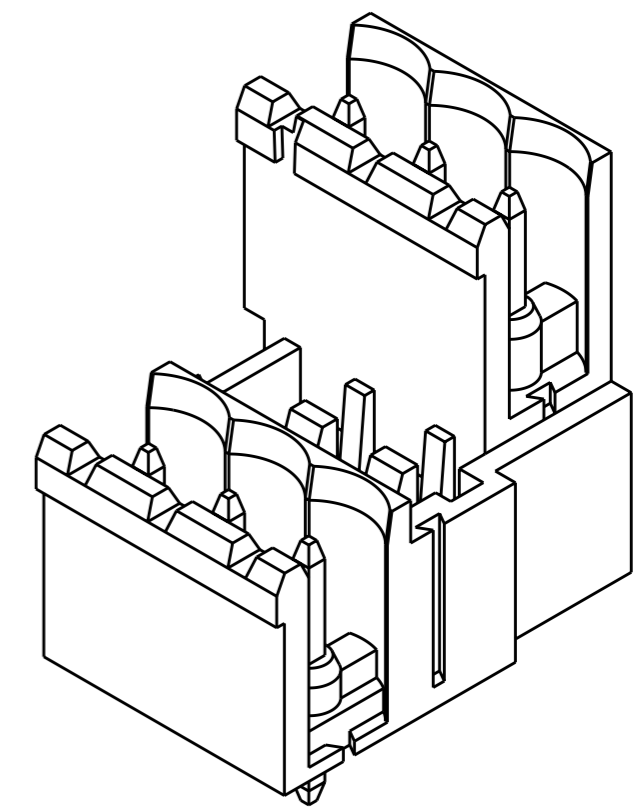
THIS DRAWING IS UNPUBLISHED. RELEASED FOR PUBLICATION 20
 © COPYRIGHT 20 Tyco Electronics AMP GmbH ALL RIGHTS RESERVED.

LOC	DIST	REVISIONS			
P	LTR	DESCRIPTION	DATE	DWN	APVD
FT	0	D1	REVISED PER ECO-12-007714	27APR2012	KH MS

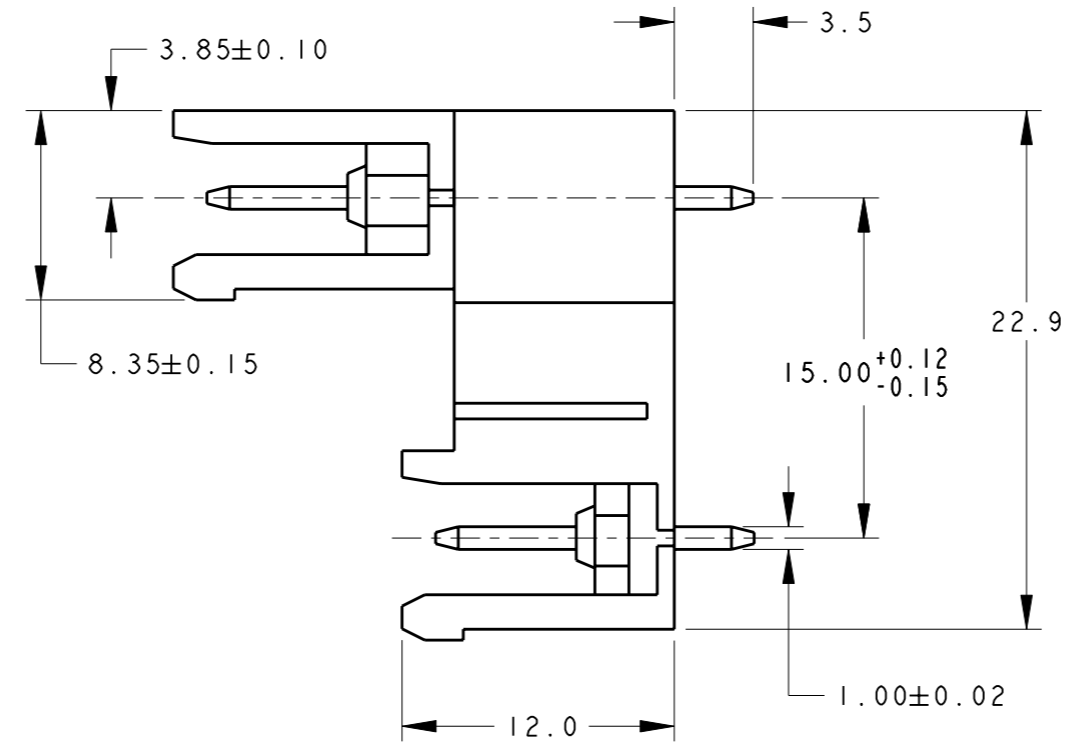
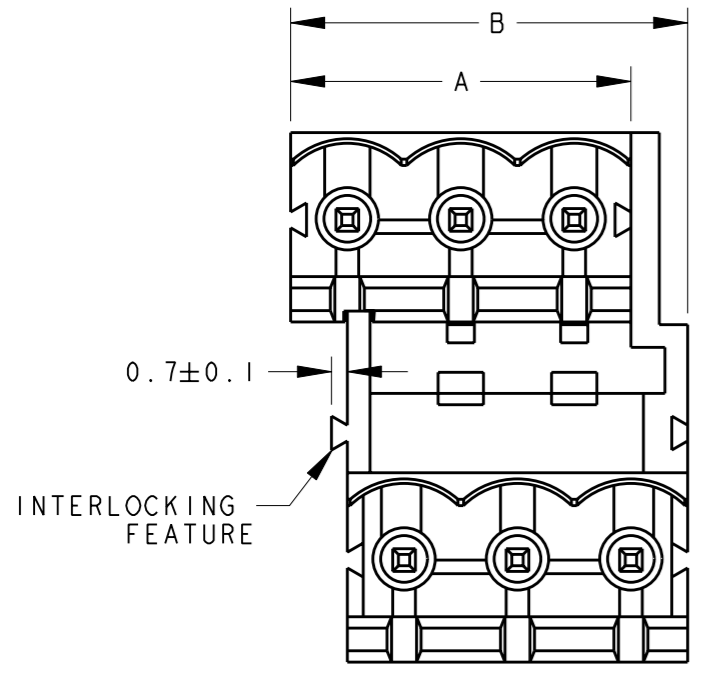
2.50±0.05
 5.00±0.08 ⁴
 2.5 REF
 1.00±0.02



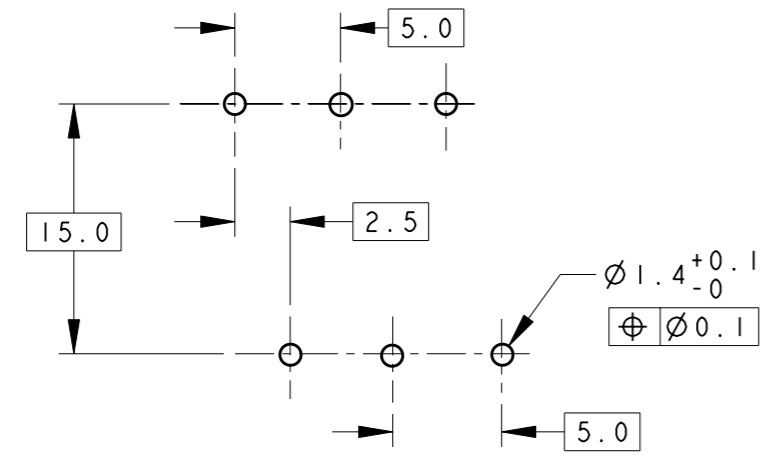
- ¹ MATERIALS AND FINISH
 HOUSING: PA 6-6, UL 94-V0, COLOR: SEE TABLE.
 TERMINAL: COPPER ALLOY, TIN PLATED.
- 2 SUITABLE FOR 1,6-2,4mm PC BOARD THICKNESS.
- 3 END-TO-END STACKABLE WITHOUT LOSS OF CENTERLINE SPACING.
- ⁴ NOT CUMULATIVE TOLERANCE.
- ⁵ PRELIMINARY PART NUMBER.



284056-3 AS SHOWN



⁵	BLACK	47.5	45.0	9	1-284056-9
⁵	BLACK	32.5	30.0	6	1-284056-6
⁵	BLACK	12.5	10.0	2	1-284056-2
⁵	GREEN	47.5	45.0	9	284056-9
⁵	GREEN	32.5	30.0	6	284056-6
	GREEN	27.5	25.0	5	284056-5
	GREEN	22.5	20.0	4	284056-4
	GREEN	17.5	15.0	3	284056-3
	GREEN	12.5	10.0	2	284056-2
	COLOR	B	A	NO OF POSN	PART NUMBER



RECOMMENDED PC BOARD LAYOUT

THIS DRAWING IS A CONTROLLED DOCUMENT.

DWN E. ZANOLINI 22JAN2002
 CHK E. ZANOLINI 22JAN2002
 APVD D. BLEVENOUR 22JAN2002

PRODUCT SPEC -
 APPLICATION SPEC -
 WEIGHT -

STE TE Connectivity

NAME: TERMINAL BLOCK
 MULTIPLE HEADER, 180 DEGREE
 STACKING W/INTERLOCK, 5.0mm PITCH

SIZE: A3 CAGE CODE: 00779 DRAWING NO: C-284056 RESTRICTED TO: -

CUSTOMER DRAWING SCALE: 3:1 SHEET 1 OF 1 REV: D1

X-ON Electronics

Largest Supplier of Electrical and Electronic Components

Click to view similar products for [Pluggable Terminal Blocks](#) category:

Click to view products by [TE Connectivity](#) manufacturer:

Other Similar products are found below :

[57.404.7553](#) [57.504.0053.7](#) [57.510.0053](#) [57.910.6153](#) [01.112.1453](#) [CTB932VE/6](#) [MC 1.5/ 6-ST-3.5 GY AU](#) [ET02015000J0G](#) [734-104](#) [734-302](#) [734-304](#) [8-141-P](#) [FKCT 2.5/ 3-ST KMGY](#) [860505](#) [860508](#) [860516](#) [860810](#) [861908](#) [GBPACX-12](#) [93.731.4953.0](#) [PV05-5,08-K](#) [PVP02-5,00](#) [PVP04-3,50](#) [PVS02-5,00](#) [1-1986160-3](#) [H-10](#) [1546228-5](#) [ELFP03110](#) [ELVP03100](#) [ELXH03100](#) [ELXP041G0](#) [ELXT046G0](#) [1700101](#) [1700410](#) [1703243](#) [1703634](#) [1705229](#) [1710175](#) [1714537](#) [1717806](#) [1719600](#) [1728941](#) [1729386](#) [1734692](#) [1734795](#) [1736036](#) [1740194](#) [1740291](#) [1740628](#) [1740990](#)