

| P  | LTR | DESCRIPTION                    | DATE      | DWN | APVD |
|----|-----|--------------------------------|-----------|-----|------|
| B2 |     | REVISED PER ECO-12-007714      | 28APR2012 | KH  | MS   |
| C  |     | DESIGN IMPROVEMENT IN NEW MOLD | 21JUL2020 | DV  | PS   |

1 MATERIALS AND FINISH  
 HOUSING: HIGH TEMPERATURE POLYAMIDE, UL 94V-0 RATED, COLOR GREEN.  
 TERMINAL: COPPER ALLOY, TIN PLATED.

2 SUITABLE FOR 1,6-2,4mm PC BOARD THICKNESS.

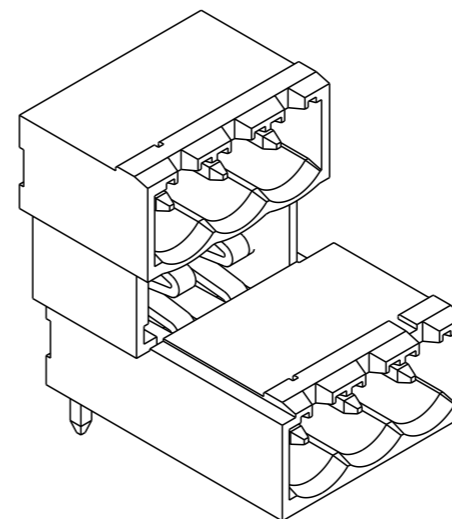
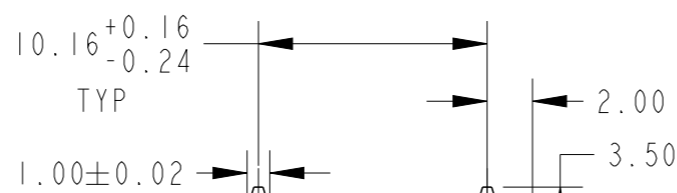
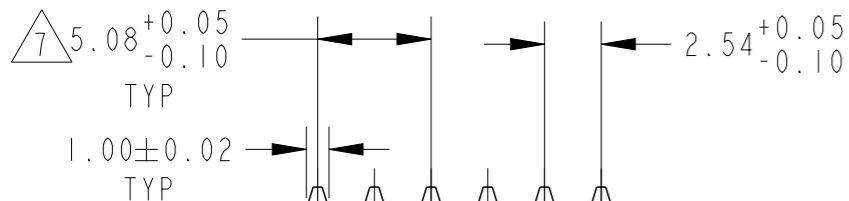
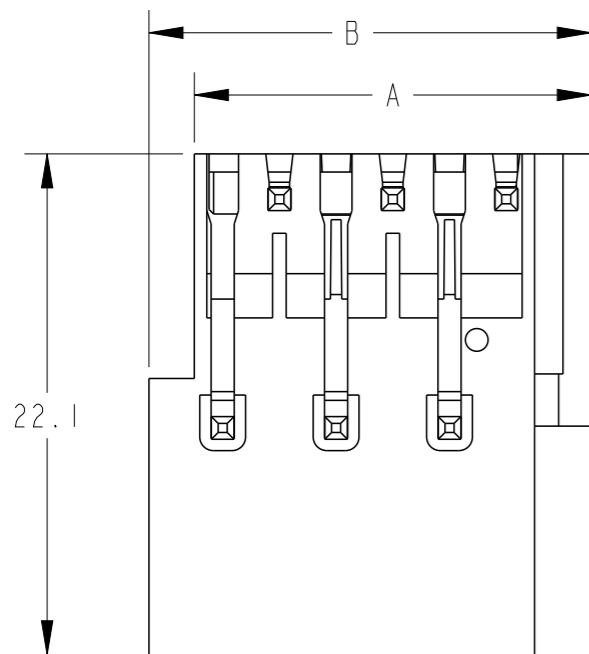
3 ELECTRICAL  
 RATED VOLTAGE : 300 V  
 RATED CURRENT : 12 A  
 CONTACT RESISTANCE : < 15 mΩ  
 INSULATION RESISTANCE: > 1000 MΩ (500V DC)

4 OPERATING TEMPERATURE RANGE: -40°C TO +110°C

5 P/N FROM 284061-4 TO 2-284061-6 ARE OBTAINED BY ASSEMBLING  
 284061-2 AND 284061-3 TO ACHIEVE THE DESIRED NUMBER OF POSITIONS.

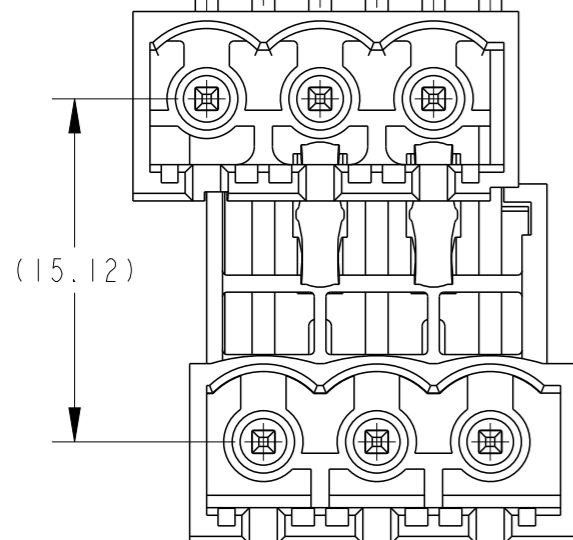
6 PARTS HAS BEEN DISCONTINUED

7 NON CUMULATIVE TOLERANCE

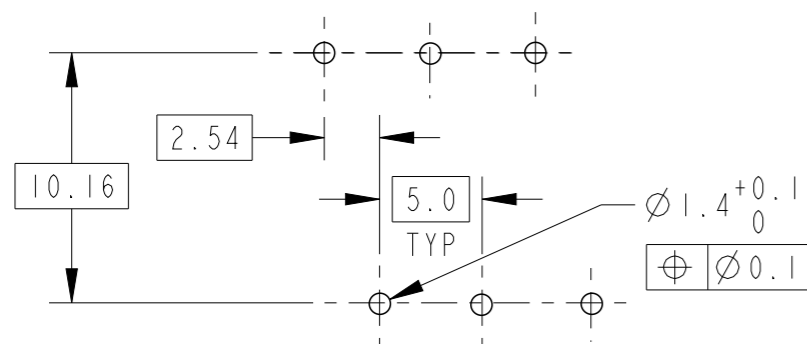


284061-3 AS SHOWN

| A      | B      | NO OF POS | PART NUMBER |
|--------|--------|-----------|-------------|
| 83.08  | 85.58  | 16        | 2-284061-6  |
| 128.80 | 131.30 | 25        | 2-284061-5  |
| 123.68 | 126.18 | 24        | 2-284061-4  |
| 118.44 | 121.14 | 23        | 2-284061-3  |
| 113.56 | 116.06 | 22        | 2-284061-2  |
| 108.44 | 110.94 | 21        | 2-284061-1  |
| 103.40 | 105.90 | 20        | 2-284061-0  |
| 98.32  | 100.82 | 19        | 1-284061-9  |
| 93.20  | 95.70  | 18        | 1-284061-8  |
| 88.16  | 90.66  | 17        | 1-284061-7  |
| 83.08  | 85.58  | 16        | 1-284061-6  |
| 77.96  | 80.46  | 15        | 1-284061-5  |
| 72.92  | 75.45  | 14        | 1-284061-4  |
| 67.84  | 70.34  | 13        | 1-284061-3  |
| 62.72  | 65.22  | 12        | 1-284061-2  |
| 57.68  | 60.18  | 11        | 1-284061-1  |
| 52.60  | 55.10  | 10        | 1-284061-0  |
| 47.48  | 49.98  | 9         | 284061-9    |
| 42.44  | 44.94  | 8         | 284061-8    |
| 37.36  | 39.86  | 7         | 284061-7    |
| 32.24  | 34.74  | 6         | 284061-6    |
| 27.20  | 29.70  | 5         | 284061-5    |
| 22.16  | 24.66  | 4         | 284061-4    |
| 17.00  | 19.50  | 3         | 284061-3    |
| 12.00  | 14.50  | 2         | 284061-2    |



RECOMMENDED PC BOARD LAYOUT



THIS DRAWING IS A CONTROLLED DOCUMENT.

DIMENSIONS:  
mm

TOLERANCES UNLESS OTHERWISE SPECIFIED:

0 PLC ±-  
 1 PLC ±.3  
 2 PLC ±.25  
 3 PLC ±-  
 4 PLC ANGLES ±2°

MATERIAL

FINISH

DWN 24JAN2002

E. ZANOLINI

CHK 24JAN2002

E. ZANOLINI

APVD 24JAN2002

D. BIEVENOUR

PRODUCT SPEC

APPLICATION SPEC

114-20079

WEIGHT

CUSTOMER DRAWING

NAME  
 TERMINAL BLOCK  
 MULTIPLE HEADER, 90 DEGREE  
 CLOSED ENDS 5.08mm PITCH

SIZE CAGE CODE DRAWING NO RESTRICTED TO

A3 00779 C-284061

SCALE 3:1 SHEET 1 OF 1 REV C



## X-ON Electronics

Largest Supplier of Electrical and Electronic Components

*Click to view similar products for [Pluggable Terminal Blocks](#) category:*

*Click to view products by [TE Connectivity](#) manufacturer:*

Other Similar products are found below :

[57.510.0053](#) [MC 1.5/ 6-ST-3.5 GY AU](#) [ET02015000J0G](#) [734-104](#) [734-302](#) [8-141-P](#) [8426620000](#) [860505](#) [860516](#) [860810](#) [GBPACX-12](#)  
[93.731.4953.0](#) [PV05-5,08-K](#) [PVP02-5,00](#) [PVP03-3,50](#) [PVP04-3,50](#) [PVS02-5,00](#) [1-1986160-3](#) [1377680000](#) [1531000000](#) [1546228-5](#)  
[ELFH16150](#) [ELFP03110](#) [ELFP10210](#) [ELFT06250](#) [ELVP03100](#) [1700101](#) [1700410](#) [1700425](#) [1702246](#) [1705229](#) [1710175](#) [1714537](#) [1717806](#)  
[1719600](#) [1728941](#) [1734692](#) [1734795](#) [1736036](#) [1740194](#) [1740291](#) [1740628](#) [1740990](#) [1746952](#) [1750207](#) [1752441](#) [1752865](#) [1754115](#)  
[1754144](#) [1756913](#)