

P	LTR	DESCRIPTION	DATE	DWN	APVD
B2		REVISED PER ECO-12-007714	28APR2012	KH	MS
C		DESIGN IMPROVEMENT IN NEW MOLD	21JUL2020	DV	PS

1 MATERIALS AND FINISH
 HOUSING: HIGH TEMPERATURE POLYAMIDE, UL 94V-0 RATED, COLOR GREEN.
 TERMINAL: COPPER ALLOY, TIN PLATED.

2 SUITABLE FOR 1,6-2,4mm PC BOARD THICKNESS.

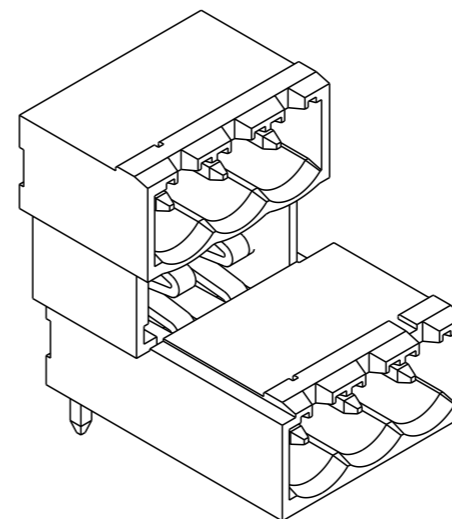
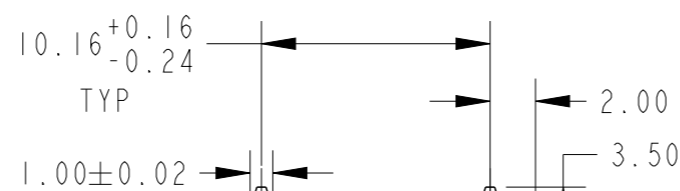
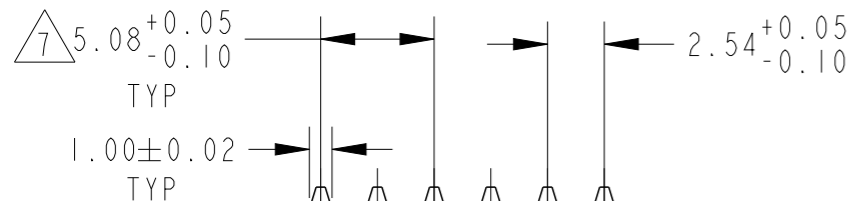
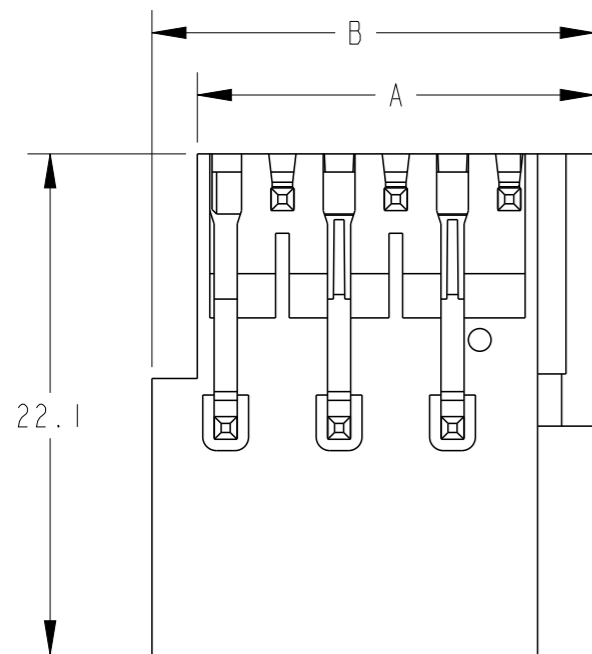
3 ELECTRICAL
 RATED VOLTAGE : 300 V
 RATED CURRENT : 12 A
 CONTACT RESISTANCE : < 15 mΩ
 INSULATION RESISTANCE: > 1000 MΩ (500V DC)

4 OPERATING TEMPERATURE RANGE: -40°C TO +110°C

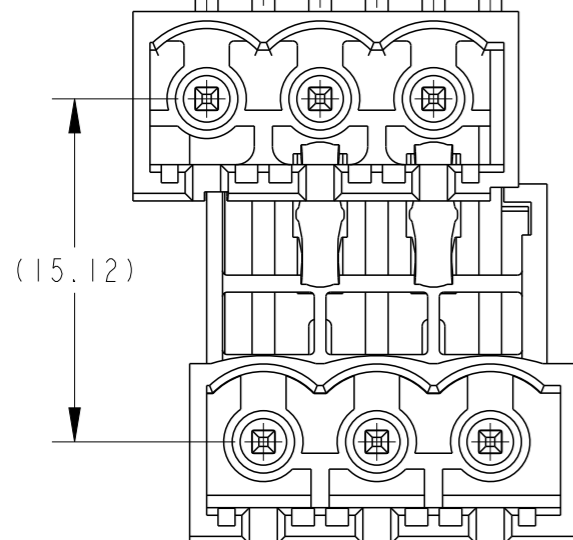
5 P/N FROM 284061-4 TO 2-284061-6 ARE OBTAINED BY ASSEMBLING
 284061-2 AND 284061-3 TO ACHIEVE THE DESIRED NUMBER OF POSITIONS.

6 PARTS HAS BEEN DISCONTINUED

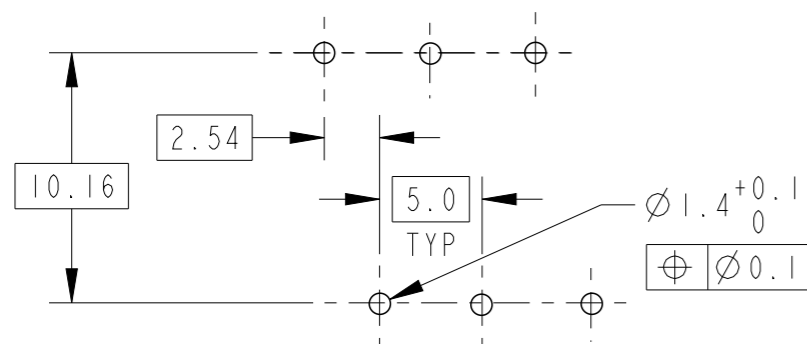
7 NON CUMULATIVE TOLERANCE



83.08	85.58	16	2-284061-6
128.80	131.30	25	2-284061-5
123.68	126.18	24	2-284061-4
118.44	121.14	23	2-284061-3
113.56	116.06	22	2-284061-2
108.44	110.94	21	2-284061-1
103.40	105.90	20	2-284061-0
98.32	100.82	19	1-284061-9
93.20	95.70	18	1-284061-8
88.16	90.66	17	1-284061-7
83.08	85.58	16	1-284061-6
77.96	80.46	15	1-284061-5
72.92	75.45	14	1-284061-4
67.84	70.34	13	1-284061-3
62.72	65.22	12	1-284061-2
57.68	60.18	11	1-284061-1
52.60	55.10	10	1-284061-0
47.48	49.98	9	284061-9
42.44	44.94	8	284061-8
37.36	39.86	7	284061-7
32.24	34.74	6	284061-6
27.20	29.70	5	284061-5
22.16	24.66	4	284061-4
17.00	19.50	3	284061-3
12.00	14.50	2	284061-2
A	B	NO OF POS	PART NUMBER



RECOMMENDED PC BOARD LAYOUT



THIS DRAWING IS A CONTROLLED DOCUMENT.		DWN 24JAN2002 E. ZANOLINI	TE Connectivity	
DIMENSIONS: mm		CHK 24JAN2002 E. ZANOLINI		
TOLERANCES UNLESS OTHERWISE SPECIFIED:		APVD 24JAN2002 D. BIEVENOUR	NAME TERMINAL BLOCK MULTIPLE HEADER, 90 DEGREE CLOSED ENDS 5.08mm PITCH	
0 PLC ±-		PRODUCT SPEC	SIZE	
1 PLC ±.3		APPLICATION SPEC	CAGE CODE	
2 PLC ±.25		114-20079	DRAWING NO	
3 PLC ±-		WEIGHT	RESTRICTED TO	
4 PLC ±-			A3 00779 C-284061	
ANGLES ±2°		CUSTOMER DRAWING	SCALE 3:1 SHEET 1 OF 1 REV C	
FINISH				

X-ON Electronics

Largest Supplier of Electrical and Electronic Components

Click to view similar products for [Pluggable Terminal Blocks](#) category:

Click to view products by [TE Connectivity](#) manufacturer:

Other Similar products are found below :

[57.404.7553](#) [57.504.0053.7](#) [57.510.0053](#) [57.910.6153](#) [01.112.1453](#) [CTB932VE/6](#) [MC 1.5/ 6-ST-3.5 GY AU](#) [ET02015000J0G](#) [734-104](#) [734-302](#) [734-304](#) [8-141-P](#) [FKCT 2.5/ 3-ST KMGY](#) [860505](#) [860508](#) [860516](#) [860810](#) [861908](#) [GBPACX-12](#) [93.731.4953.0](#) [PV05-5,08-K](#) [PVP02-5,00](#) [PVP04-3,50](#) [PVS02-5,00](#) [1-1986160-3](#) [H-10](#) [1546228-5](#) [ELFP03110](#) [ELVP03100](#) [ELXH03100](#) [ELXP041G0](#) [ELXT046G0](#) [1700101](#) [1700410](#) [1703243](#) [1703634](#) [1705229](#) [1710175](#) [1714537](#) [1717806](#) [1719600](#) [1728941](#) [1729386](#) [1734692](#) [1734795](#) [1736036](#) [1740194](#) [1740291](#) [1740628](#) [1740990](#)