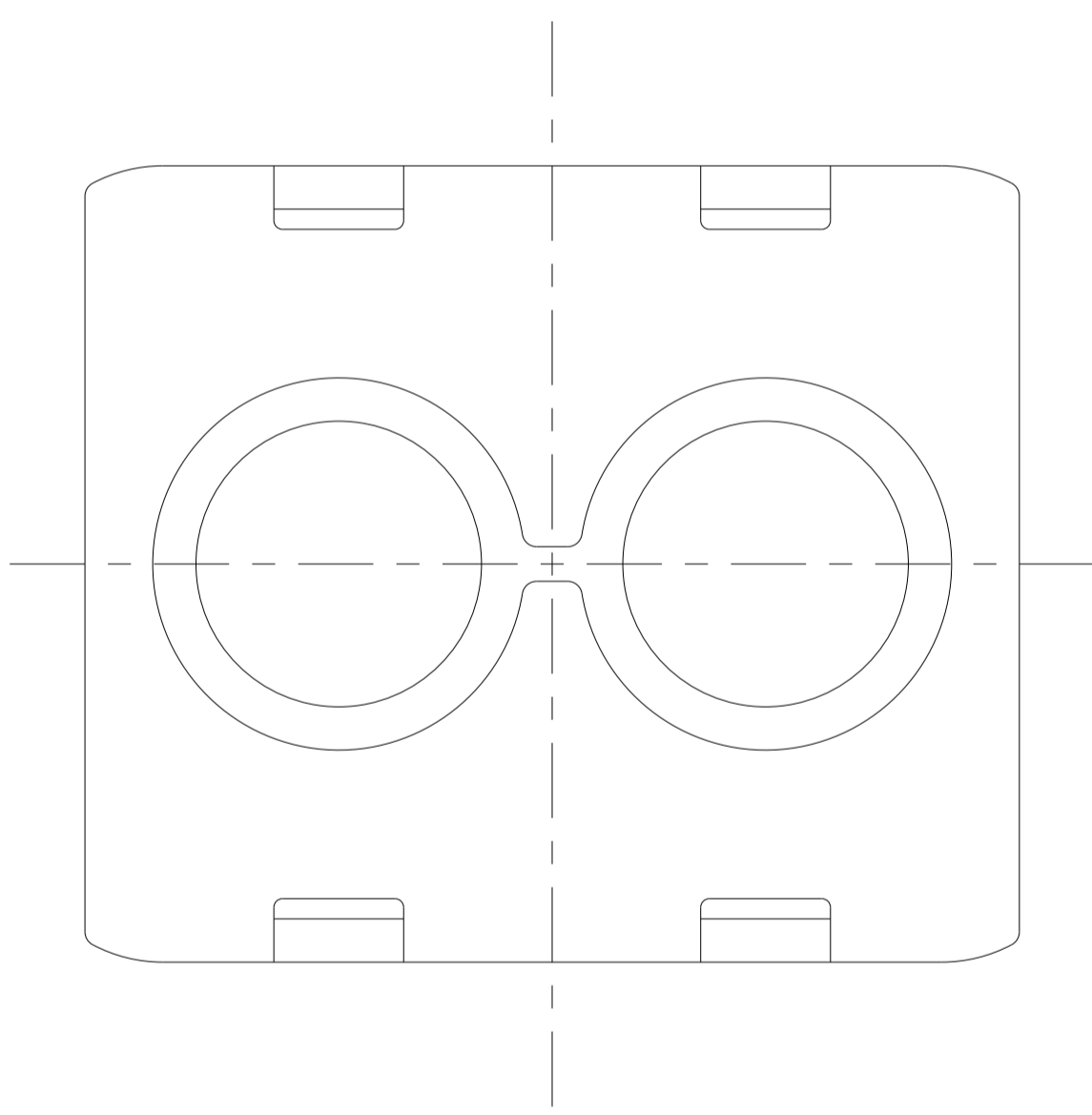
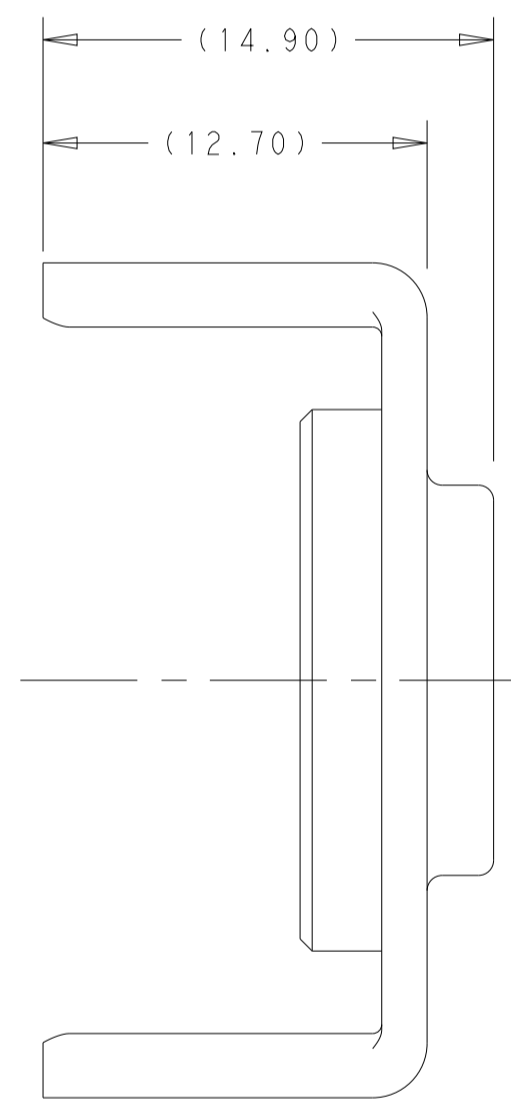
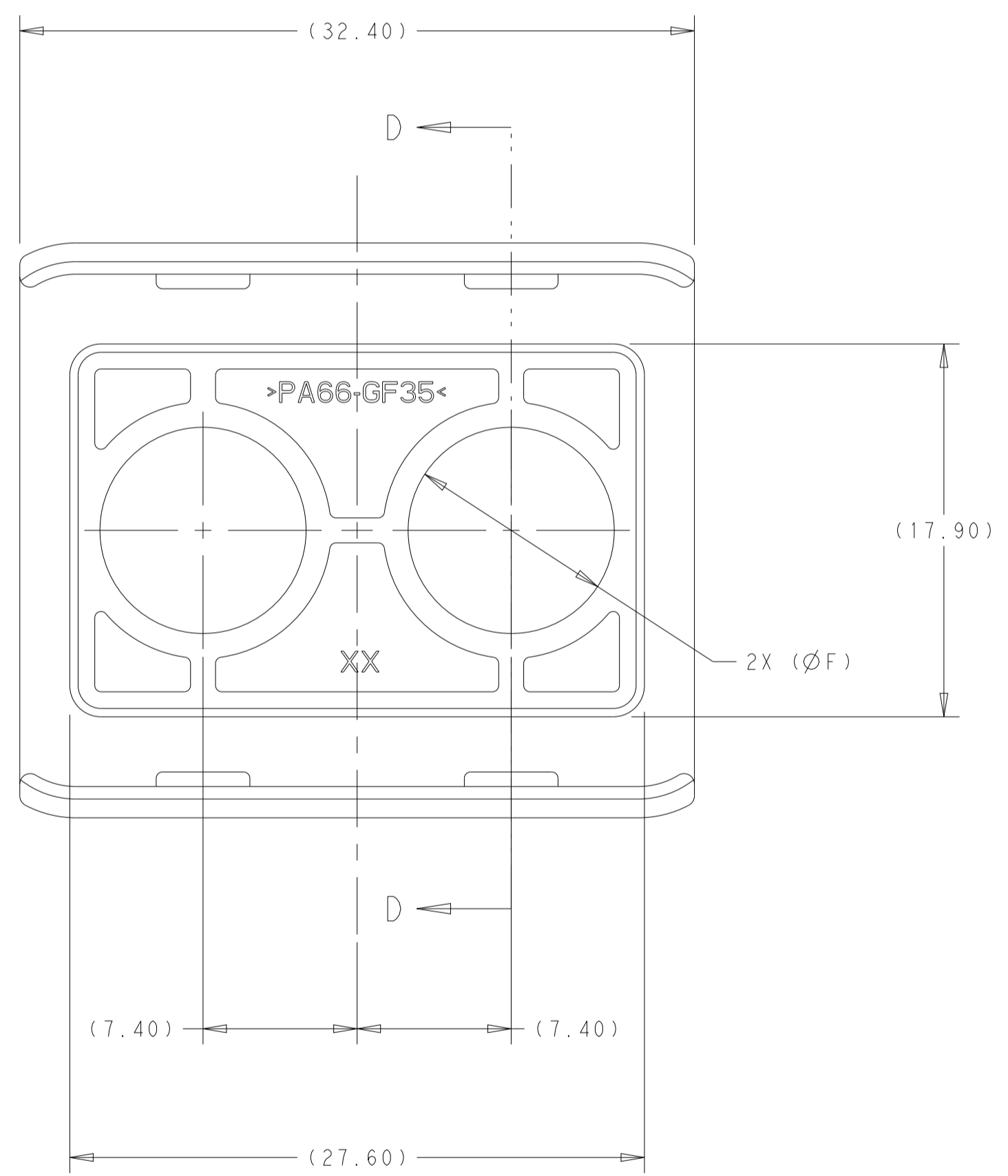
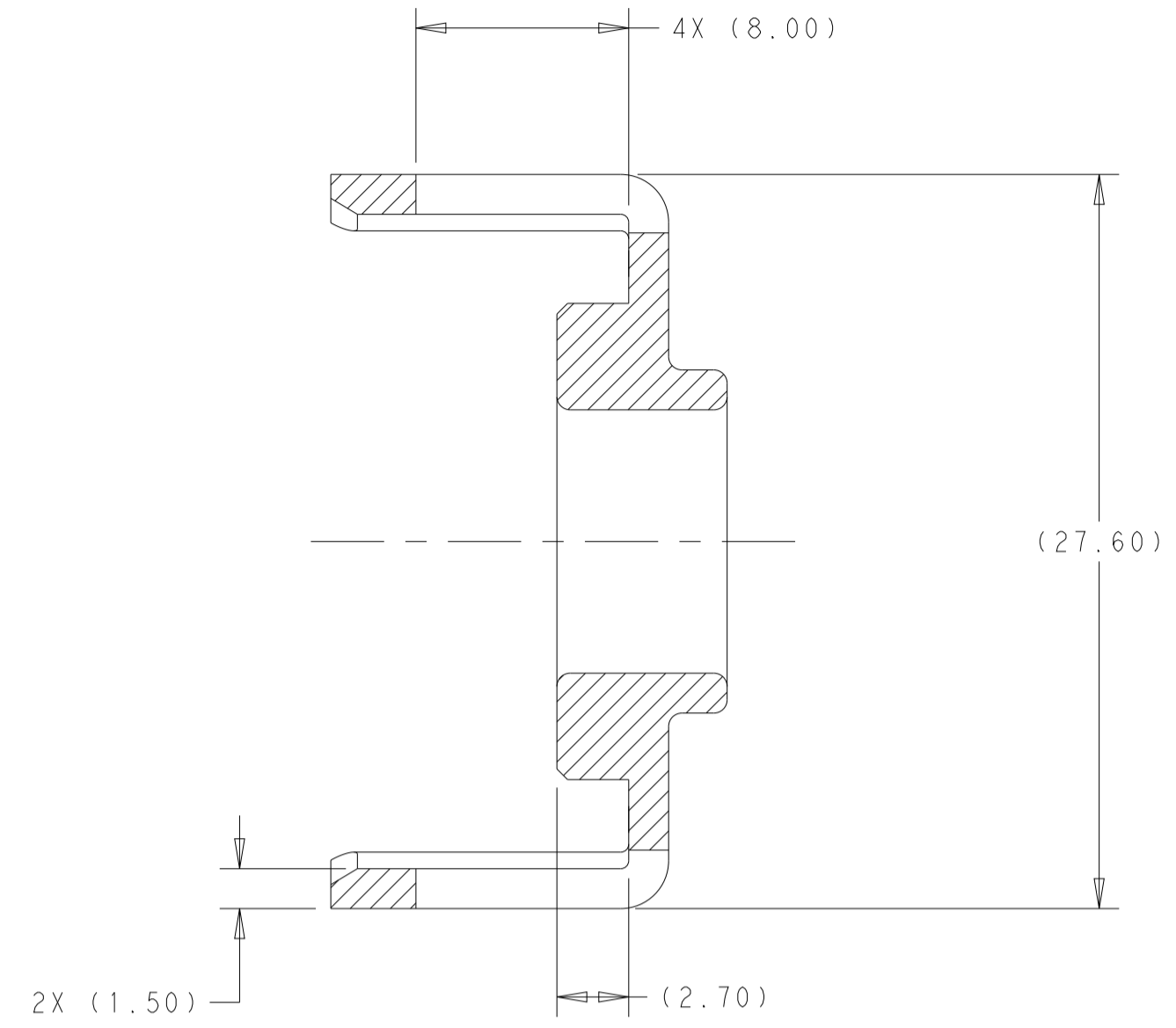
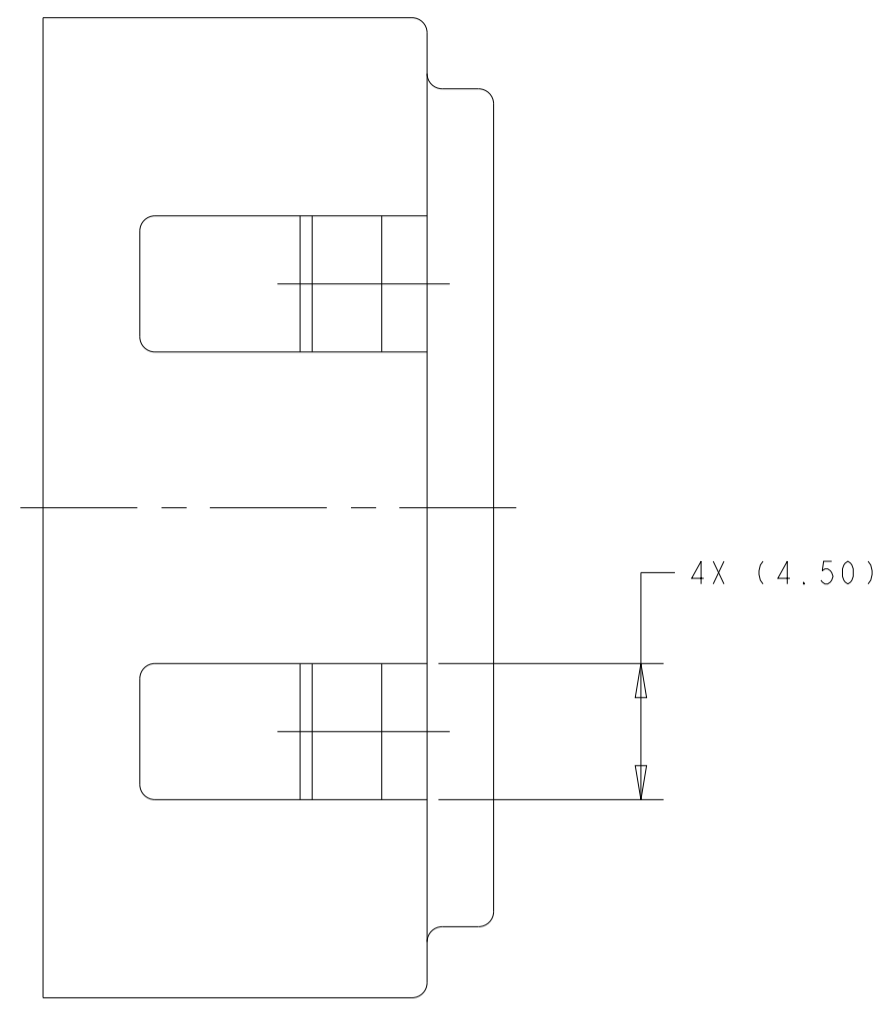
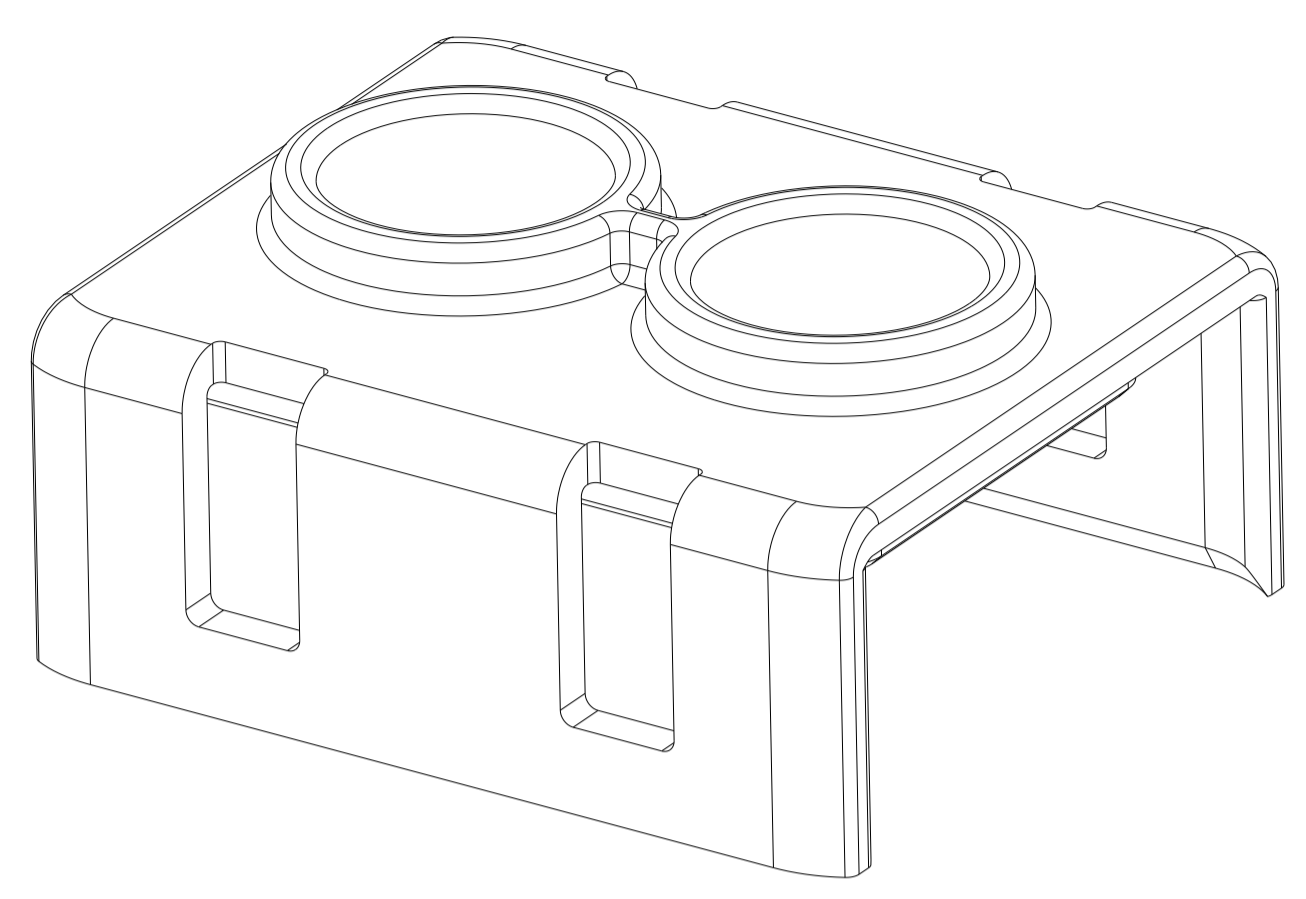


REVISIONS				
P	LTN	DESCRIPTION	DATE	APVD
A	ECR-18-001922		13MAR2018	TD
A1	ECR-18-014285		11SEP2018	TD
A2	ECN-22-167699		02AUG2022	PK



- ▲ MATERIAL :  
TYPE : PA66 35%GF  
COLOR : SEE TABLE
- 2. FEATURES DENOTED BY REFERENCE DIMENSIONS  
MUST BE INSPECTED FOR PRESENCE
- 3. PART MUST BE FREE OF EXCESSIVE FLASH, MIS-MATCH,  
SINK MARKS, OR OTHER IMPERFECTIONS THAT  
MAY AFFECT PRODUCT FIT FORM OR FUNCTION
- ▲ PRELIMINARY PART - NOT RELEASED FOR PRODUCTION

▲	ORANGE	9.60	10.20	10.50	CABLE SEAL RETAINER, SIZE D	2840877-4
	BLACK	9.00	9.60	9.90	CABLE SEAL RETAINER, SIZE C	2840877-3
	ORANGE	8.00	8.60	8.90	CABLE SEAL RETAINER, SIZE B	2840877-2
	DARK GREY	5.40	6.10	6.45	CABLE SEAL RETAINER, SIZE A	2840877-1
	COLOR	MIN	MAX	F	DESCRIPTION	PART NO
		WIRE O.D.				

THIS DRAWING IS A CONTROLLED DOCUMENT. DWN T. DEWILTE 31AUG2017  
 CHK T. DEWILTE 31AUG2017  
 APVD T. DEWILTE 31AUG2017

**TE** TE Connectivity

NAME SEAL RETAINER, CABLE, PCON12

PRODUCT SPEC -  
 APPLICATION SPEC -  
 WEIGHT -

SIZE A1 CAGE CODE - DRAWING NO C=2840877 RESTRICTED TO -  
 CUSTOMER DRAWING SCALE 4:1 SHEET 1 OF 1 REV A2

## X-ON Electronics

Largest Supplier of Electrical and Electronic Components

*Click to view similar products for [Screws & Fasteners](#) category:*

*Click to view products by [TE Connectivity](#) manufacturer:*

Other Similar products are found below :

[5721-1440-1/4-SS](#) [0098.0094](#) [0098.9206](#) [0098.9219](#) [0098.9221](#) [59781-6](#) [0098.9212](#) [618-00001](#) [6292-1](#) [690432-1](#) [699161-000](#) [700989](#)  
[7230-3](#) [72609-02](#) [CAPTIVE JACK SCREW](#) [73542-02](#) [CAPTIVE SHORT THUMBSCREW](#) [745564-1](#) [751-00001](#) [7680](#) [809704-1](#) [8700](#)  
[8860220](#) [9521](#) [992763-3](#) [1-18024-0](#) [A168P1](#) [1-24921-1](#) [125416-1](#) [1301810148](#) [1301810313](#) [1301810400](#) [1301830031](#) [1-306131-6](#)  
[1301810131](#) [1301830042](#) [1393160-3](#) [1458](#) [1-59781-3](#) [18029-4](#) [NBX-10953](#) [NUT-16-3P-HEX-NICKEL](#) [2079764-1](#) [20993.45098](#) [21004-1](#)  
[21009-4](#) [21014-5](#) [21021-2](#) [CA24037A01](#) [22987-4](#) [2-305927-7](#) [2327](#)