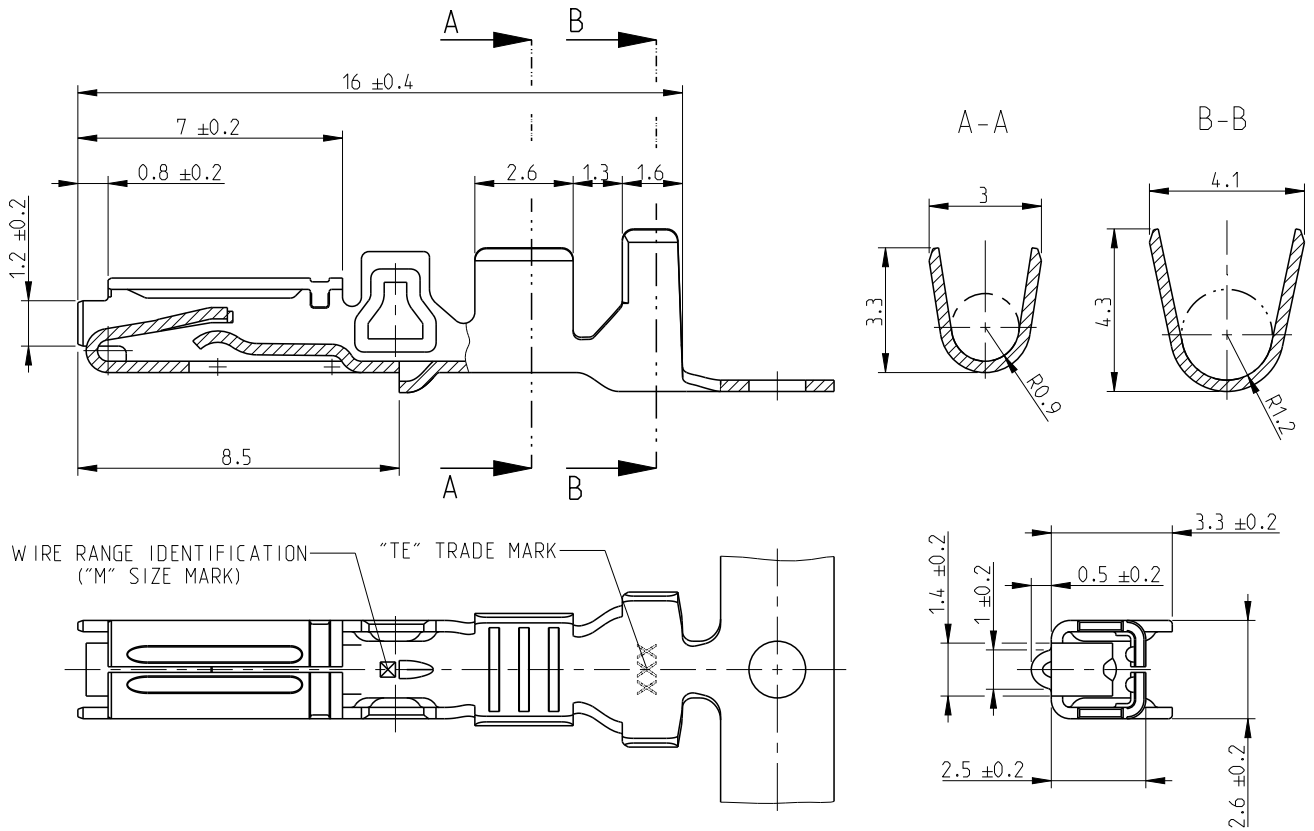


REVISIONS					
P	LTR	DESCRIPTION	DATE	DWN	APVD
	A3	Redrawn to Creo	08MAR2017	JJH	JP



1. DELIVERY STATE: ITEM IS SUPPLIED REELED ON CARTON REEL WITH STRIP PITCH = 11.9 ± 0.2 mm
 STATO DI FORNITURA: AVVOLTI SU BOBINA CON PASSO TRA TERMINALI DI = 11.9 ± 0.2 mm

CUSTOMER DRAWING FOR INFORMATION ONLY
 DISEGNO PER CLIENTE SOLO PER RIFERIMENTO

THIS DRAWING IS UNPUBLISHED. BY - ALL RIGHTS RESERVED. COPYRIGHT © 20

A3

INS. DIA. RANGE (DIAM. ISOLANTE)	WIRE RANGE (RANGO FILO)
$\varnothing 1.9 - 2.4$ mm	$0.75 - 1.5$ mm ²

PRE-TIN (PRE-STAGNATO)	BRONZO FOSF. (PHOS. BRONZE)	284088-2
PRE-TIN (PRE-STAGNATO)	BRASS (OTTONE)	284088-1
FINISH/COLOUR (FINITURE/COLORE)	MATERIAL (MATERIALE)	PART NUMBER

DIMENSIONS: mm	DWN Q. CANUTO 17 JUL 1996	MATERIAL -	FINISH -										
TOLERANCES UNLESS OTHERWISE SPECIFIED:	CHK A. BRUNI 17 JUL 1996	TE Connectivity											
<table border="1"> <tr> <td>PLC</td> <td>\pm</td> </tr> <tr> <td>1 PLC</td> <td>\pm</td> </tr> <tr> <td>2 PLC</td> <td>\pm</td> </tr> <tr> <td>3 PLC</td> <td>\pm</td> </tr> <tr> <td>4 PLC</td> <td>\pm</td> </tr> </table> ±0.3	PLC			\pm	1 PLC	\pm	2 PLC	\pm	3 PLC	\pm	4 PLC	\pm	APVD -
PLC	\pm												
1 PLC	\pm												
2 PLC	\pm												
3 PLC	\pm												
4 PLC	\pm												
<table border="1"> <tr> <td>ANGLES</td> <td>$\pm 2^\circ$</td> </tr> </table>	ANGLES	$\pm 2^\circ$	PRODUCT SPEC 108-20175	RESTRICTED TO -									
ANGLES	$\pm 2^\circ$												
	APPLICATION SPEC 114-20098	SIZE A4	CAGE CODE -	DRAWING NO C=284088	SCALE 5:1	SHEET 1 OF 1	REV A3						
	WEIGHT -	CUSTOMER DRAWING											

X-ON Electronics

Largest Supplier of Electrical and Electronic Components

Click to view similar products for [Automotive Connectors](#) category:

Click to view products by [TE Connectivity](#) manufacturer:

Other Similar products are found below :

[003-018-000](#) [60403001](#) [60993906-B](#) [M902-2131](#) [M902-2161](#) [72.330.1035.1](#) [73.353.4028.0](#) [F119300-B](#) [F166900](#) [F258300-B](#) [F358300-B](#)
[F407400](#) [F444110](#) [F487000](#) [F509500B-B](#) [827153-1](#) [8N1515-32-24P](#) [9-1326729-8](#) [925474-1](#) [928905-1](#) [964562-4](#) [968782-1](#) [GT17SA-8DS-](#)
[HU](#) [98891-1012](#) [98947-1016](#) [12004147](#) [12004475-L](#) [12010290](#) [12010309-B](#) [12015454](#) [12020219-B](#) [12020308](#) [12041318-B](#) [12052225-L](#)
[12052466](#) [12059125](#) [12064869](#) [12004327-B](#) [12010503-B](#) [12015308](#) [12015384](#) [12015909](#) [1-21030-1](#) [12041254](#) [12041318](#) [12047946-B](#)
[12047957](#) [12047957-L](#) [12059473](#) [12066261](#)