

THIS DRAWING IS UNPUBLISHED.

RELEASED FOR PUBLICATION

20

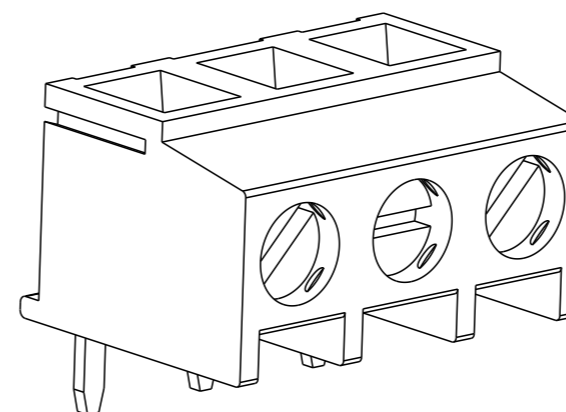
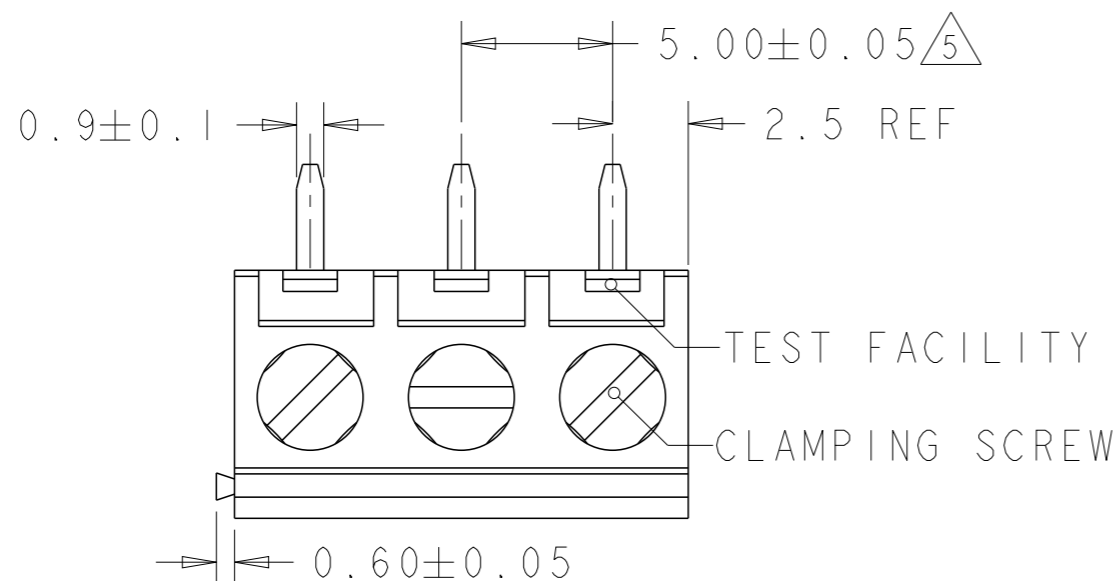
© COPYRIGHT 20 BY -

ALL RIGHTS RESERVED.

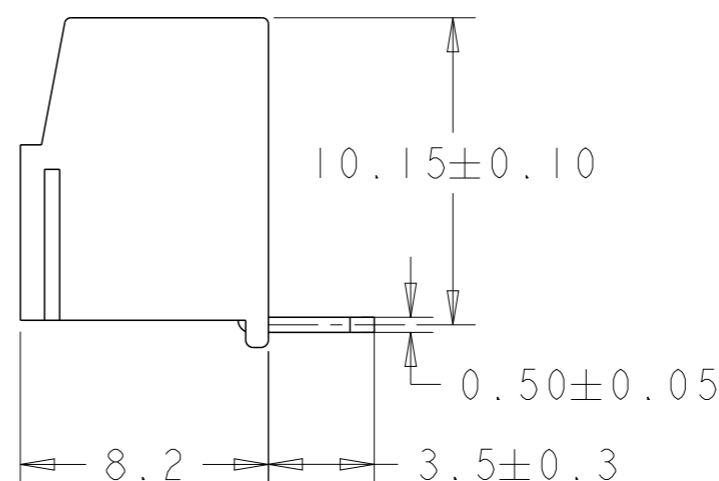
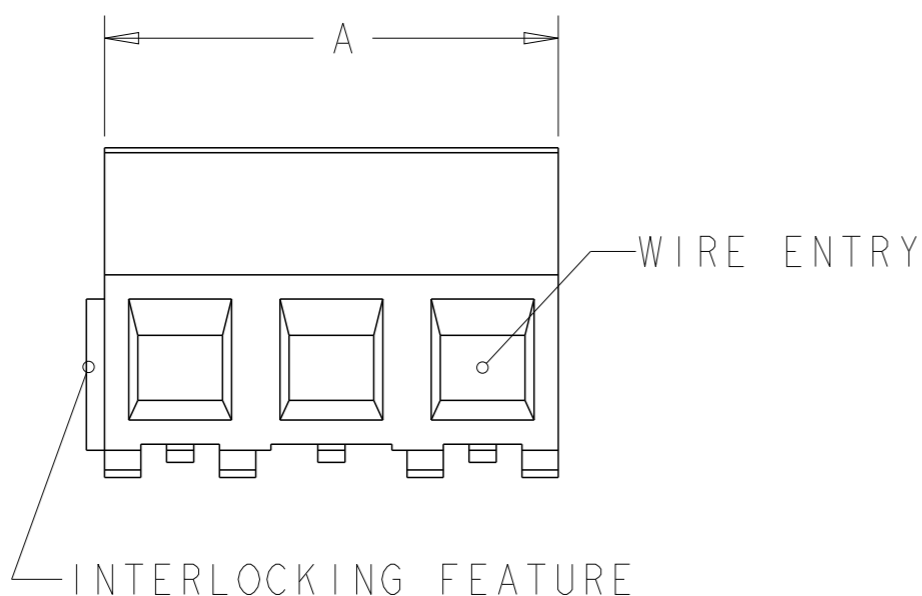
LOC	DIST
FT	0

REVISIONS

P	LTR	DESCRIPTION	DATE	DWN	APVD
	E	PACKAGING CHANGED FROM BLACK POLYURETHANE SPONGE TO TRAY	06MAR2018	RK	PS

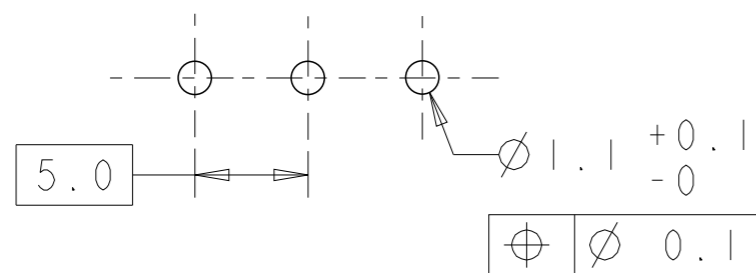


284093-3 AS SHOWN



DIM. A	NO OF POS.	PART NUMBER
125.0	25	2-284093-5
120.0	24	2-284093-4
115.0	23	2-284093-3
110.0	22	2-284093-2
105.0	21	2-284093-1
100.0	20	2-284093-0
95.0	19	1-284093-9
90.0	18	1-284093-8
85.0	17	1-284093-7
80.0	16	1-284093-6
75.0	15	1-282093-5
70.0	14	1-284093-4
65.0	13	1-284093-3
60.0	12	1-284093-2
55.0	11	1-284093-1
50.0	10	1-284093-0
45.0	9	284093-9
40.0	8	284093-8
35.0	7	284093-7
30.0	6	284093-6
25.0	5	284093-5
20.0	4	284093-4
15.0	3	284093-3
10.0	2	284093-2

RECOMMENDED PC BOARD LAYOUT



THIS DRAWING IS A CONTROLLED DOCUMENT.

DIMENSIONS: mm

TOLERANCES UNLESS OTHERWISE SPECIFIED:

- 0 PLC ±.3
- 1 PLC ±.3
- 2 PLC ±.25
- 3 PLC ±.
- 4 PLC ±.
- ANGLES ±2
- FINISH

MATERIAL



DWN E. ZANOLINI IOSEP2001

CHK D. BIEVENOUR IOSEP2001

APVD D. BIEVENOUR IOSEP2001

PRODUCT SPEC

108-20166

APPLICATION SPEC

114-20079

WEIGHT -

CUSTOMER DRAWING

**STE** TE Connectivity

NAME: TERMINAL BLOCK, PCB MOUNT  
TOP ENTRY WIRE, STACKING  
W/INTERLOCK, 5.00mm PITCH

SIZE	CAGE CODE	DRAWING NO	RESTRICTED TO
A3	00779	C-284093	-

SCALE: 4:1 SHEET 1 OF 2 REV E

THIS DRAWING IS UNPUBLISHED.

RELEASED FOR PUBLICATION

20

© COPYRIGHT 20

BY -

ALL RIGHTS RESERVED.

LOC  
FT

DIST  
0

REVISIONS

P	LTR	DESCRIPTION	DATE	DWN	APVD
	-	SEE SHEET 1	-	-	-

NOTES:

1 MATERIALS AND FINISH  
 HOUSING: PA 6-6, UL 94-V0, COLOR GREEN.  
 CLAMP: BRASS, NICKEL PLATED.  
 TERMINAL: BRASS, TIN PLATED.  
 CLAMPING SCREW: M3, BRASS, NICKEL PLATED.

2. MECHANICAL  
 WIRE STRIPPING LENGTH : 5.0-6.0 mm  
 MIN. PC BOARD HOLES DIAMETER : 1.1 mm  
 MAX. PC BOARD THICKNESS : 2.4 mm  
 RECOMMENDED TIGHTENING TORQUE FOR SCREW : 0.5 Nm.

3. ELECTRICAL  
 WIRE RANGE : 16-30 AWG  
 MAX. VOLTAGE : 300 V  
 MAX CURRENT : 13.5 A  
 CONTACT RESISTANCE : <15 m Ohm  
 INSULATION RESISTANCE : >1000 M Ohm (500V DC)


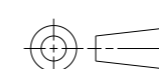
4. END-TO-END STACKABLE W/INTERLOCK WITHOUT LOSS OF CENTERLINE SPACING.

5 NOT CUMULATIVE TOLERANCE.

6. PART COMPLIES WITH EN 60335-1.

7. PACKED IN TRAY.

8 OBSOLETE.

THIS DRAWING IS A CONTROLLED DOCUMENT.		DWN E. ZANOLINI	10SEP2001		 TE Connectivity		
DIMENSIONS: mm		CHK D. BIEVENOUR	10SEP2001				
		APVD D. BIEVENOUR	10SEP2001				
TOLERANCES UNLESS OTHERWISE SPECIFIED: 0 PLC ± 1 PLC ±.3 2 PLC ±.25 3 PLC ± 4 PLC ± ANGLES ±2		PRODUCT SPEC 108-20166	NAME TERMINAL BLOCK, PCB MOUNT TOP ENTRY WIRE, STACKING W/INTERLOCK, 5.00mm PITCH				
MATERIAL	FINISH	APPLICATION SPEC 114-20079	WEIGHT -	SIZE A3	CAGE CODE 00779	DRAWING NO C-284093	RESTRICTED TO -
CUSTOMER DRAWING				SCALE 4:1	SHEET 2	OF 2	REV E

## X-ON Electronics

Largest Supplier of Electrical and Electronic Components

*Click to view similar products for [Fixed Terminal Blocks](#) category:*

*Click to view products by [TE Connectivity](#) manufacturer:*

Other Similar products are found below :

[MBE-1512](#) [MBE-154](#) [MBE-156](#) [MBES-153](#) [MBES-156](#) [MH-2512](#) [MHE-132](#) [MHE-163](#) [MI-254 \(35\)](#) [MI-272](#) [880507](#) [MPT-275](#)  
[15602-04-08-21](#) [ELM023100](#) [BA311TU](#) [BA411SU](#) [MV-152](#) [MV-252-D](#) [MV-253/NCNOC](#) [MV-254-D](#) [MV-255](#) [MV-462](#) [MV-493](#) [MVE-](#)  
[252](#) [MVE-253](#) [MVE-273](#) [MVEB-153](#) [1700096](#) [1705142](#) [1712417](#) [1713020](#) [1713088](#) [1745195](#) [1760594](#) [1776118-2](#) [1790852](#) [1-796689-8](#)  
[1-796692-6](#) [1800001](#) [1800114](#) [1995279](#) [20020314-C121B01LF](#) [CB2-12](#) [KP03215000J0G](#) [KP04215000J0G](#) [S451](#) [282802-2](#) [29.007](#) [29.116](#)  
[30.103](#)