

THIS DRAWING IS UNPUBLISHED.

RELEASED FOR PUBLICATION

20

© COPYRIGHT 19 BY -

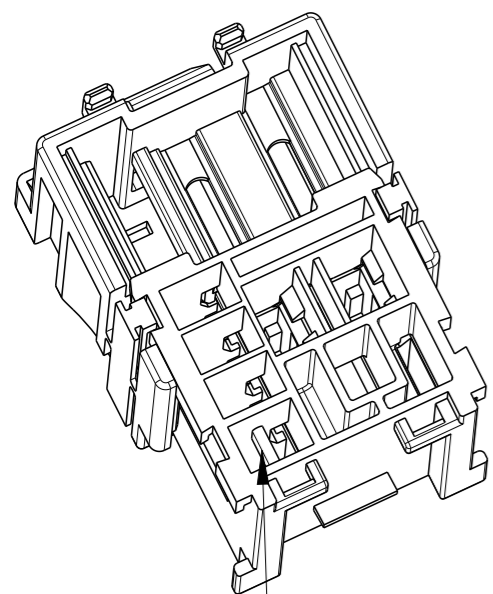
ALL RIGHTS RESERVED.

LOC 1
DIST -

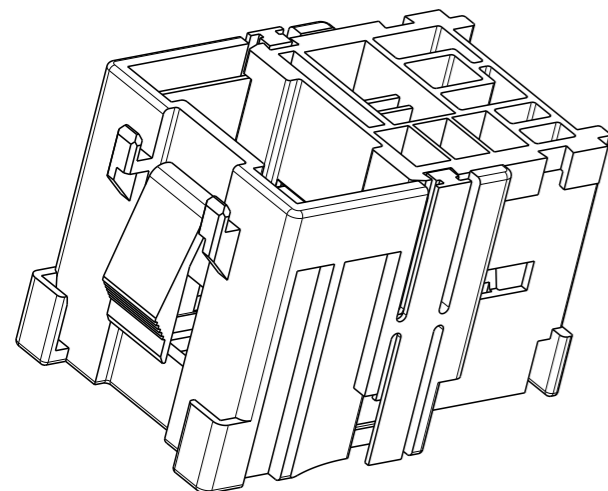
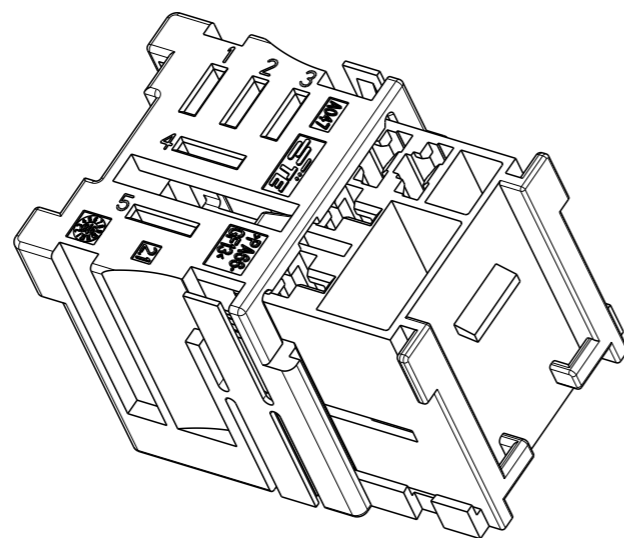
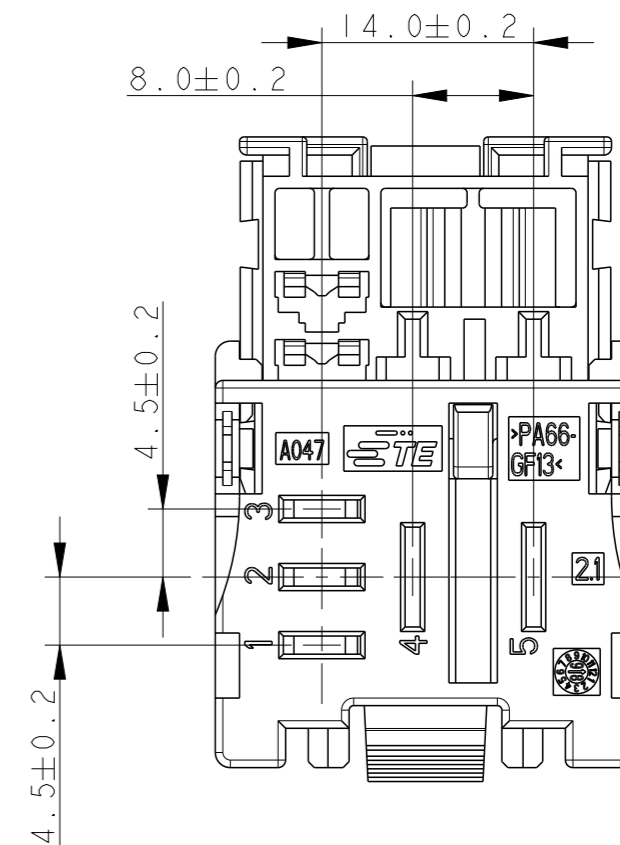
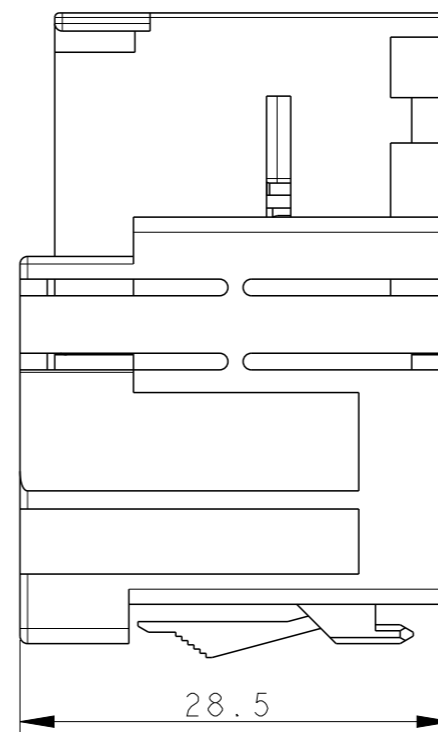
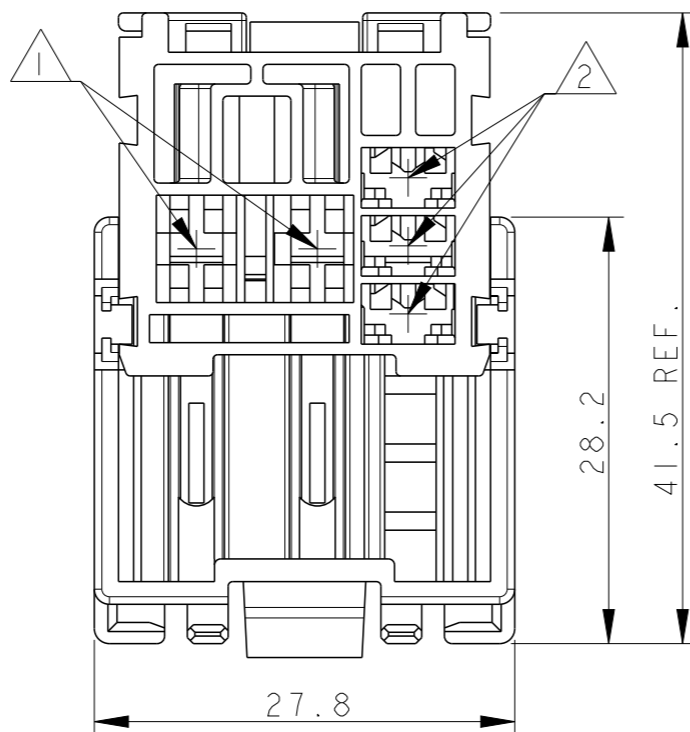
REVISIONS

P	LTR	DESCRIPTION	DATE	DWN	APVD
	D2	DRAFTING CORRECTION	04SEP2012	A.B.	M.G.
	D3	ADDED ALTERNATIVE SHAPE VERSION	20MAR2016	M.P.	M.G.

FORMA ALTERANTIVA
(ALTERNATIVE SHAPE)



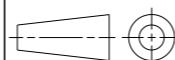
PARETE DIVISORIA
RIBASSATA
(SEPARATION WALL
LOWERED)



VERDE (GREEN)	PA 6.6 GF	D	284106-5
MARRONE (BROWN)		D	284106-4
ROSSO (RED)		D	284106-3
NERO (BLACK)		D	284106-2
NATURALE (NATURAL)		D	284106-1
COLORE (COLOUR)	MATERIALE (MATERIAL)	REV.	NUMERO (PART NUMBER)

THIS DRAWING IS A CONTROLLED DOCUMENT.

DIMENSIONS:
mm



TOLERANCES UNLESS
OTHERWISE SPECIFIED:

0 PLC	±0.3
1 PLC	±-
2 PLC	±-
3 PLC	±-
4 PLC	±-
ANGLES	±2
FINISH	SEE TABLE

MATERIAL SEE TABLE

FINISH SEE TABLE

DWN	C. PIA	15JUN98
CHK	A. GENTA	15JUN98
APVD	A. BRUNI	15JUN98
PRODUCT SPEC	108-	
APPLICATION SPEC	114-	
WEIGHT	-	

CUSTOMER DRAWING



NAME
5 POS. MODULAR CONN FOR
MICRO-RELAY WITH SECONDARY LOCK

SIZE	CAGE CODE	DRAWING NO	RESTRICTED TO
A3	00779	C-284106	-

SCALE 2:1 SHEET 1 OF 2 REV D3

4

3

2

1

THIS DRAWING IS UNPUBLISHED.

RELEASED FOR PUBLICATION

20

© COPYRIGHT 19 BY -

ALL RIGHTS RESERVED.

LOC

DIST

REVISIONS

P

LTR

DESCRIPTION

DATE

DWN

APVD

SEE SHEET 1

ASOLE ADDIZIONALI PER ASSEMBLAGGIO MULTIPLO
(ADDITIONAL SLOTS FOR MULTIPLE MOUNTING)ASOLE PER ASSEMBLAGGIO SINGOLO
(SLOTS FOR SINGLE MOUNTING)

Sm. 0.3x45°

LATO INSERZIONE
(INSERTION SIDE)

1.0±0.1

28.0

30.0

16.4

22.0^{+0.2}

13.3^{+0.2}

6.5

15.5

15.7^{+0.2}

24.7^{-0.2}

52.0 MAX

55.0 MAX

26.0 REF.

26.0 REF.

RAPPRESENTAZIONE MODULARITA' SCALA 1:1
NON ASSEMBLARE PIU' DI 2 CONNETTORI INSIEME
(SKETCH SHOWING CONNECTORS MODULARITY SCALE 1:1
DO NOT ASSEMBLE MORE THAN 2 CONNECTORS TOGETHER)

DIMENSIONI RELAY
(RELAY DIMENSIONS)

4.5

4.5

14.0

8.0

4.8

6.3

11.3

3.3

PRELIMINARY

1

N°2 CAVITA' ADATTE PER TERMINALI STANDARD POWER TIMER P/N:
(N°2 CAVITIES SUITABLE FOR STANDARD POWER TIMER CONTACTS P/N:)
927829-5 FINISH: SILVERED, WIRE RANGE: 2.5-4.0 sqmm
(FINITURA: ARGENTATO, RANGO FILO: 2.5-4.0 sqmm)
1241818-5 FINISH: SILVERED, WIRE RANGE: 6.0 sqmm
(FINITURA: ARGENTATO, RANGO FILO: 6.0 sqmm)

2

N°3 CAVITA' ADATTE PER TERMINALI POSITIVE LOCK MARK II, .187 SERIES P/N:
(N°3 CAVITIES SUITABLE FOR POSITIVE LOCK MARK II, .187 SERIES CONTACTS P/N:)
173690-1 FINISH: PRE-TIN, WIRE RANGE: 0.35-0.5 sqmm
(FINITURA: PRE-STAGNATO, RANGO FILO: 0.35-0.5 sqmm)
173691-1 FINISH: PRE-TIN, WIRE RANGE: >0.5-1.0 sqmm
(FINITURA: PRE-STAGNATO, RANGO FILO: >0.50-1.0 sqmm)
1318306-1 FINISH: PRE-TIN, WIRE RANGE: >1.0-2.5 sqmm
(FINITURA: PRE-STAGNATO, RANGO FILO: >1.0-2.5 sqmm)

THIS DRAWING IS A CONTROLLED DOCUMENT.

DWN 15JUN98

C. PIA

CHK 15JUN98

A. GENTA

APVD 15JUN98

A. BRUNI

PRODUCT SPEC

108-

APPLICATION SPEC

114-

WEIGHT

-

CUSTOMER DRAWING

DIMENSIONS:

mm

TOLERANCES UNLESS OTHERWISE SPECIFIED:

0 PLC ±0.3

1 PLC ±-

2 PLC ±-

3 PLC ±-

4 PLC ±-

ANGLES ±2

FINISH SEE TABLE

MATERIAL

SEE TABLE

SEE TABLE

15JUN98

15JUN98

15JUN98

108-

114-

-

-

-

-

-

-

-

-

STE

TE Connectivity

NAME

5 POS. MODULAR CONN FOR
MICRO-RELAY WITH SECONDARY LOCK

SIZE

CAGE CODE

DRAWING NO

RESTRICTED TO

A3

00779

C=284106

-

CUSTOMER DRAWING

SCALE 2:1

SHEET 2 OF 2

REV D3

1470-19 (3/11)

X-ON Electronics

Largest Supplier of Electrical and Electronic Components

Click to view similar products for [Automotive Connectors](#) category:

Click to view products by [TE Connectivity](#) manufacturer:

Other Similar products are found below :

[003-018-000](#) [60403001](#) [60993906-B](#) [M902-2131](#) [M902-2161](#) [M902-2344](#) [72.330.1035.1](#) [73.353.4028.0](#) [F119300-B](#) [F166900](#) [F258300-B](#)
[F358300-B](#) [F407400](#) [F444110](#) [F487000](#) [F509500B-B](#) [827153-1](#) [8N1515-32-24P](#) [9-1326729-8](#) [925474-1](#) [928905-1](#) [964562-4](#) [968782-1](#)
[GT17SA-8DS-HU](#) [98891-1012](#) [98947-1016](#) [12004147](#) [12004475-L](#) [12010290](#) [12010309-B](#) [12015454](#) [12020219-B](#) [12041318-B](#) [12052225-](#)
[L](#) [12052466](#) [12064869](#) [12004327-B](#) [12015308](#) [12015384](#) [12015909](#) [1-21030-1](#) [12041254](#) [12041318](#) [12047946-B](#) [12047957](#) [12047957-L](#)
[12059473](#) [12066261](#) [12110546](#) [12110546-B](#)