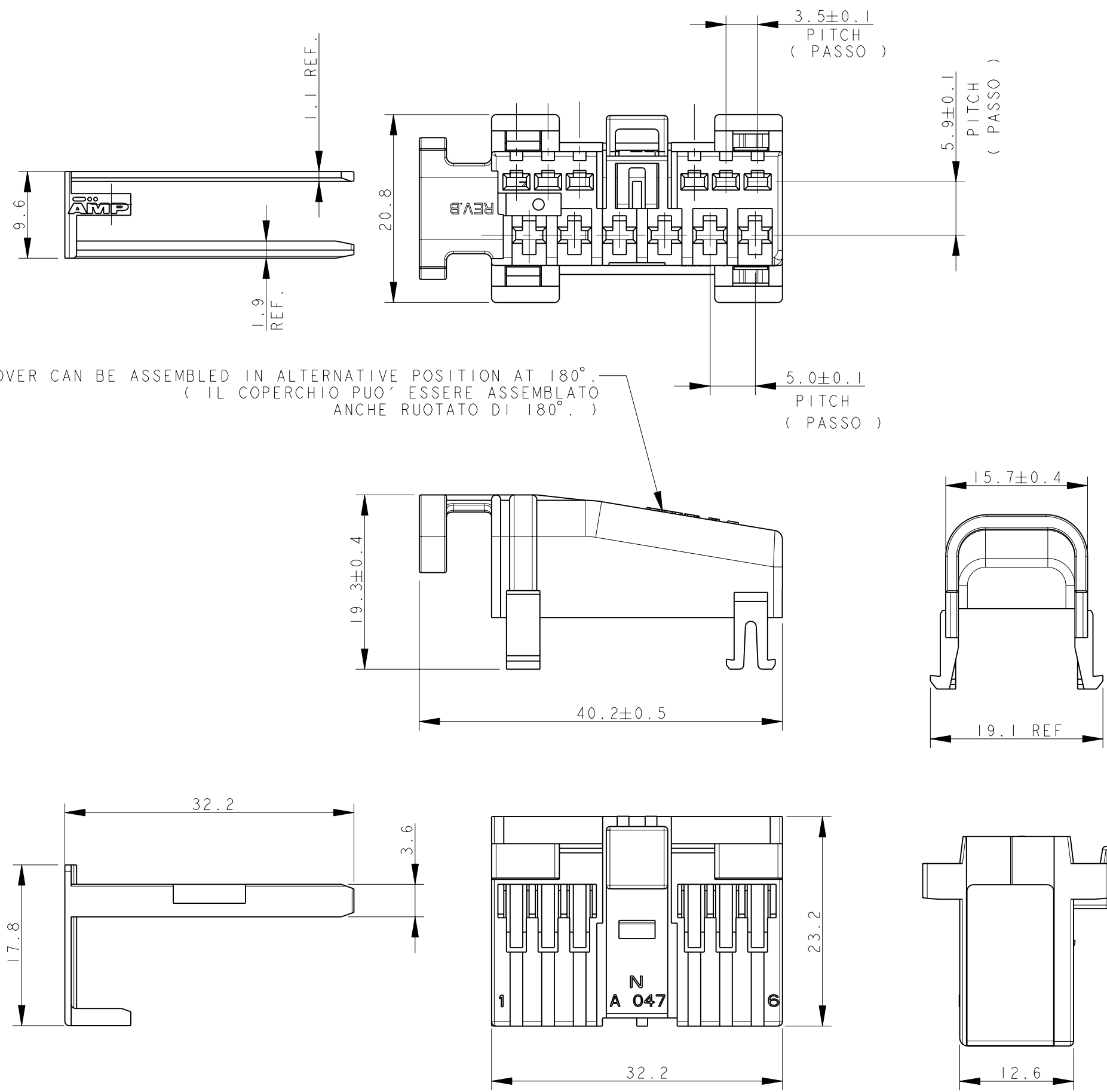


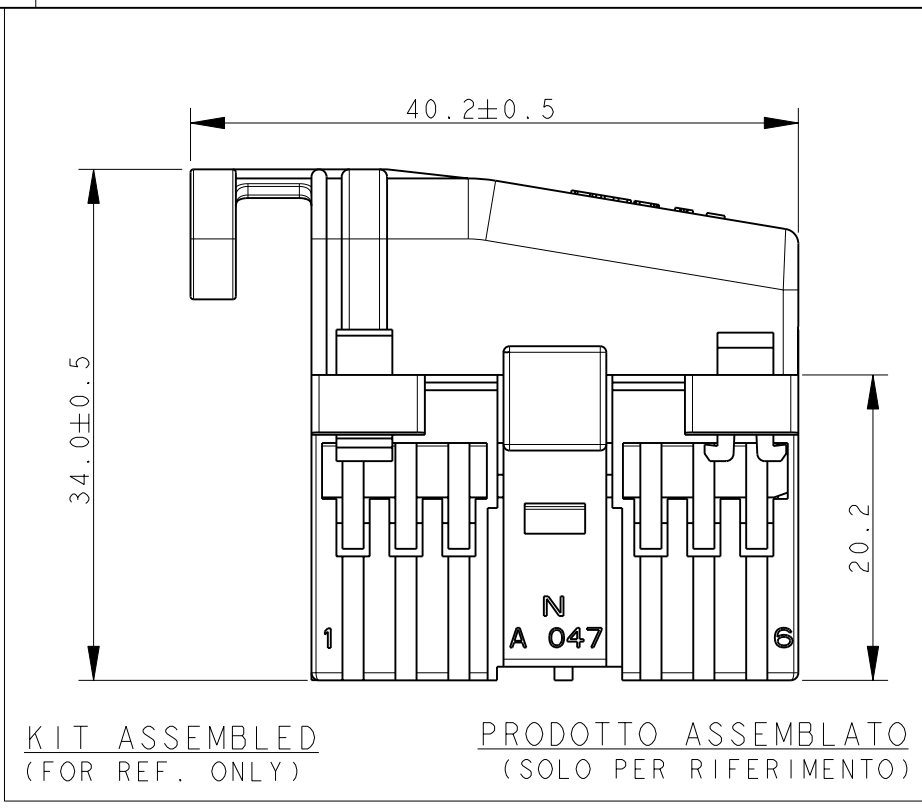
THIS DRAWING IS UNPUBLISHED. RELEASED FOR PUBLICATION 2011  
 © COPYRIGHT 2011 BY - ALL RIGHTS RESERVED.



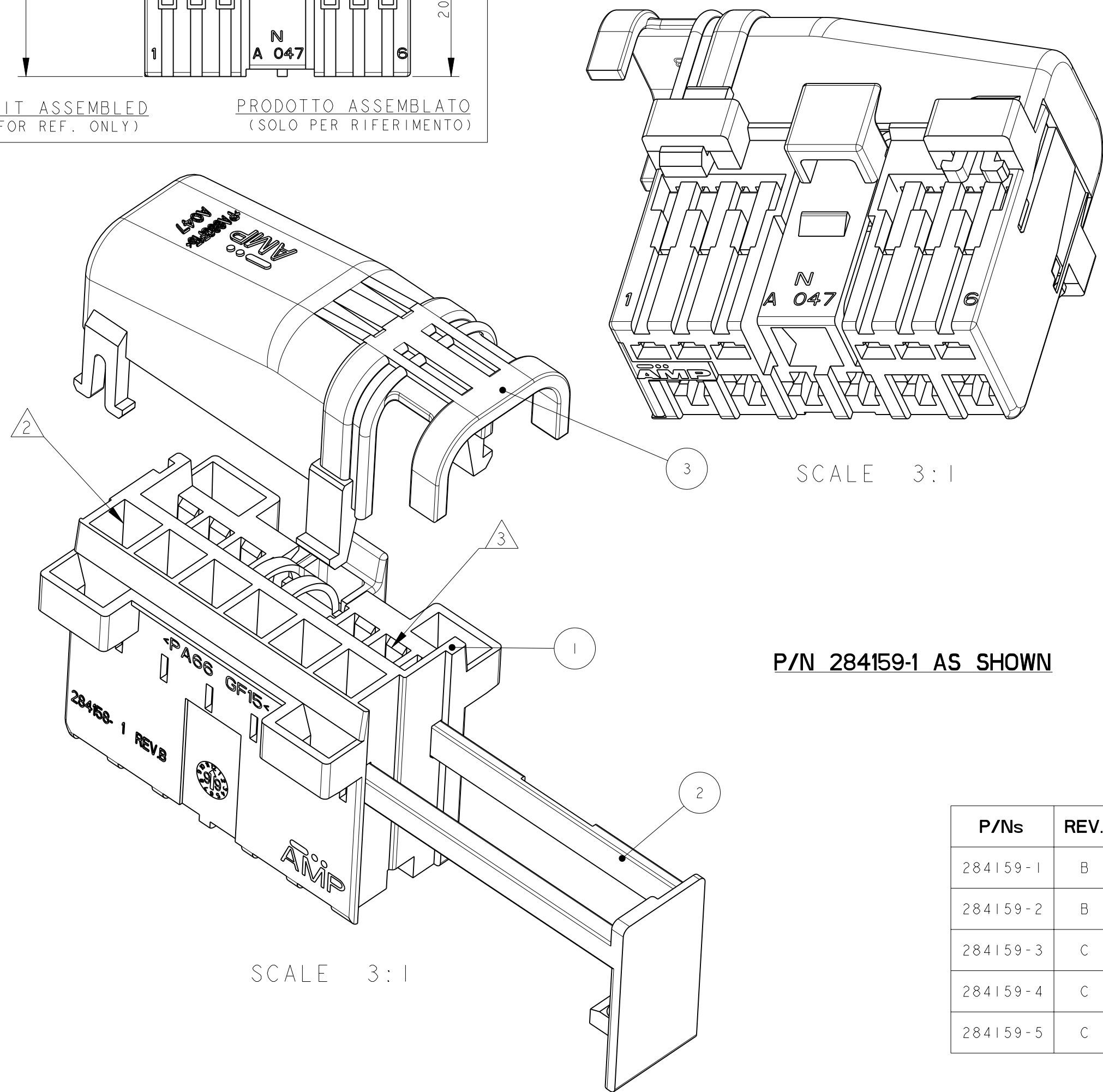
COVER CAN BE ASSEMBLED IN ALTERNATIVE POSITION AT 180°.  
 ( IL COPERCHIO PUO' ESSERE ASSEMBLATO ANCHE RUOTATO DI 180°.)

NOTE:

1. HOUSING, COVER AND SECONDARY LOCK ARE SUPPLIED UNASSEMBLED WITH EQUAL NUMBER OF PIECES FOR EACH COMPONENT IN A BOX.  
 ( BLOCCHETTO PORTA FEMMINE, COPERCHIO E AGGANCIO SECONDARIO FORNITI NON ASSEMBLATI IN KIT CON PARI NUMERO DI PEZZI. )
  2. N.° 6 CAVITIES FOR JPT CONTACTS P/N 965999-2 OR P/N 927768-3.  
 ( NUMERO 6 CAVITA' PER CONTATTO TIPO JPT P/N 965999-2 O P/N 927768-3 )
  3. N.° 6 CAVITIES FOR 070 NEW GENERATION P/N's :  
 -284087-1  
 -284088-1  
 ( NUMERO 6 CAVITA' PER CONTATTO 070 NUOVA GENERAZIONE P/N's: )  
 - 284087-1;  
 - 284088-1.
  4. KIT IS SO COMPOSED:  
 ( IL KIT E' COSI' COMPOSTO: )
- ① -HOUSING IN PA 6.6 GF COLOR NATURAL;  
 ( BLOCCHETTO PORTA CONTATTI IN PA 6.6 CARICATO VETRO COLORE NATURALE. )
  - ② -SECONDARY LOCK IN PA 6.6 GF COLOR RED.  
 ( AGGANCIO SECONDARIO IN PA 6.6 CARICATO VETRO COLORE ROSSO. )
  - ③ -COVER IN PA 6.6 GF COLOR BLACK  
 ( COPERCHIO IN PA 6.6 CARICATO VETRO COLORE NERO. )



REVISIONS					
P	LTR	DESCRIPTION	DATE	DWN	APVD
B1		RELEASED FOR PRODUCTION (ET00-0315-99)	02MAR1999	G.S.	O.C.
B2		REVISED AND REDRAWN (ET00-0362-99)	16NOV1999	G.S.	O.C.
C		ADDED SH 3 WITH NEW VERS.(ET00-0046-00)	29FEB2000	F.C.	O.C.
C1		RELEASED FOR PROD NEW VERS(ET00-0257-01)	03DEC2001	F.A.	O.C.
C2		REVISED PER ECR-11-019179	26SEP2011	M.G.	M.G.



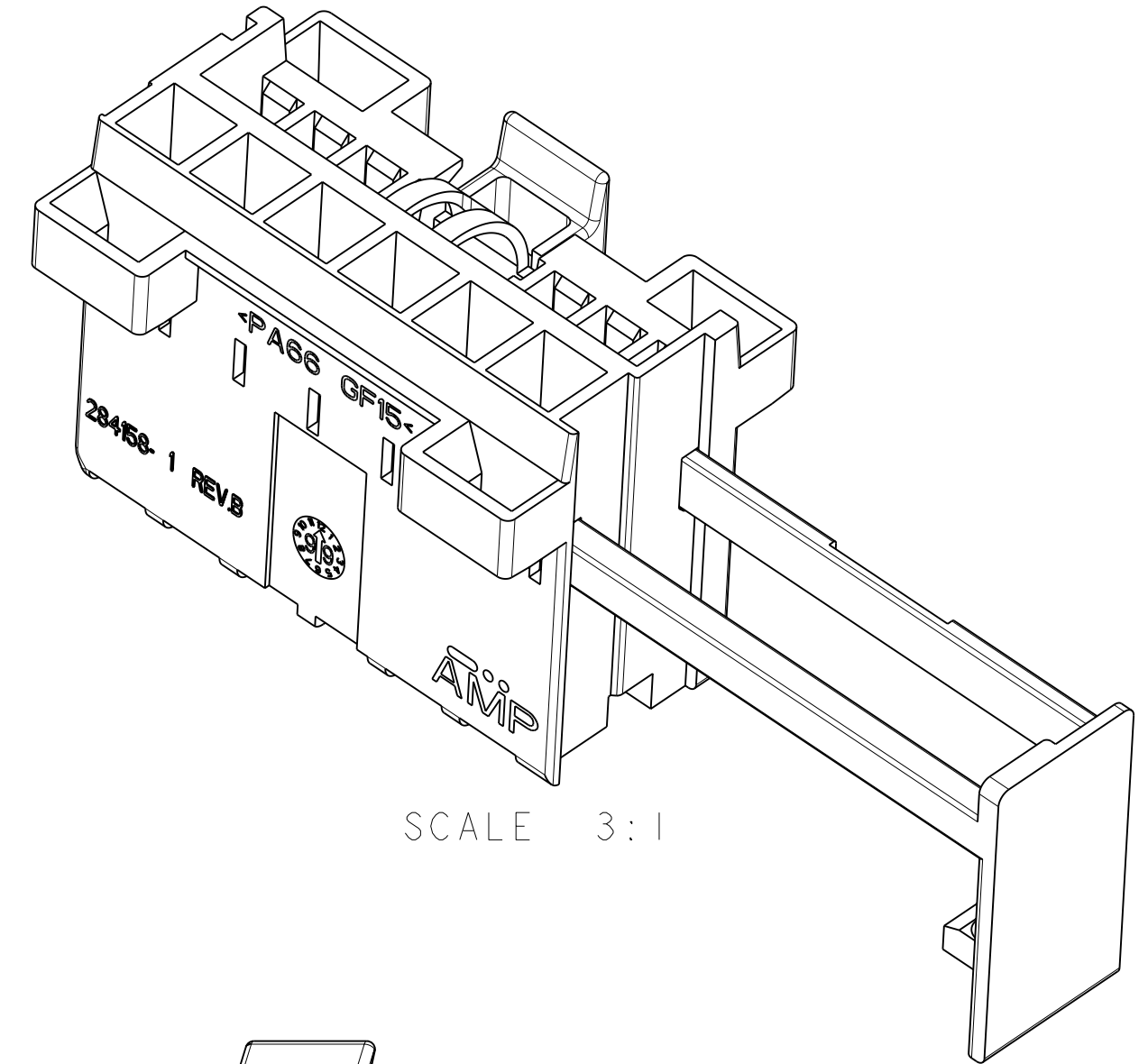
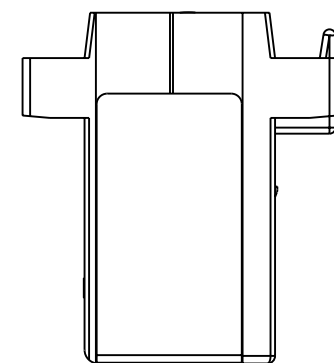
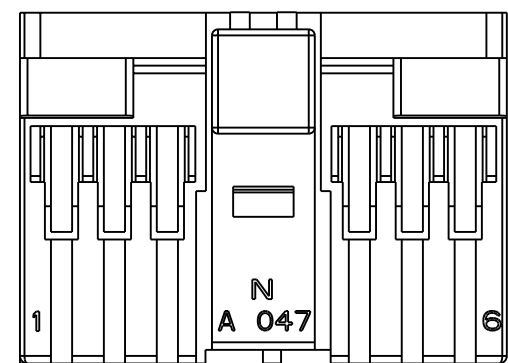
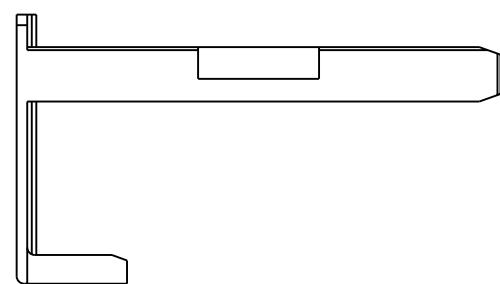
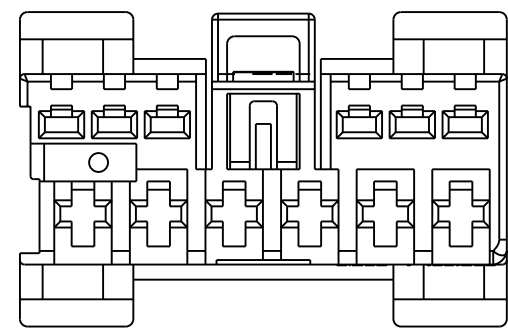
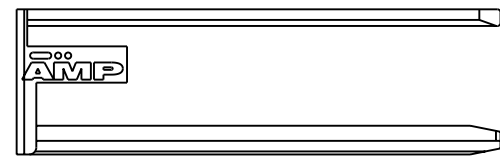
P/N 284159-1 AS SHOWN

P/Ns	REV.
284159-1	B
284159-2	B
284159-3	C
284159-4	C
284159-5	C

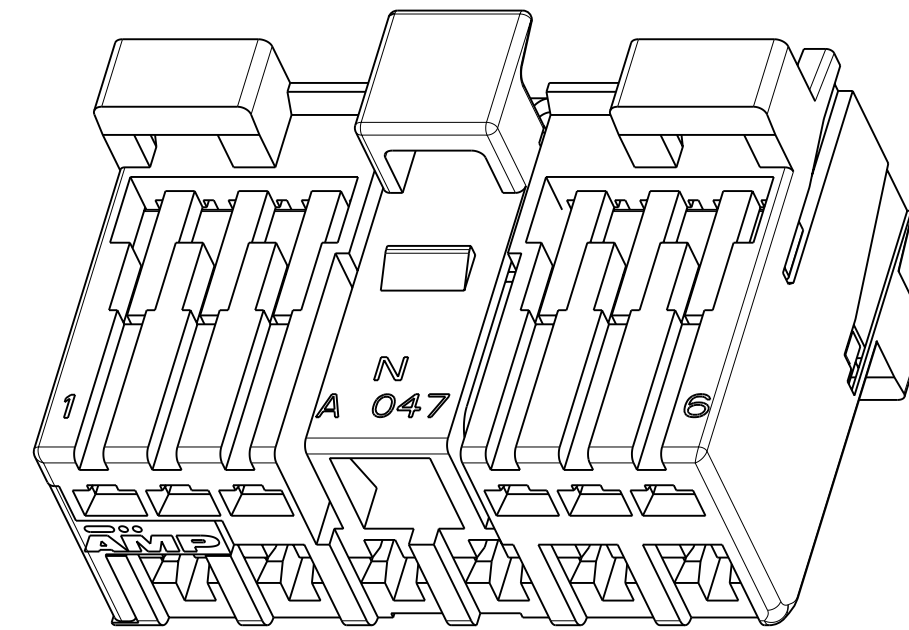
THIS DRAWING IS A CONTROLLED DOCUMENT.

DIMENSIONS: mm	TOLERANCES UNLESS OTHERWISE SPECIFIED: 0 PLC ± 1 PLC ±0.3 2 PLC ± 3 PLC ± 4 PLC ± ANGLES ±°	DWN A. MARANGON 29 JAN 99 CHK O. CANUTO 29 JAN 99 APVD -	TE Connectivity	
MATERIAL SEE NOTES	FINISH	PRODUCT SPEC 108-20198	NAME 12 POSITIONS 070/JPT FEMALE CONNECTOR KIT	
CUSTOMER DRAWING		WEIGHT -	SIZE A2	CAGE CODE 20779
SCALE 2:1		DRAWING NO C-284159	RESTRICTED TO -	
SHEET 1 OF 3		REV C2		

LOC		DIST		REVISIONS			
P	LTR	DESCRIPTION	DATE	DWN	APVD		
		SEE SHEET 1 (VEDERE FOGLIO 1)					



SCALE 3:1



SCALE 3:1

P/N 284159-2 AS SHOWN

NOTE:

- P/N KIT 284159-2 IS THE SAME OF KIT P/N 284159-1 EXCEPT THE COVER: SEE SHEET 1.  
( IL KIT P/N 284159-2 DIFFERISCE DAL KIT P/N 284159-1 PER LA MANCANZA DEL COPERCHIO. VEDERE FOGLIO 1. )
- HOUSING AND SECONDARY LOCK ARE SUPPLIED UNASSEMBLED, WITH EQUAL NUMBER OF PIECES FOR EACH COMPONENT IN A BOX.  
( BLOCCHETTO PORTA FEMMINE E AGGANCIO SECONDARIO FORNITI NON ASSEMBLATI IN KIT CON PARI NUMERO DI PEZZI. )

THIS DRAWING IS A CONTROLLED DOCUMENT.		DWN A. MARANGON 29 JAN 99	TE Connectivity	
		CHK O. CANUTO 29 JAN 99		
DIMENSIONS: mm		PRODUCT SPEC 108-20198		12 POSITIONS 070/JPT FEMALE CONNECTOR KIT
TOLERANCES UNLESS OTHERWISE SPECIFIED: 0 PLC ± 1 PLC ±0.3 2 PLC ± 3 PLC ± 4 PLC ± ANGLES ±° FINISH		APPLICATION SPEC		RESTRICTED TO
MATERIAL SEE SHEET 1		WEIGHT		SIZE A200779
		CUSTOMER DRAWING		CAGE CODE C-284159
		SCALE 2:1		DRAWING NO SHEET 2 OF 3
				REV C2

REVISIONS			
LOC	DIST	P	LTR
DESCRIPTION		DATE	DWN
SEE SHEET 1 (VEDERE FOGLIO 1)			APVD

P/N	RAPPRESENTAZIONE 3D (3D VIEW)	COLORE BLOCCHETTO (COLOUR HOUSING)	CONTROPARTE (COUNTERPART)
284159-3		VERDE (GREEN)	284162-3
284159-4		BLU (BLUE)	284162-4
284159-5		GRIGIO (GREY)	284162-5

THIS DRAWING IS A CONTROLLED DOCUMENT.		DWN A MARANGON 29 JAN 99	TE Connectivity	
		CHK O CANUTO 29 JAN 99		
DIMENSIONS: mm		APVD -	NAME	
TOLERANCES UNLESS OTHERWISE SPECIFIED:		PRODUCT SPEC 108-20198	12 POSITIONS 070/JPT FEMALE CONNECTOR KIT	
0 PLC ±-		APPLICATION SPEC -	SIZE A207779	DRAWING NO C-284159
1 PLC ±0.3		WEIGHT -	RESTRICTED TO -	
2 PLC ±-		SCALE 2:1 SHEET 3 OF 3 REV C2		
3 PLC ±-		CUSTOMER DRAWING		
4 PLC ±-				
ANGLES ±°				
FINISH				
SEE SHEET 1				

## X-ON Electronics

Largest Supplier of Electrical and Electronic Components

*Click to view similar products for [Automotive Connectors](#) category:*

*Click to view products by [TE Connectivity](#) manufacturer:*

Other Similar products are found below :

[003-018-000](#) [60403001](#) [60993906-B](#) [M902-2131](#) [M902-2161](#) [72.330.1035.1](#) [73.353.4028.0](#) [F119300-B](#) [F166900](#) [F258300-B](#) [F358300-B](#)  
[F407400](#) [F444110](#) [F487000](#) [F509500B-B](#) [827153-1](#) [8N1515-32-24P](#) [9-1326729-8](#) [925474-1](#) [928905-1](#) [964562-4](#) [968782-1](#) [GT17SA-8DS-](#)  
[HU](#) [98891-1012](#) [98947-1016](#) [12004147](#) [12004475-L](#) [12010290](#) [12010309-B](#) [12015454](#) [12020219-B](#) [12020308](#) [12041318-B](#) [12052225-L](#)  
[12052466](#) [12059125](#) [12064869](#) [12004327-B](#) [12010503-B](#) [12015308](#) [12015384](#) [12015909](#) [1-21030-1](#) [12041254](#) [12041318](#) [12047946-B](#)  
[12047957](#) [12047957-L](#) [12059473](#) [12066261](#)