

THIS DRAWING IS UNPUBLISHED.

RELEASED FOR PUBLICATION

,19

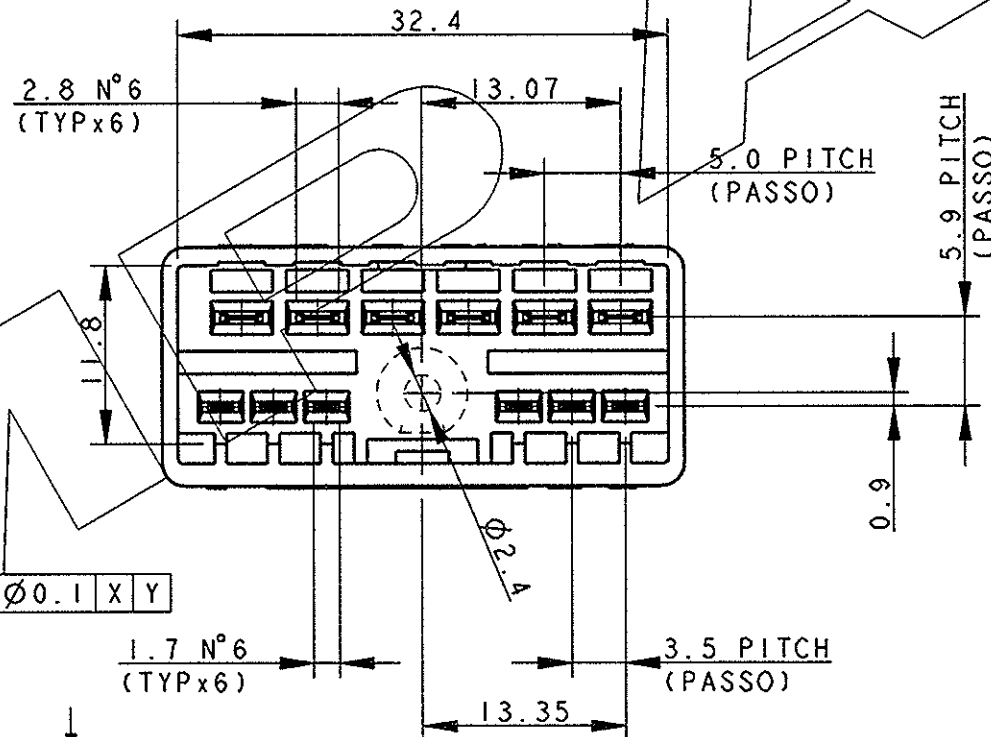
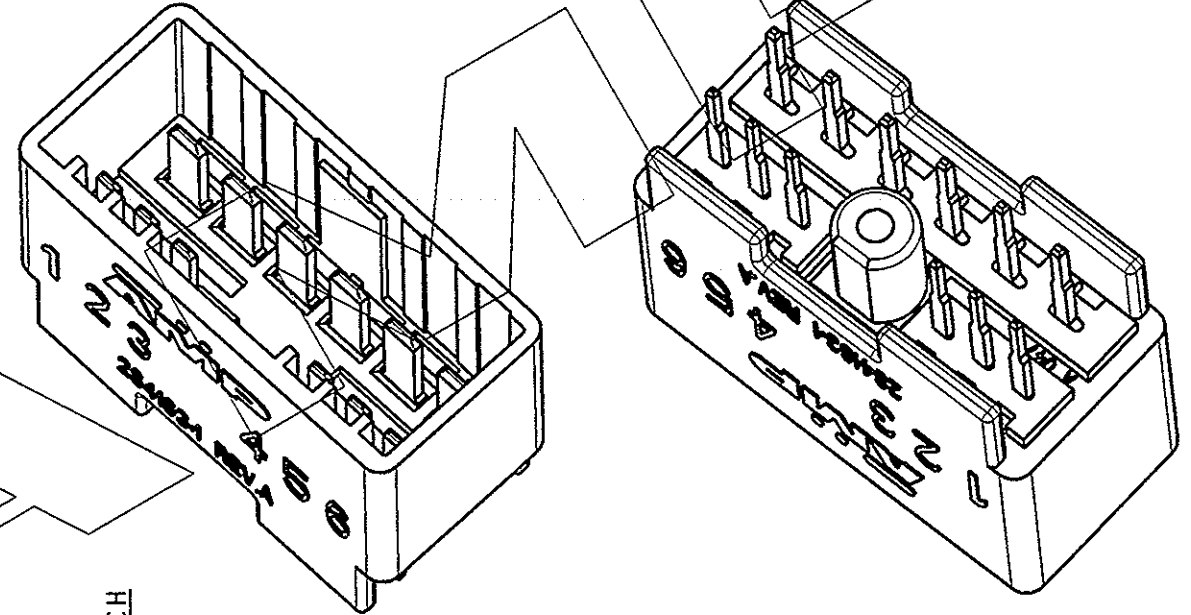
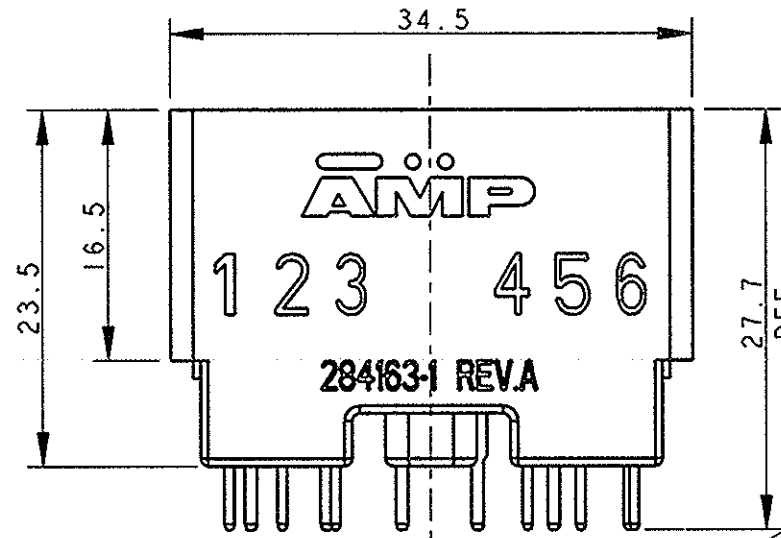
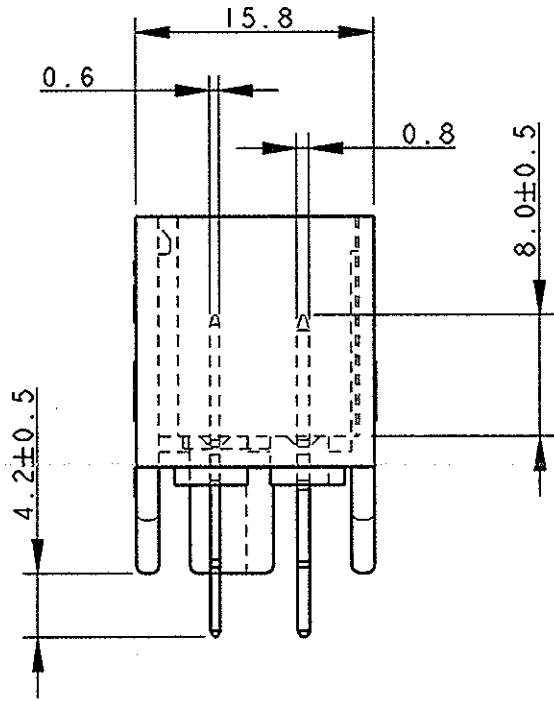
© COPYRIGHT 19

BY AMP INCORPORATED. ALL RIGHTS RESERVED.

LOC DIST

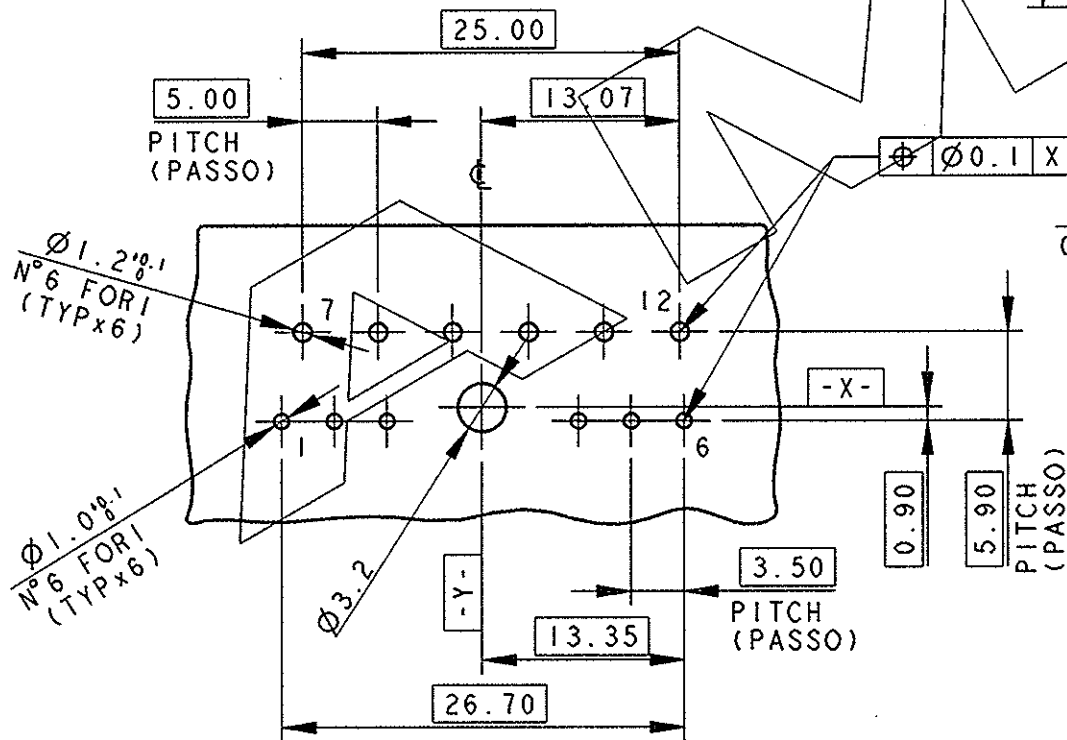
REVISIONS

P	LTR	DESCRIPTION	DATE	DWN	APVD
B		REVISED FOR ET00-0025-04	23FEB2004	M. P.	O. C.
BI		UPDATED (ECR-05-006424)	13SEP2005	<i>[Signature]</i>	<i>[Signature]</i>



DIMA DI FORATURA (PCB LAYOUT)

SPESORE CIRCUITO STAMPATO 1.6±0.1 (CIRCUIT BOARD THICKNESS 1.6±0.1)



P/Ns	REV.
284162-1	B
284162-3	B
284162-4	B
284162-5	B

NOTE: (NOTES:)

1) MATERIALE: BLOCCHETTO, PBT CARICA VETRO CONTATTI, IN OTTONE STAGNATO (MATERIAL: HOUSING, PBT G.F. CONTACTS, BRASS TIN PLATED)

2) DIMA ADATTA PER CONNETTORE 12 POS. P/N 284159-1/-2 (HEADER SUITABLE FOR 12 POS. P/N 284159-1/-2)

284162-1 COME INDICATO (AS SHOWN)

THIS DRAWING IS A CONTROLLED DOCUMENT FOR AMP INCORPORATED. IT IS SUBJECT TO CHANGE AND THE CONTROLLING ENGINEERING ORGANIZATION SHOULD BE CONTACTED FOR THE LATEST REVISION.		DWN P. SANTANGELO 04MAY98	<b>AMP</b> AMP Italia S.p.A. C.so F.lli Cervi 15 Collegno (TO)
		CHK BERTINI C. 04MAY98	
DIMENSIONS: mm		APVD BRUNI A. 04MAY98	NAME 12 POS. 070/JPT HEADER ASS'Y
TOLERANCES UNLESS OTHERWISE SPECIFIED: 0 PLC ±0.3 1 PLC ±0.3 2 PLC ±0.2 3 PLC ± 4 PLC ± ANGLES ±2°		PRODUCT SPEC 108-20198	SIZE A3
MATERIAL		APPLICATION SPEC	CAGE CODE 00779
FINISH		WEIGHT	DRAWING NO C=284162
CUSTOMER DRAWING		SCALE 2:1	
		SHEET 1 OF 3	
		REV BI	

THIS DRAWING IS UNPUBLISHED.

RELEASED FOR PUBLICATION

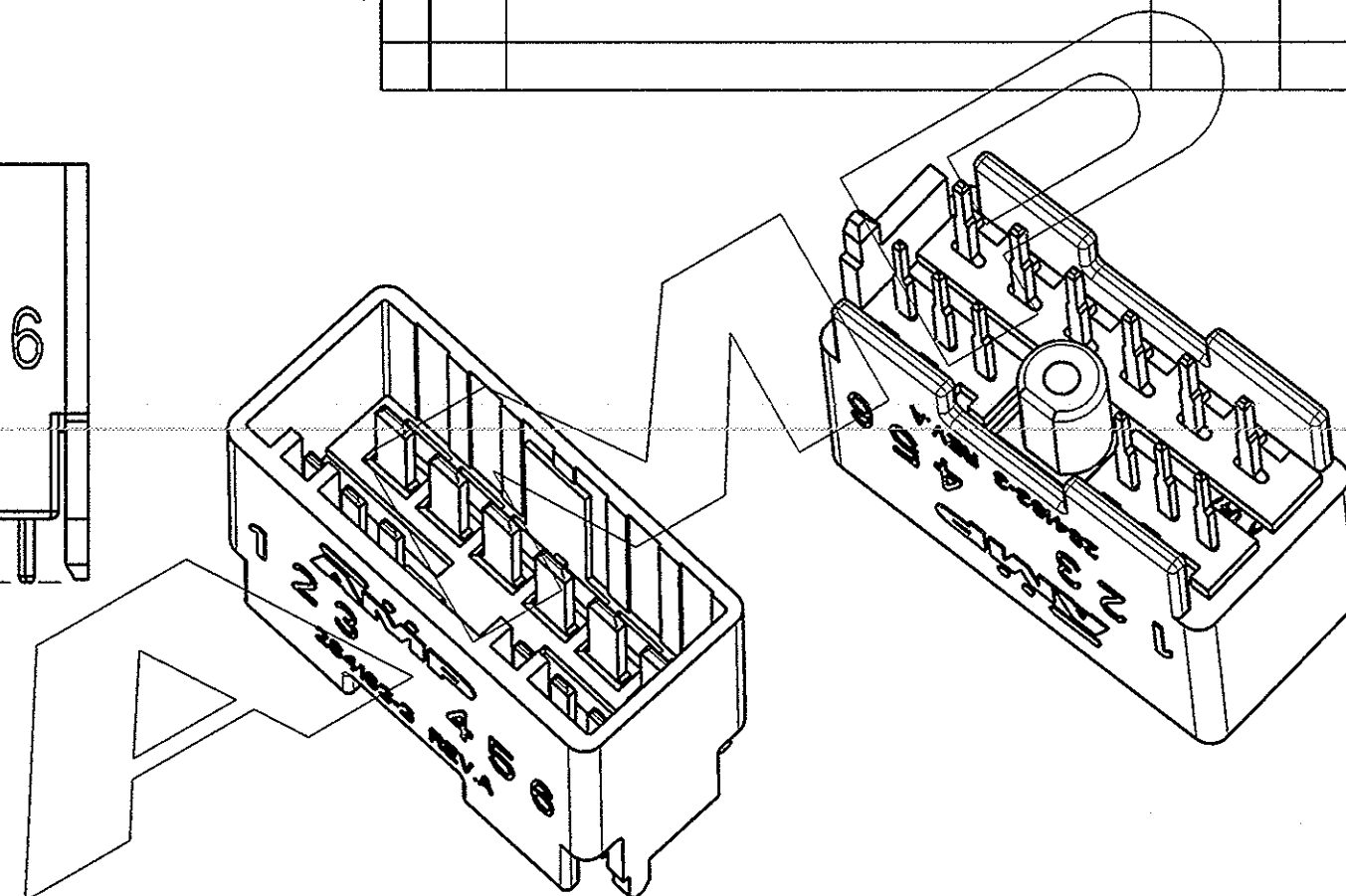
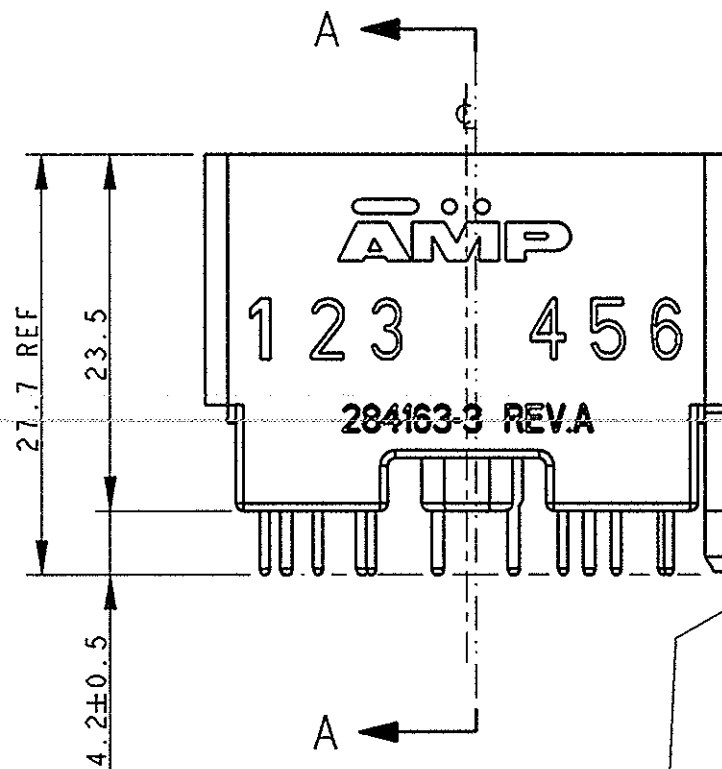
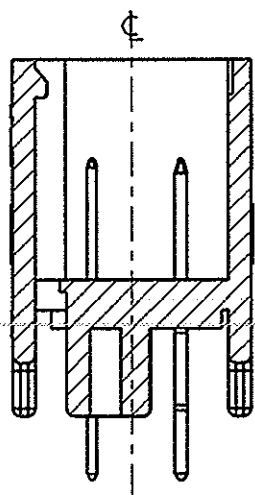
.19

© COPYRIGHT 19

BY AMP INCORPORATED. ALL RIGHTS RESERVED.

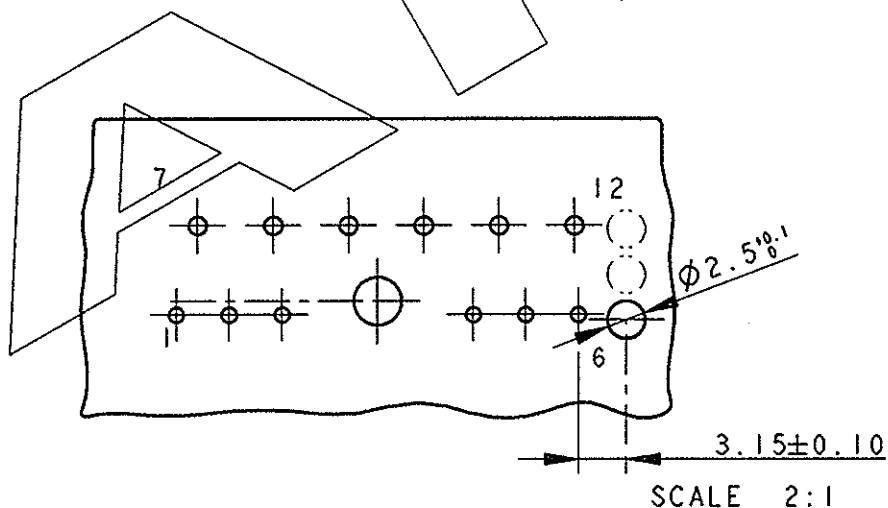
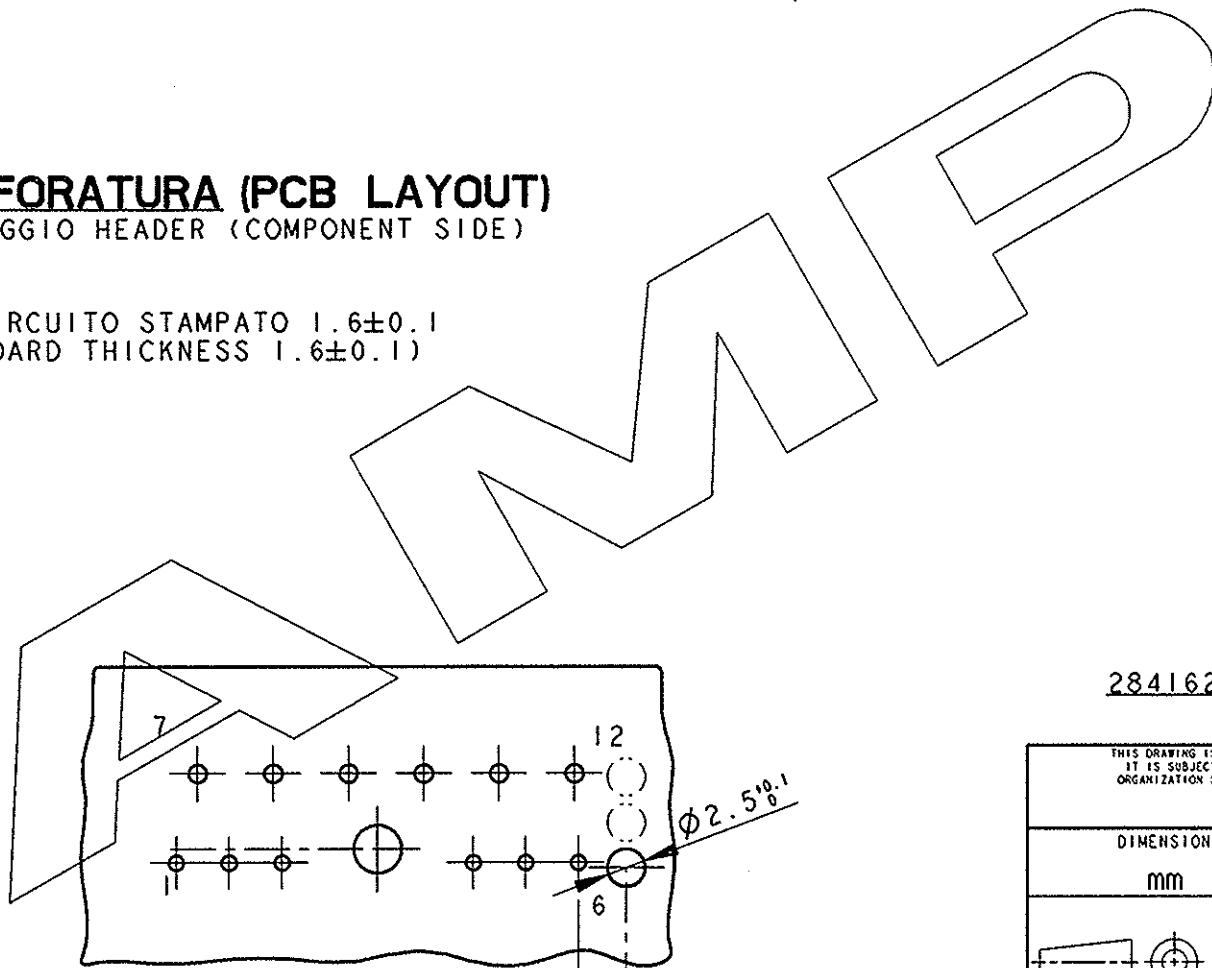
LOC	DIST	REVISIONS					
		P	LTR	DESCRIPTION	DATE	DWN	APVD
1	-	-	-	VED. FOGLIO 1/3 (SEE SHEET 1/3)	-	-	-

SECTION A-A



**DIMA DI FORATURA (PCB LAYOUT)**  
LATO MONTAGGIO HEADER (COMPONENT SIDE)

SPESSORE CIRCUITO STAMPATO 1.6±0.1  
(CIRCUIT BOARD THICKNESS 1.6±0.1)



NOTE:  
(NOTES)

- 1) MATERIALE: DIMA IN PBT CARICATO VETRO (PER COLORE VEDI FOGLIO 3/3)  
TAB IN OTTONE STAGNATO  
(MATERIAL: HEADER PBT GLASS FIBER (SEE SHEET 3/3 FOR COLOUR)  
(CONTACTS BRASS TIN PLATED)
- 2) PER DIMENSIONI E NOTE MANCANTI VEDERE P/N 284162-1, FOGLIO 1/3  
(FOR MISSING DIMENSIONS AND NOTES REFER TO P/N 284162-1, SHEET 1/3)

284162-3 COME MOSTRATO (AS SHOWN)

THIS DRAWING IS A CONTROLLED DOCUMENT FOR AMP INCORPORATED. IT IS SUBJECT TO CHANGE AND THE CONTROLLING ENGINEERING ORGANIZATION SHOULD BE CONTACTED FOR THE LATEST REVISION.		DWN G. STELLA 07JUN99	AMP Italia S.p.A. C.so F.lli Cervi 15 Collegno (TO)
DIMENSIONS: mm		CHK Q. CANUTO 07JUN99	
TOLERANCES UNLESS OTHERWISE SPECIFIED: 0 PLC ±0.3 1 PLC ±0.3 2 PLC ±0.3 3 PLC ± 4 PLC ± ANGLES ±2°		APVD A. GENTA 07JUN99	
MATERIAL		PRODUCT SPEC	NAME 12 POS. 070/JPT HEADER ASS'Y
FINISH		APPLICATION SPEC	SIZE A3
MATERIAL		WEIGHT	CAGE CODE 00779
MATERIAL		CUSTOMER DRAWING	DRAWING NO C-284162
MATERIAL		SCALE	1:1
MATERIAL		SHEET	2 OF 3
MATERIAL		REV	B1

THIS DRAWING IS UNPUBLISHED.

RELEASED FOR PUBLICATION

, 19

© COPYRIGHT 19

BY AMP INCORPORATED. ALL RIGHTS RESERVED.

LOC DIST

REVISIONS

P	LTR	DESCRIPTION	DATE	DWN	APVD
-	-	VED. FOGLIO 1/3 (SEE SHEET 1)	-	-	-

P/N

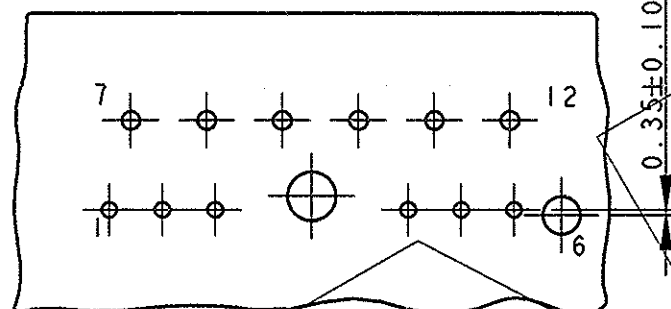
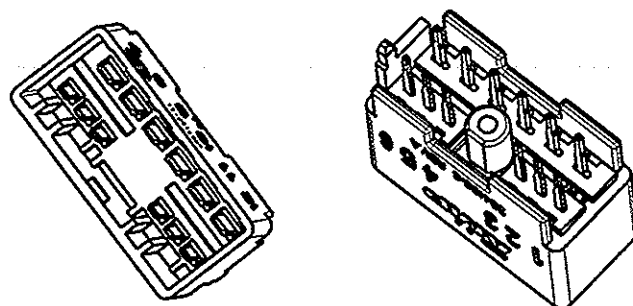
RAPPRESENTAZIONE 3D  
3D VIEW

PCB LAYOUT  
(DIMA DI FORATURA)

COLORE  
(COLOUR)

CONTROPARTE  
(COUNTERPART)

284162-3

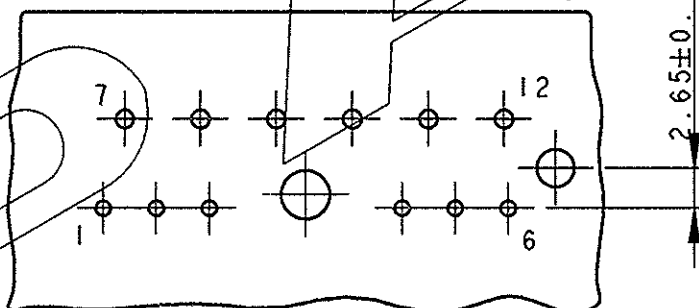
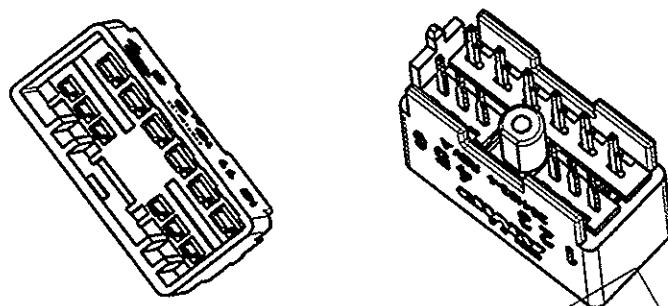


SCALE 2:1

VERDE  
(GREEN)

284159-3  
SENZA COPERCHIO  
(WITHOUT COVER)

284162-4

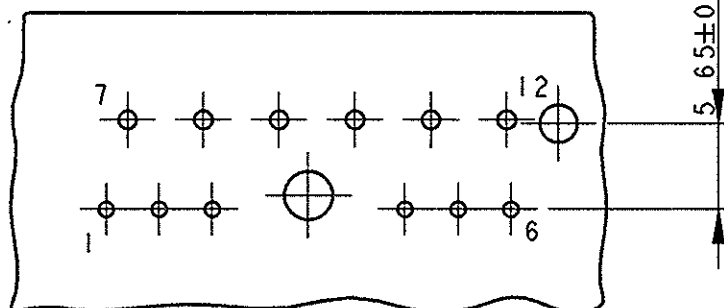
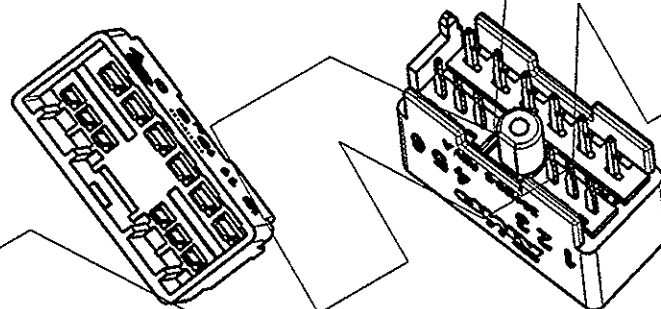


SCALE 2:1

BLU  
(BLUE)

284159-4  
SENZA COPERCHIO  
(WITHOUT COVER)

284162-5



SCALE 2:1

GRIGIO  
(GREY)

284159-5  
SENZA COPERCHIO  
(WITHOUT COVER)

THIS DRAWING IS A CONTROLLED DOCUMENT FOR AMP INCORPORATED. IT IS SUBJECT TO CHANGE AND THE CONTROLLING ENGINEERING ORGANIZATION SHOULD BE CONTACTED FOR THE LATEST REVISION.

DWN G. STELLA 07JUN99

CHK O. CANUTO 07JUN99

APVD A. GENTA 07JUN99

PRODUCT SPEC

APPLICATION SPEC

WEIGHT

CUSTOMER DRAWING

**AMP**

AMP Italia S.p.A.  
C.so F.lli Cervi 15 Collegno (TO)

NAME: 12 POS. 070/JPT HEADER ASS'Y

SIZE A3

CAGE CODE 00779

DRAWING NO

©=284162

SCALE 1:1 SHEET 3 OF 3 REV BI

DIMENSIONS:  
mm



TOLERANCES UNLESS OTHERWISE SPECIFIED:

- 0 PLC ±0.3
- 1 PLC ±0.3
- 2 PLC ±0.3
- 3 PLC ±
- 4 PLC ±
- ANGLES ±°

MATERIAL

FINISH

## X-ON Electronics

Largest Supplier of Electrical and Electronic Components

*Click to view similar products for [Automotive Connectors](#) category:*

*Click to view products by [TE Connectivity](#) manufacturer:*

Other Similar products are found below :

[003-018-000](#) [60403001](#) [60993906-B](#) [M902-2131](#) [M902-2161](#) [M902-2344](#) [72.330.1035.1](#) [73.353.4028.0](#) [F119300-B](#) [F166900](#) [F258300-B](#)  
[F358300-B](#) [F407400](#) [F444110](#) [F487000](#) [F509500B-B](#) [827153-1](#) [8N1515-32-24P](#) [9-1326729-8](#) [925474-1](#) [928905-1](#) [964562-4](#) [968782-1](#)  
[GT17SA-8DS-HU](#) [98891-1012](#) [98947-1016](#) [12004147](#) [12004475-L](#) [12010290](#) [12010309-B](#) [12015454](#) [12020219-B](#) [12041318-B](#) [12052225-](#)  
[L](#) [12052466](#) [12064869](#) [12004327-B](#) [12015308](#) [12015384](#) [12015909](#) [1-21030-1](#) [12041254](#) [12041318](#) [12047946-B](#) [12047957](#) [12047957-L](#)  
[12059473](#) [12066261](#) [12110546](#) [12110546-B](#)