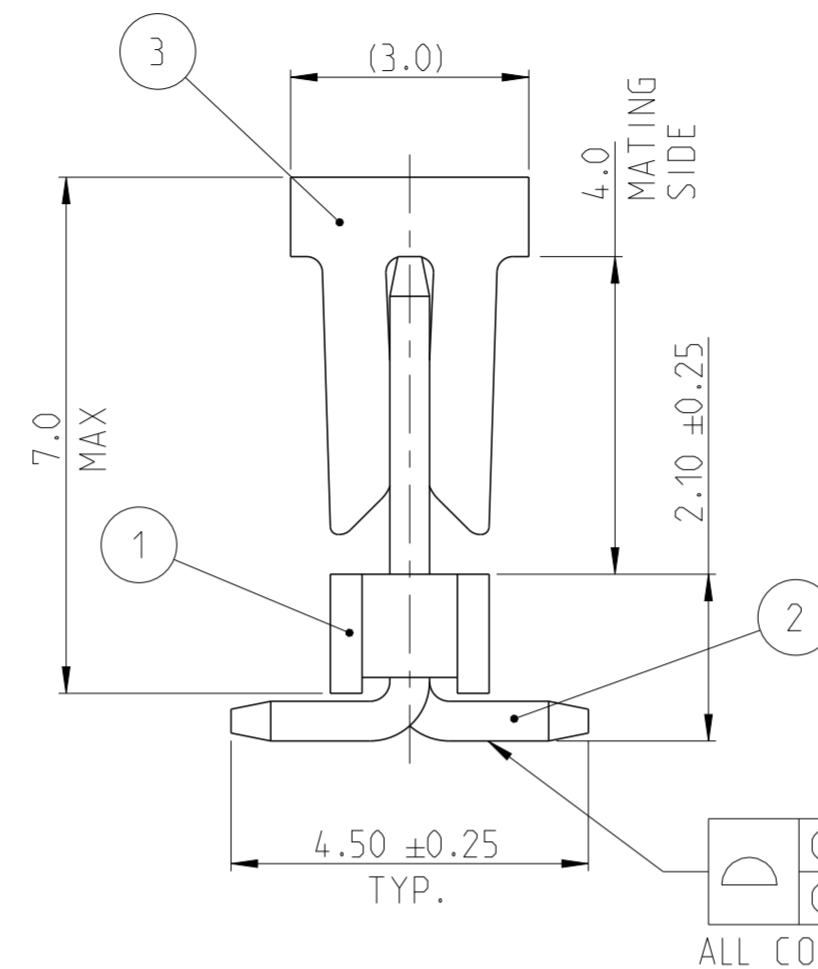
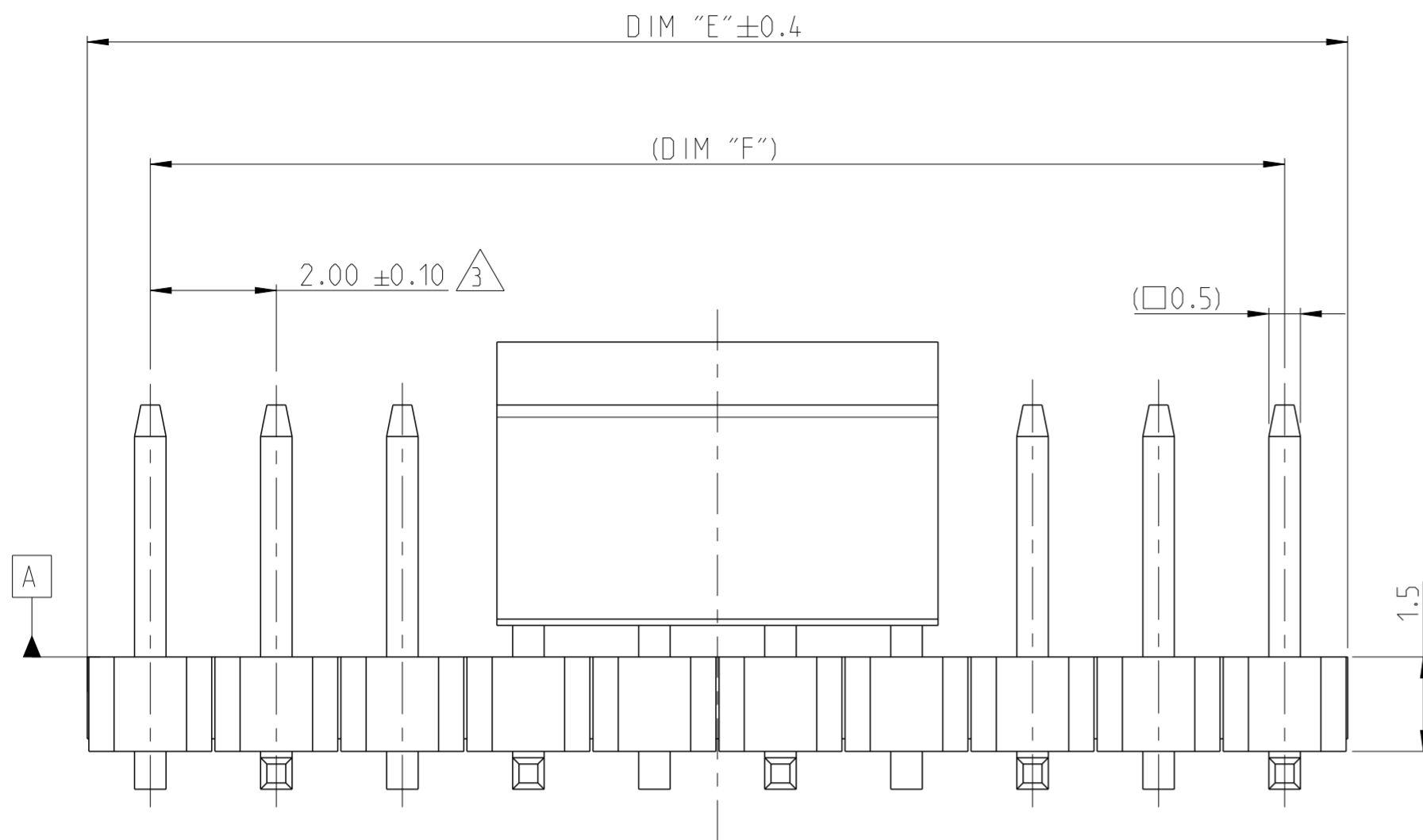


REVISIONS				
P	LTR	DESCRIPTION	DATE	APVD
A		RELEASE TO PRODUCTION	27AUG2019	AY PS
B		CHANGED P AND P CAP LENGTH FROM 6.5 TO 7.0	16DEC2019	AY PS

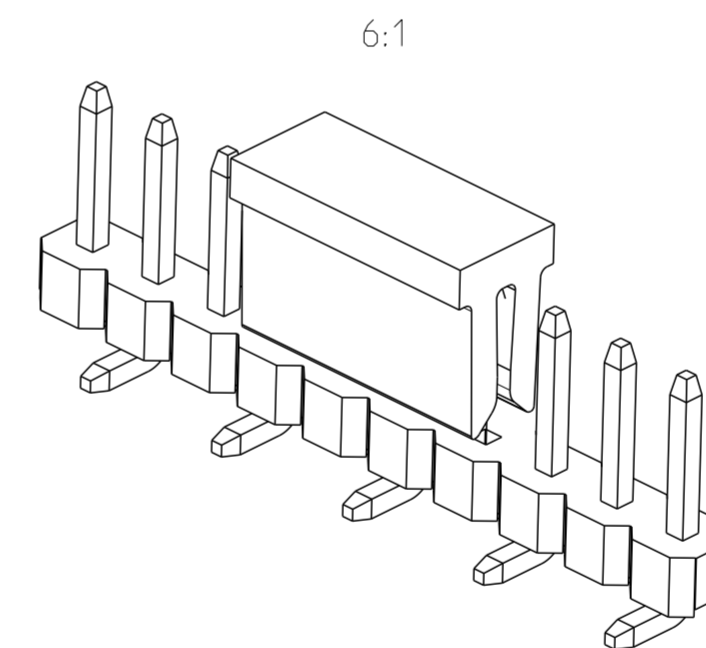
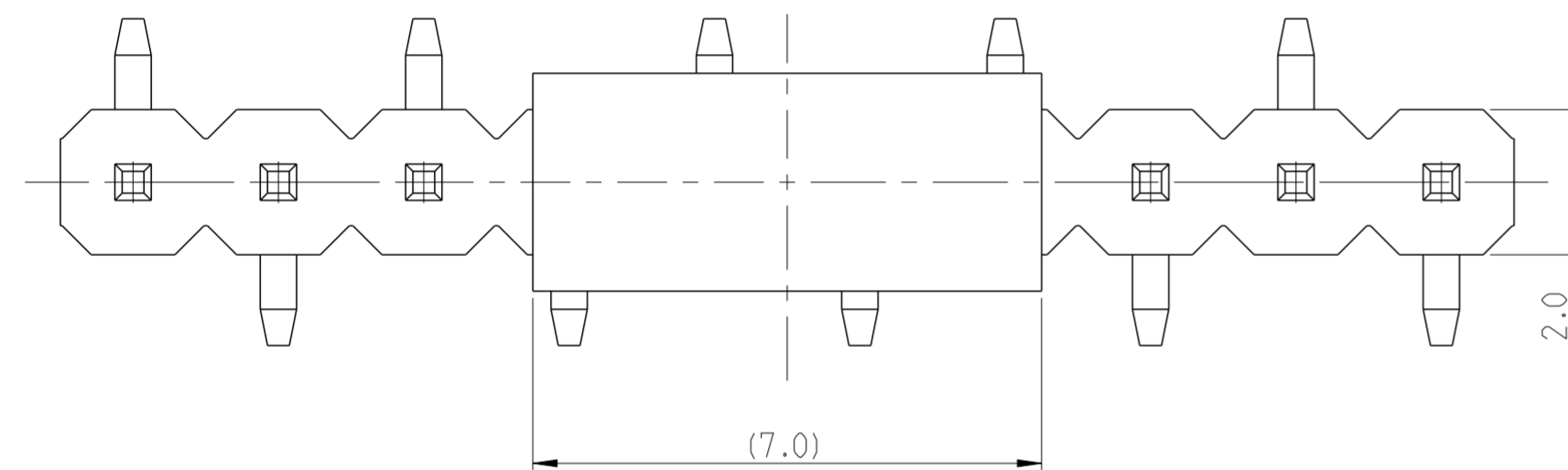


NOTES:

- MATERIAL  
HOUSING & P&P CAP : HIGH TEMPERATURE THERMOPLASTIC, UL94-V0;  
COLOR- BLACK  
CONTACT PIN : COPPER ALLOY  
FINISH :  
MATING SIDE: MIN. 0.76 μm GOLD OVER NICKEL UNDER PLATING.  
SOLDER SIDE: MIN. 2.0 μm BRIGHT TIN OVER NICKEL UNDER PLATING.
  - PACKAGING: TAPE AND REEL (WITH PICK AND PLACE CAP).
- △ TOLERANCE NOT CUMULATIVE.
4. CUTTING BURR MAX. 0.25 mm.

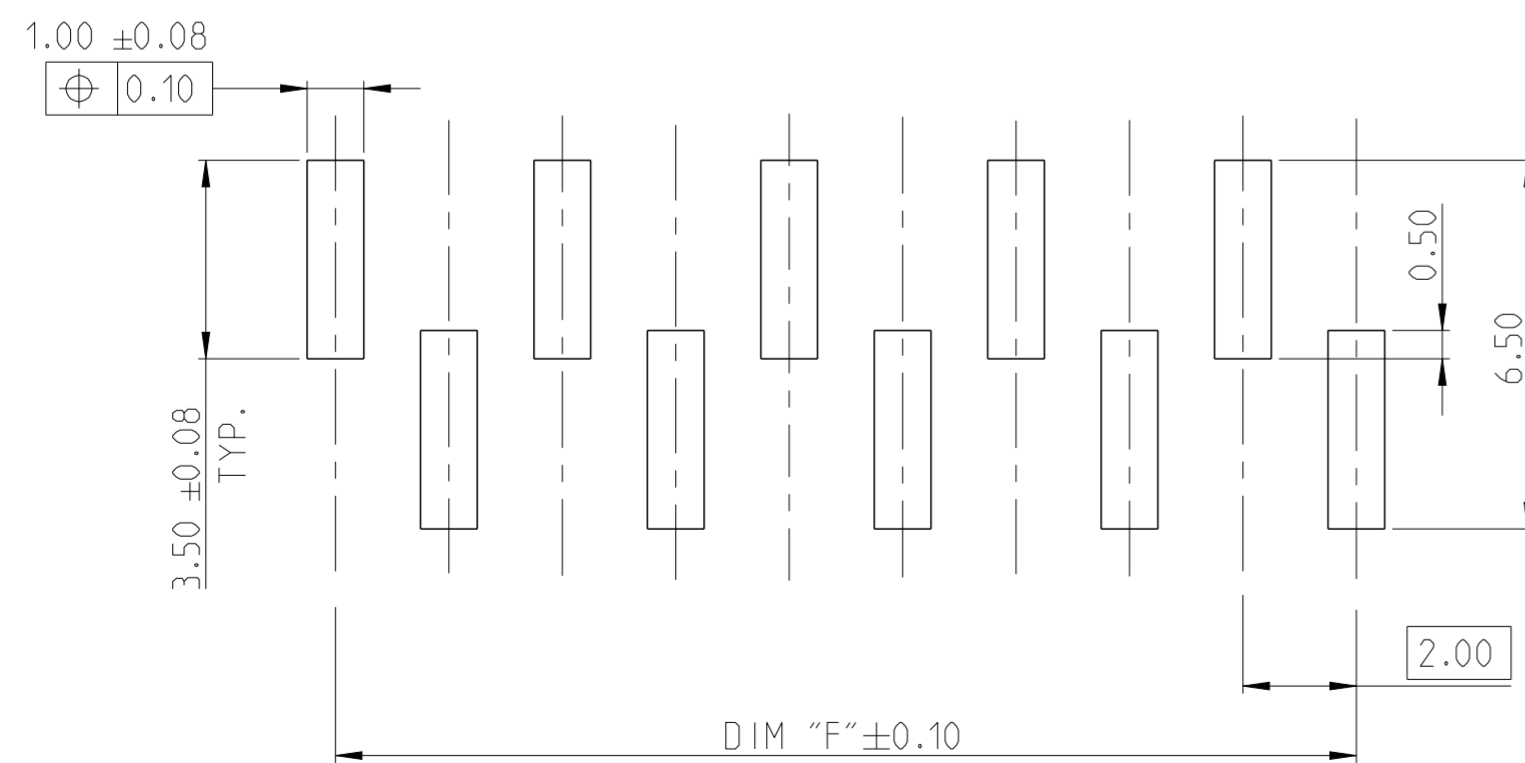
Symbol	Value	Material	Position
△	0.10	A	02-15 POS
△	0.15	A	16-25 POS

ALL CONTACTS



1-2842104-0 AS SHOWN

48.0	50.0	25	2-2842104-5
46.0	48.0	24	2-2842104-4
44.0	46.0	23	2-2842104-3
42.0	44.0	22	2-2842104-2
40.0	42.0	21	2-2842104-1
38.0	40.0	20	2-2842104-0
36.0	38.0	19	1-2842104-9
34.0	36.0	18	1-2842104-8
32.0	34.0	17	1-2842104-7
30.0	32.0	16	1-2842104-6
28.0	30.0	15	1-2842104-5
26.0	28.0	14	1-2842104-4
24.0	26.0	13	1-2842104-3
22.0	24.0	12	1-2842104-2
20.0	22.0	11	1-2842104-1
18.0	20.0	10	1-2842104-0
16.0	18.0	9	2842104-9
14.0	16.0	8	2842104-8
12.0	14.0	7	2842104-7
10.0	12.0	6	2842104-6
8.0	10.0	5	2842104-5
6.0	8.0	4	2842104-4
4.0	6.0	3	2842104-3
2.0	4.0	2	2842104-2



RECOMMENDED PCB PATTERN

PICK AND PLACE CAP	3
CONTACT PIN	2
HOUSING	1
DESCRIPTION	ITEM NO.

THIS DRAWING IS A CONTROLLED DOCUMENT.

DIMENSIONS:	TOLERANCES UNLESS OTHERWISE SPECIFIED:
mm	
0 PLC	±
1 PLC	±0.2
2 PLC	±0.15
3 PLC	±
4 PLC	±
ANGLES	±2°
FINISH	
SEE NOTES	SEE NOTES

DWN	08AUG2019
CHK	13AUG2019
APVD	14AUG2019
PRODUCT SPEC	108-64040
APPLICATION SPEC	114-32259
WEIGHT	-
CUSTOMER DRAWING	

		TE Connectivity	
NAME: AMPMODU 2mm BREAKAWAY HEADER, SINGLE ROW, VERTICAL SMD, 0.76 Au, T/R, PICK AND PLACE CAP			
SIZE	CAGE CODE	DRAWING NO	RESTRICTED TO
A2	00779	C-2842104	-
SCALE 5:1		SHEET 1 OF 1	REV B

## X-ON Electronics

Largest Supplier of Electrical and Electronic Components

*Click to view similar products for [Board to Board & Mezzanine Connectors](#) category:*

*Click to view products by [TE Connectivity](#) manufacturer:*

Other Similar products are found below :

[589158040000018](#) [MDF7C-18P-2.54DSA\(55\)](#) [FCN-230C068-11](#) [FCN-268F012-G/BD](#) [FCN-268F036-G/BD](#) [FCN-268M012-G/0D](#) [FCN-268M024-G/1D](#) [FCN-723J004/1](#) [MIS-048-01-F-D-DP-K](#) [832-10-034-10-001000](#) [FX4C-80S-1.27DSA](#) [FCN-214Q030-G/0](#) [FCN-234P048-G/0](#) [FCN-235D050-G/C](#) [210-93-314-41-105000](#) [2-22603-0](#) [MDF7-40DP-2.54DSA\(55\)](#) [AXG720047](#) [5031084030](#) [MIT-114-03-F-D-K](#) [55323-1519](#) [DF33-2P-3.3DSA\(24\)](#) [YFT-20-05-H-03-SB-K](#) [503308-3040](#) [026-6203-PDB](#) [027-6203-PDB](#) [069159702701000](#) [10123981-102LF](#) [101A10019X](#) [55650-0588-C](#) [68684-306](#) [75140-7012](#) [194261-1](#) [FCN-268F024-G0D](#) [10124054-515LF](#) [68685-603](#) [8-1616154-3](#) [MIS-019-01-F-D](#) [541371078](#) [IL-WX-10PB-HF-B-E1000E](#) [FCN-268M024-G/3D](#) [20021832-06016C1LF](#) [KX15-20KLDL-E1000E](#) [MDF7-16DP-2.54DSA\(55\)](#) [AXE810124](#) [FCN-214J100-G/0](#) [FCN-230C068-E/S](#) [AXE812124](#) [AXE816124](#) [AXE720127](#)