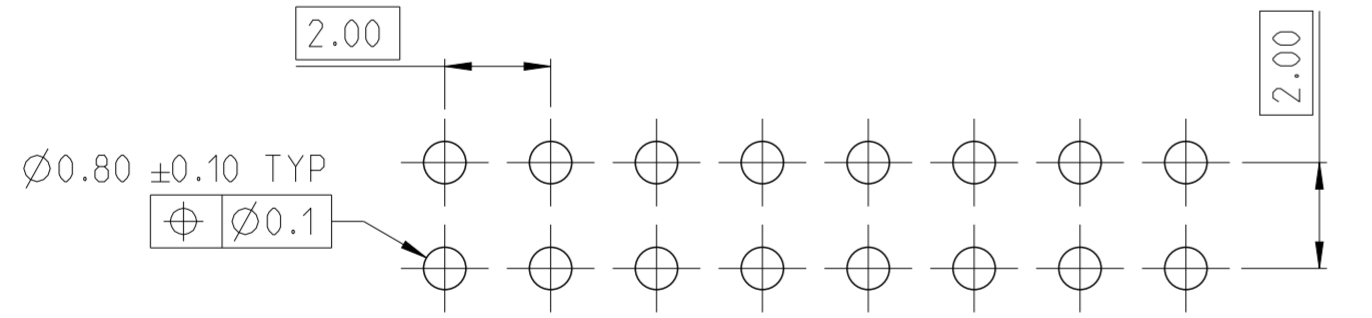
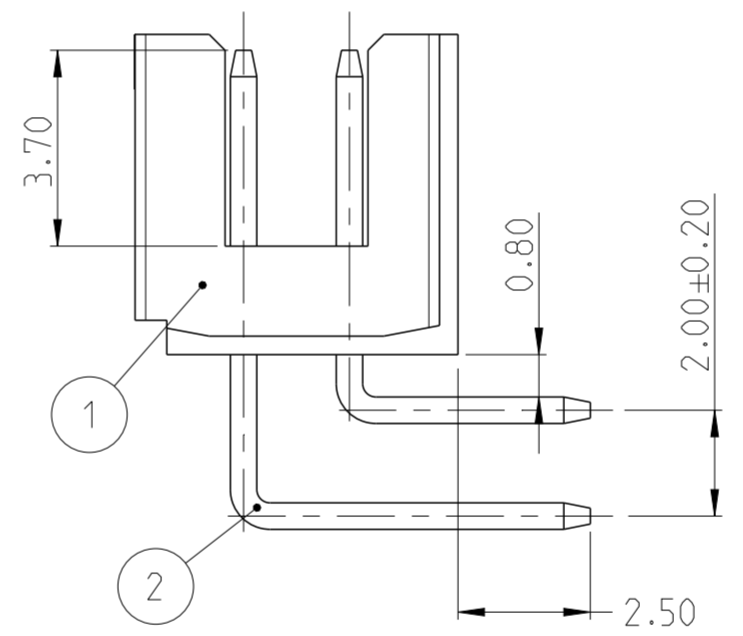
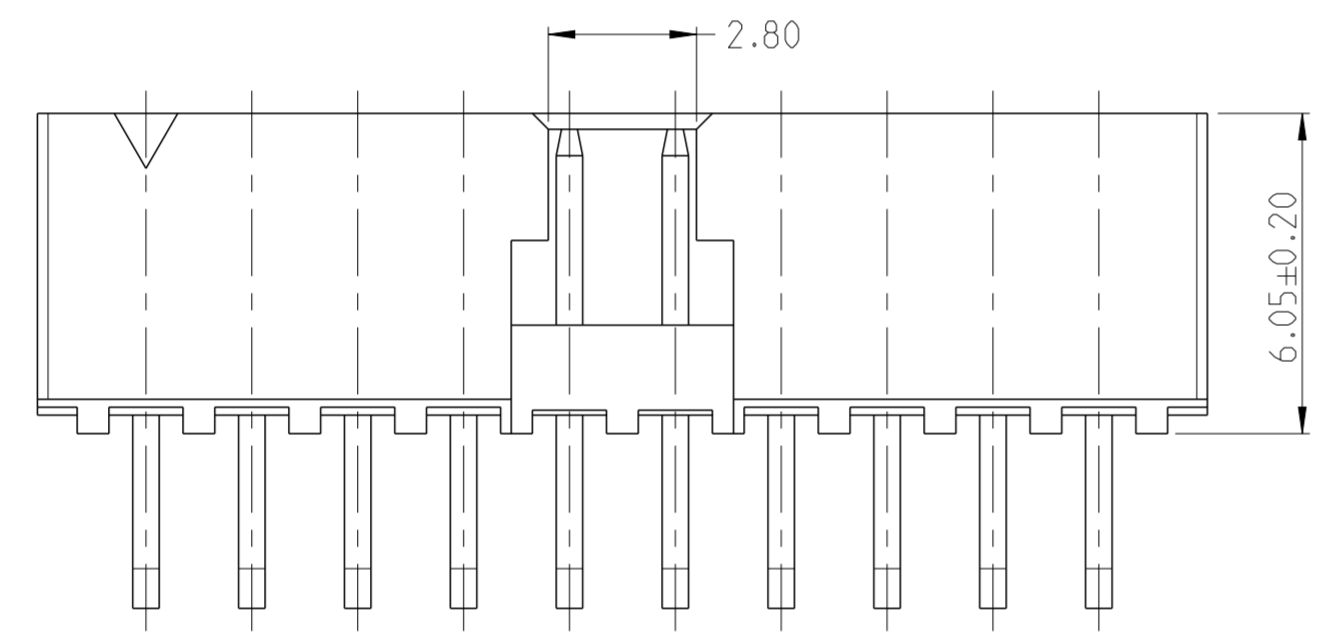
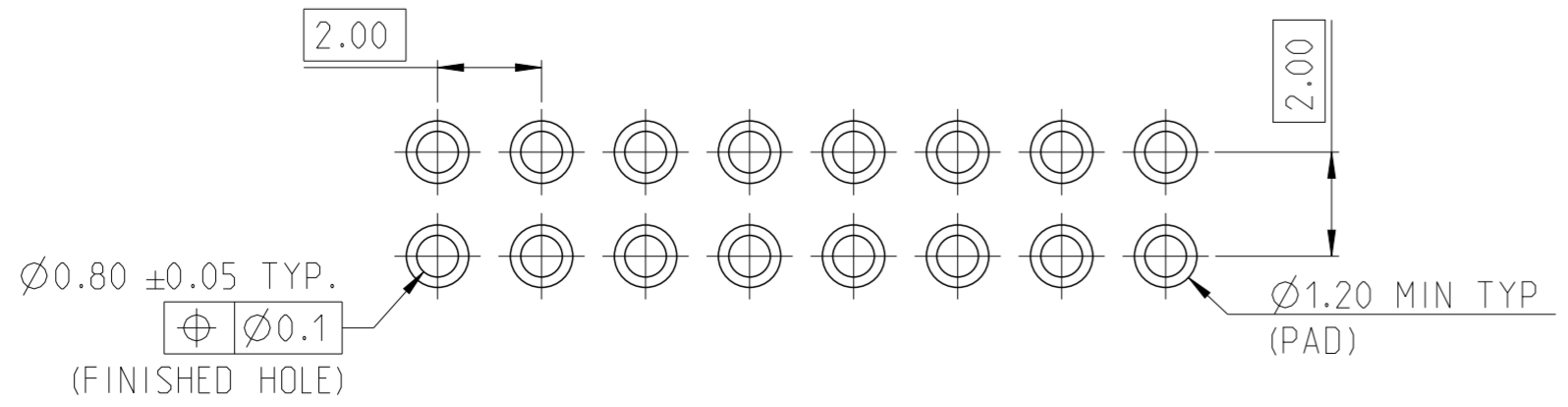


REVISIONS				
P	LTR	DESCRIPTION	DATE	APVD
A		RELEASE TO PRODUCTION	20SEP2019	AY PS
A1		REMOVE POSITION 4	04JUN2020	AY PS

NOTES:  
 1. MATERIAL  
 HOUSING : HIGH TEMPERATURE THERMOPLASTIC, UL94-V0; COLOR- BLACK  
 POST : COPPER ALLOY  
 FINISH :  
 MATING SIDE: MIN. 0.1 µm GOLD OVER NICKEL UNDER PLATING.  
 SOLDER SIDE: MIN. 2.0 µm TIN OVER NICKEL UNDER PLATING.  
 2. PACKAGING: TUBE  
 △ TOLERANCE NOT CUMULATIVE.



RECOMMENDED PCB HOLE PATTERN FOR THROUGH HOLE WAVE



RECOMMENDED PCB HOLE PATTERN FOR THROUGH HOLE REFLOW /PIN-IN-PASTE

2-2842166-0 AS SHOWN

52.10	51.40	50	5-2842166-0
50.10	49.40	48	4-2842166-8
48.10	47.40	46	4-2842166-6
46.10	45.40	44	4-2842166-4
44.10	43.40	42	4-2842166-2
42.10	41.40	40	4-2842166-0
40.10	39.40	38	3-2842166-8
38.10	37.40	36	3-2842166-6
36.10	35.40	34	3-2842166-4
34.10	33.40	32	3-2842166-2
32.10	31.40	30	3-2842166-0
30.10	29.40	28	2-2842166-8
28.10	27.40	26	2-2842166-6
26.10	25.40	24	2-2842166-4
24.10	23.40	22	2-2842166-2
22.10	21.40	20	2-2842166-0
20.10	19.40	18	1-2842166-8
18.10	17.40	16	1-2842166-6
16.10	15.40	14	1-2842166-4
14.10	13.40	12	1-2842166-2
12.10	11.40	10	1-2842166-0
10.10	9.40	8	2842166-8
8.10	7.40	6	2842166-6
DIM "F"	DIM "E"	POS.	TE PN

CONTACT PIN	2
HOUSING	1
DESCRIPTION	ITEM NO.

THIS DRAWING IS A CONTROLLED DOCUMENT.		DWN ANKIT YADAV 14AUG2019
		CHK KARTHIK JK 16AUG2019
		APVD PRASHANTH S. 16AUG2019
DIMENSIONS: mm		PRODUCT SPEC 108-64040
TOLERANCES UNLESS OTHERWISE SPECIFIED:		APPLICATION SPEC 114-32259
0 PLC ± -		WEIGHT -
1 PLC ± -		CUSTOMER DRAWING
2 PLC ± 0.25		SCALE 7:1
3 PLC ± -		SHEET 1 OF 1
4 PLC ± -		REV A1
ANGLES ± 2°		
FINISH SEE NOTES		
MATERIAL SEE NOTES		

<b>STE</b> TE Connectivity			
NAME AMPMODU 2mm SHROUDED HEADER, DUAL ROW, RIGHT ANGLE, 0.1 Au, TUBE			
SIZE A2	CAGE CODE 00779	DRAWING NO. 2842166	RESTRICTED TO -

## X-ON Electronics

Largest Supplier of Electrical and Electronic Components

*Click to view similar products for [Board to Board & Mezzanine Connectors](#) category:*

*Click to view products by [TE Connectivity](#) manufacturer:*

Other Similar products are found below :

[589158040000018](#) [MDF7C-18P-2.54DSA\(55\)](#) [FCN-230C068-11](#) [FCN-268F012-G/BD](#) [FCN-268F036-G/BD](#) [FCN-268M012-G/0D](#) [FCN-268M024-G/1D](#) [FCN-723J004/1](#) [MIS-048-01-F-D-DP-K](#) [832-10-034-10-001000](#) [FX4C-80S-1.27DSA](#) [FCN-214Q030-G/0](#) [FCN-234P048-G/0](#) [FCN-235D050-G/C](#) [210-93-314-41-105000](#) [2-22603-0](#) [MDF7-40DP-2.54DSA\(55\)](#) [AXG720047](#) [5031084030](#) [MIT-114-03-F-D-K](#) [55323-1519](#) [DF33-2P-3.3DSA\(24\)](#) [YFT-20-05-H-03-SB-K](#) [503308-3040](#) [026-6203-PDB](#) [027-6203-PDB](#) [069159702701000](#) [10123981-102LF](#) [101A10019X](#) [55650-0588-C](#) [68682-310LF](#) [68684-306](#) [75140-7012](#) [87471-650](#) [194261-1](#) [FCN-268F024-G0D](#) [10124054-515LF](#) [68685-603](#) [8-1616154-3](#) [MIS-019-01-F-D](#) [FCN-268M024-G/3D](#) [20021832-06016C1LF](#) [KX15-20KLDL-E1000E](#) [MDF7-16DP-2.54DSA\(55\)](#) [AXE810124](#) [FCN-214J100-G/0](#) [FCN-230C068-E/S](#) [AXE812124](#) [AXE816124](#) [AXE720127](#)