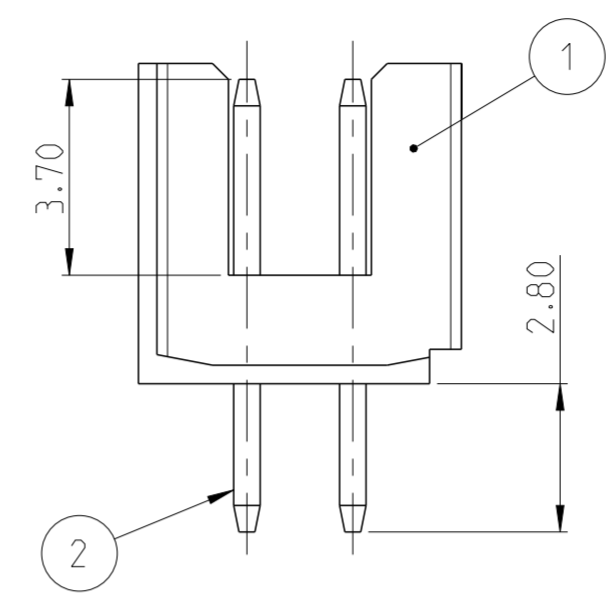
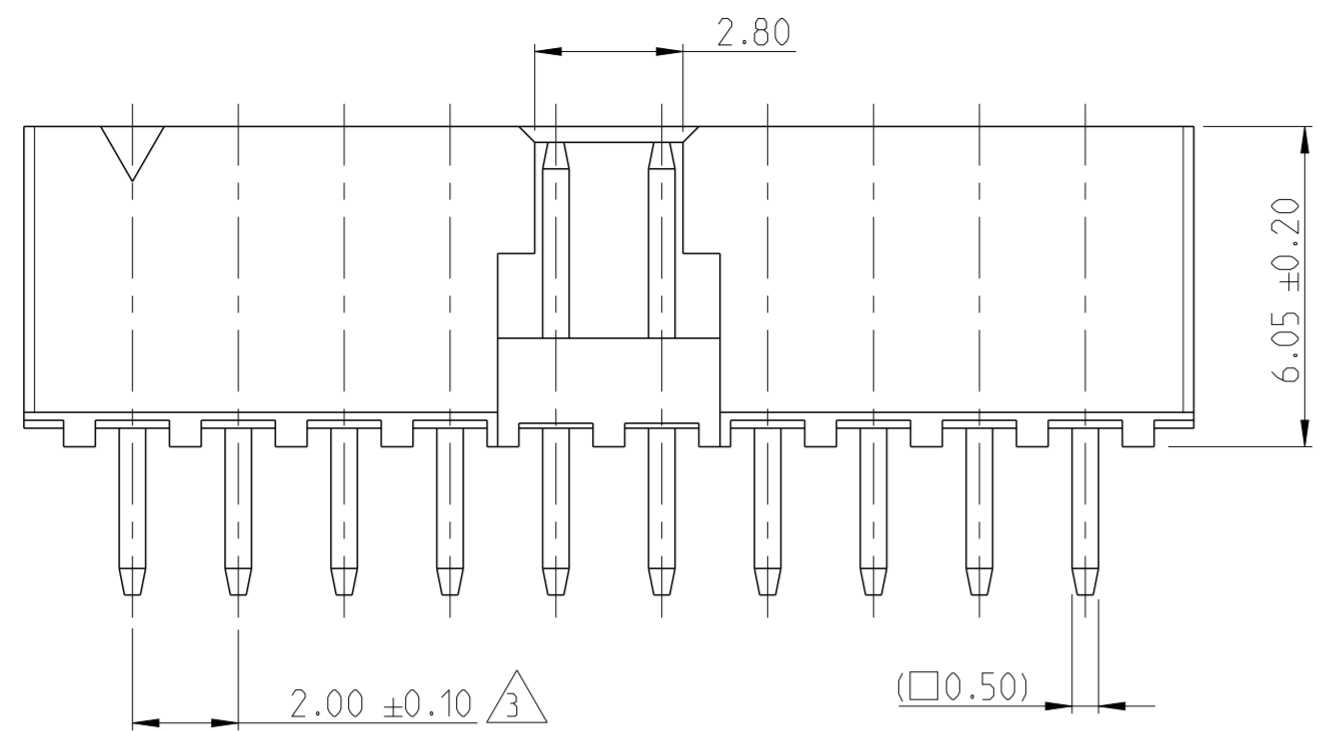
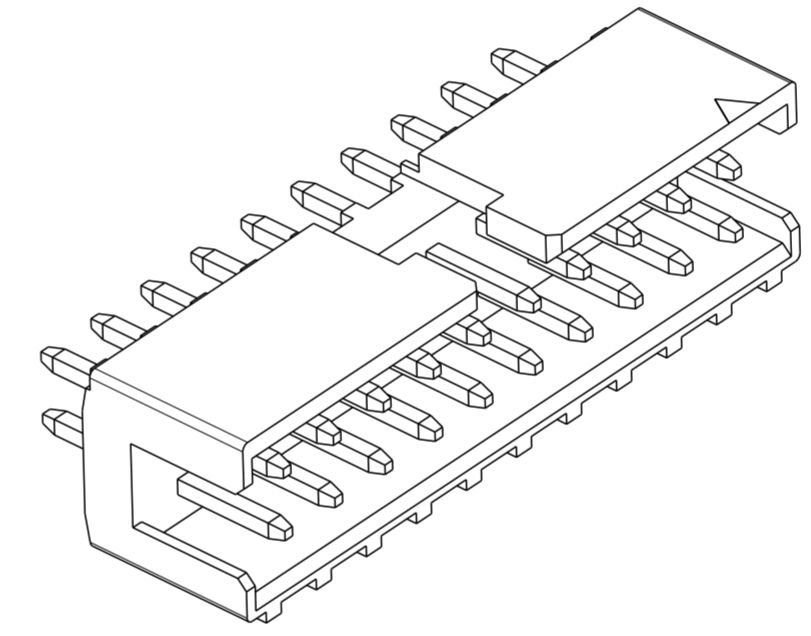
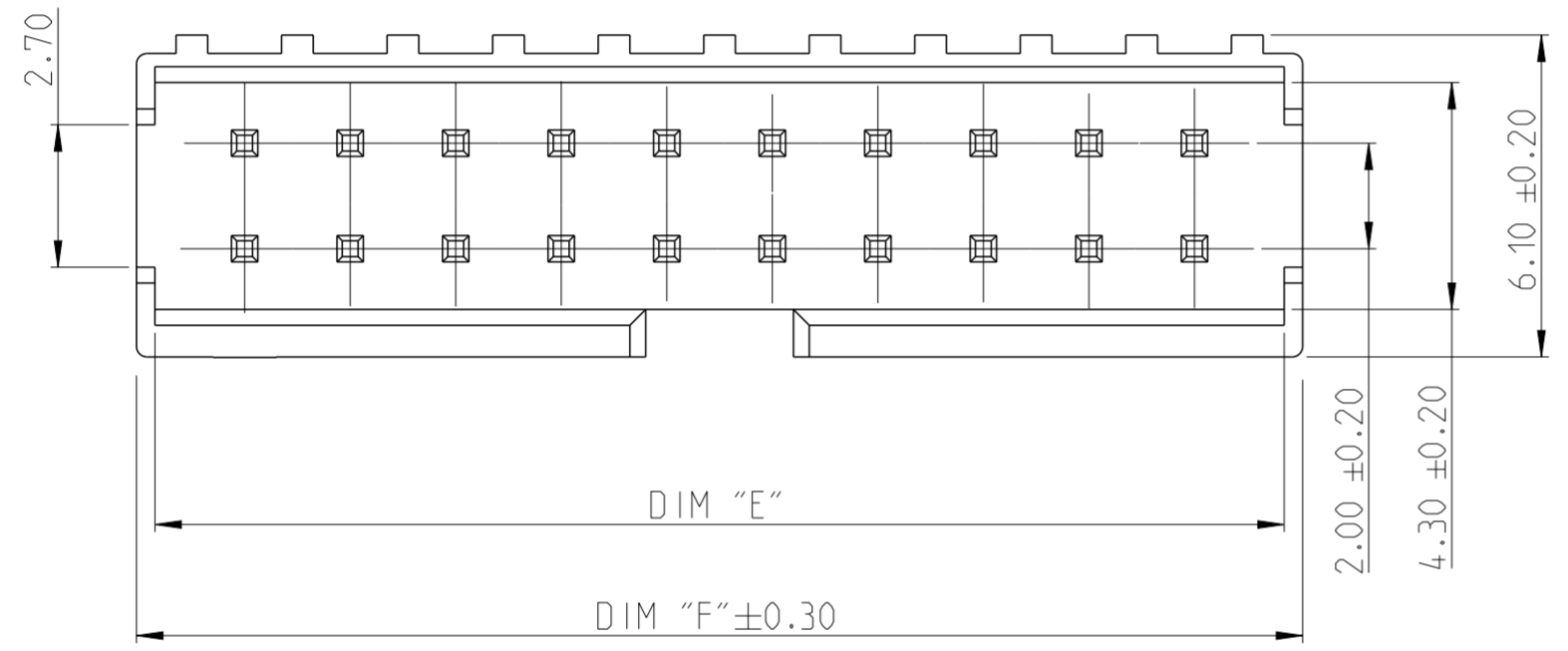


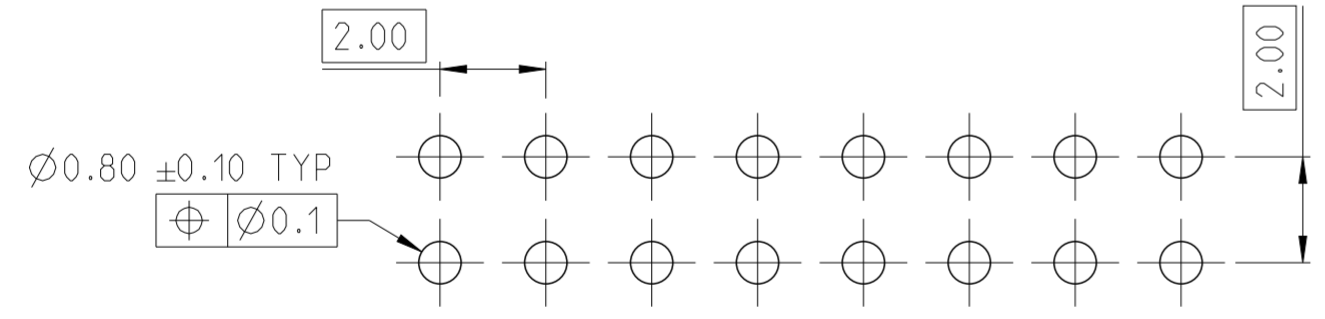
| P | LTR | DESCRIPTION | DATE | DWN | APVD |
|----|-----|-----------------------|-----------|-----|------|
| A | | RELEASE TO PRODUCTION | 09DEC2019 | AY | PS |
| A1 | | REMOVE POSITION 4 | 04JUN2020 | AY | PS |



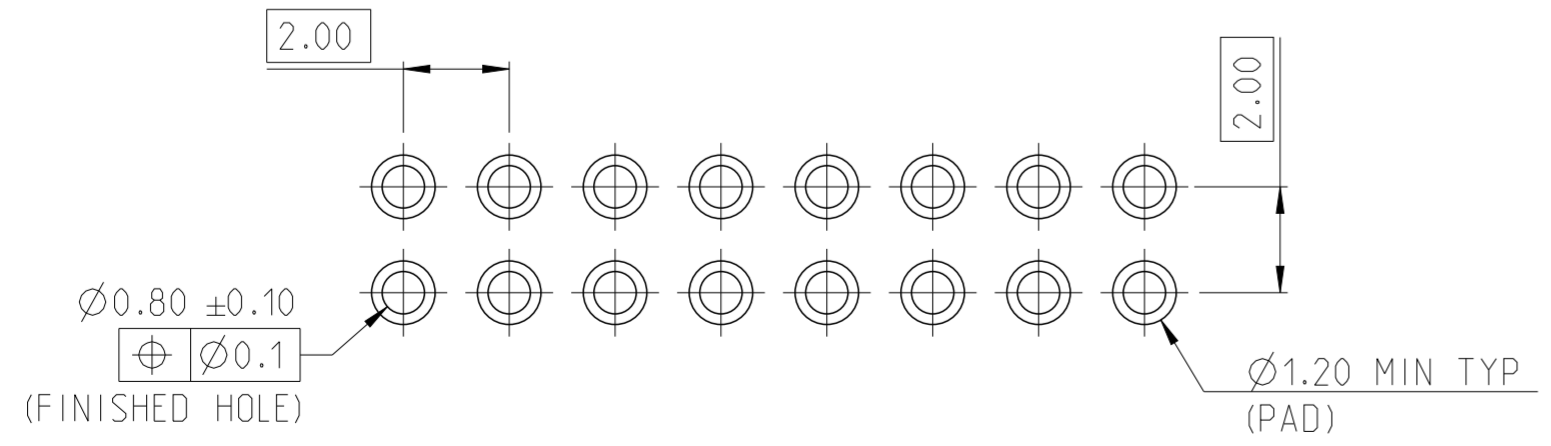
- NOTES:
- MATERIAL
 HOUSING : HIGH TEMPERATURE THERMOPLASTIC, UL94-V0; COLOR- BLACK
 POST : COPPER ALLOY
 FINISH :
 MATING SIDE: MIN. 0.1 μm GOLD OVER NICKEL UNDER PLATING.
 SOLDER SIDE: MIN. 2.0 μm TIN OVER NICKEL UNDER PLATING.
 - PACKAGING: TUBE
- △ TOLERANCE NOT CUMULATIVE.



| | | | |
|---------|---------|------|-------------|
| 52.10 | 51.40 | 50 | 5-2842282-0 |
| 50.10 | 49.40 | 48 | 4-2842282-8 |
| 48.10 | 47.40 | 46 | 4-2842282-6 |
| 46.10 | 45.40 | 44 | 4-2842282-4 |
| 44.10 | 43.40 | 42 | 4-2842282-2 |
| 42.10 | 41.40 | 40 | 4-2842282-0 |
| 40.10 | 39.40 | 38 | 3-2842282-8 |
| 38.10 | 37.40 | 36 | 3-2842282-6 |
| 36.10 | 35.40 | 34 | 3-2842282-4 |
| 34.10 | 33.40 | 32 | 3-2842282-2 |
| 32.10 | 31.40 | 30 | 3-2842282-0 |
| 30.10 | 29.40 | 28 | 2-2842282-8 |
| 28.10 | 27.40 | 26 | 2-2842282-6 |
| 26.10 | 25.40 | 24 | 2-2842282-4 |
| 24.10 | 23.40 | 22 | 2-2842282-2 |
| 22.10 | 21.40 | 20 | 2-2842282-0 |
| 20.10 | 19.40 | 18 | 1-2842282-8 |
| 18.10 | 17.40 | 16 | 1-2842282-6 |
| 16.10 | 15.40 | 14 | 1-2842282-4 |
| 14.10 | 13.40 | 12 | 1-2842282-2 |
| 12.10 | 11.40 | 10 | 1-2842282-0 |
| 10.10 | 9.40 | 8 | 2842282-8 |
| 8.10 | 7.40 | 6 | 2842282-6 |
| DIM "F" | DIM "E" | POS. | TE PN. |



RECOMMENDED PCB HOLE PATTERN FOR THROUGH HOLE WAVE



RECOMMENDED PCB HOLE PATTERN FOR THROUGH HOLE REFLOW /PIN-IN-PASTE

2-2842282-0 AS SHOWN

| | |
|-------------|----------|
| CONTACT PIN | 2 |
| HOUSING | 1 |
| DESCRIPTION | ITEM NO. |

| | | |
|--|------------------|--------------------------------|
| THIS DRAWING IS A CONTROLLED DOCUMENT. | | DWN 11NOV2019 ANKIT YADAV |
| DIMENSIONS: mm | | CHK 25NOV2019 KARTHIK JK |
| TOLERANCES UNLESS OTHERWISE SPECIFIED: | | APVD 27NOV2019 PRASHANTH S. |
| 0 PLC ± | 1 PLC ± | PRODUCT SPEC |
| 2 PLC ±0.25 | 3 PLC ± | APPLICATION SPEC |
| 4 PLC ± | ANGLES ±2° | 108-64040 |
| MATERIAL SEE NOTES | FINISH SEE NOTES | 114-32259 |
| | | WEIGHT - |
| CUSTOMER DRAWING | | SCALE 5:1 |

| | | | |
|-----------------|-----------|--|---------------|
| TE Connectivity | | NAME | |
| | | AMPMODU 2mm SHROUDED HEADER DUAL ROW, VERTICAL TH. 0.1 Au, TUBE. | |
| SIZE | CAGE CODE | DRAWING NO | RESTRICTED TO |
| A2 | 00779 | C-2842282 | - |
| SHEET 1 OF 1 | | REV A1 | |

X-ON Electronics

Largest Supplier of Electrical and Electronic Components

Click to view similar products for [Board to Board & Mezzanine Connectors](#) category:

Click to view products by [TE Connectivity](#) manufacturer:

Other Similar products are found below :

[589158040000018](#) [MDF7C-18P-2.54DSA\(55\)](#) [FCN-230C068-11](#) [FCN-268F012-G/BD](#) [FCN-268F036-G/BD](#) [FCN-268M012-G/0D](#) [FCN-268M024-G/1D](#) [FCN-723J004/1](#) [MIS-048-01-F-D-DP-K](#) [832-10-034-10-001000](#) [FX4C-80S-1.27DSA](#) [FCN-214Q030-G/0](#) [FCN-234P048-G/0](#) [FCN-235D050-G/C](#) [210-93-314-41-105000](#) [2-22603-0](#) [MDF7-40DP-2.54DSA\(55\)](#) [AXG720047](#) [5031084030](#) [MIT-114-03-F-D-K](#) [55323-1519](#) [DF33-2P-3.3DSA\(24\)](#) [YFT-20-05-H-03-SB-K](#) [503308-3040](#) [026-6203-PDB](#) [027-6203-PDB](#) [069159702701000](#) [10123981-102LF](#) [101A10019X](#) [55650-0588-C](#) [68684-306](#) [75140-7012](#) [589159005003045](#) [194261-1](#) [FCN-268F024-G0D](#) [10124054-515LF](#) [68685-603](#) [8-1616154-3](#) [MIS-019-01-F-D](#) [589159005002045](#) [541371078](#) [IL-WX-10PB-HF-B-E1000E](#) [FCN-268M024-G/3D](#) [20021832-06016C1LF](#) [KX15-20KLDL-E1000E](#) [MDF7-16DP-2.54DSA\(55\)](#) [AXE810124](#) [FCN-214J100-G/0](#) [FCN-230C068-E/S](#) [AXE812124](#)