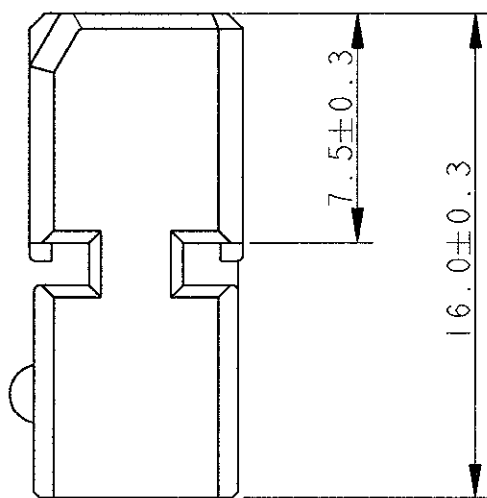
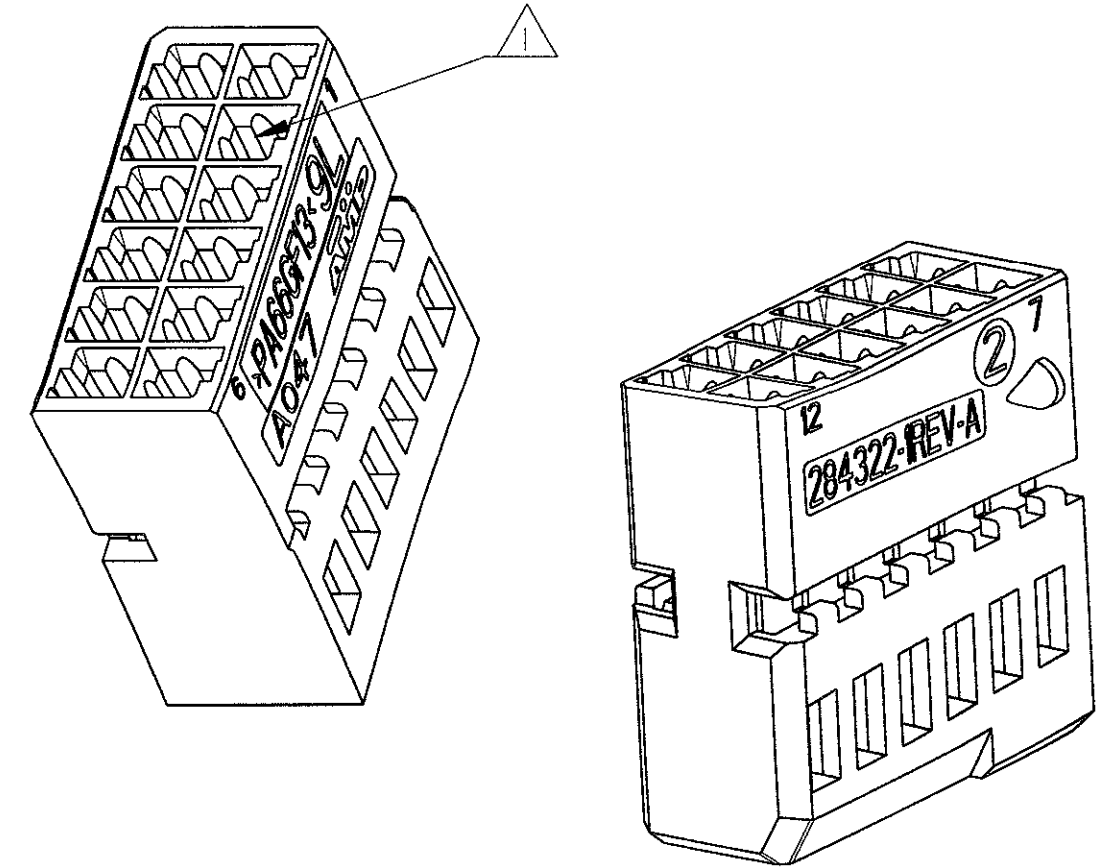
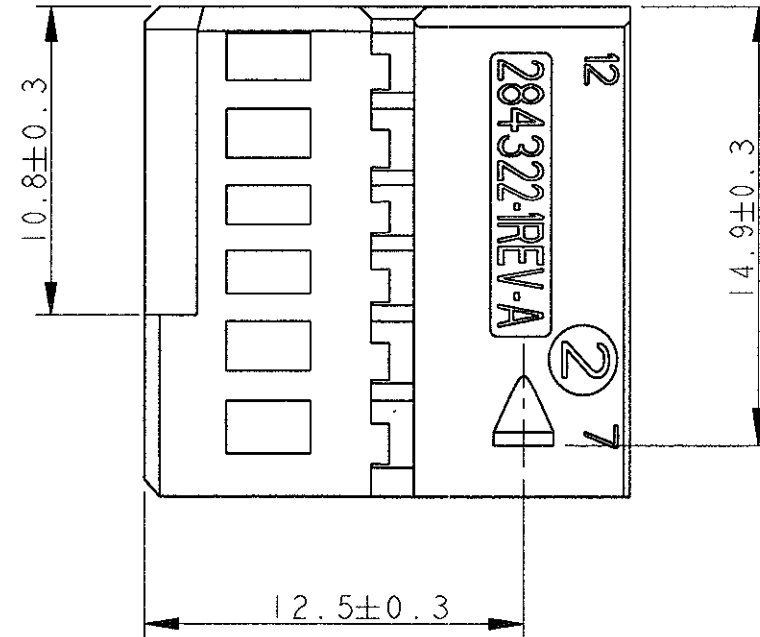
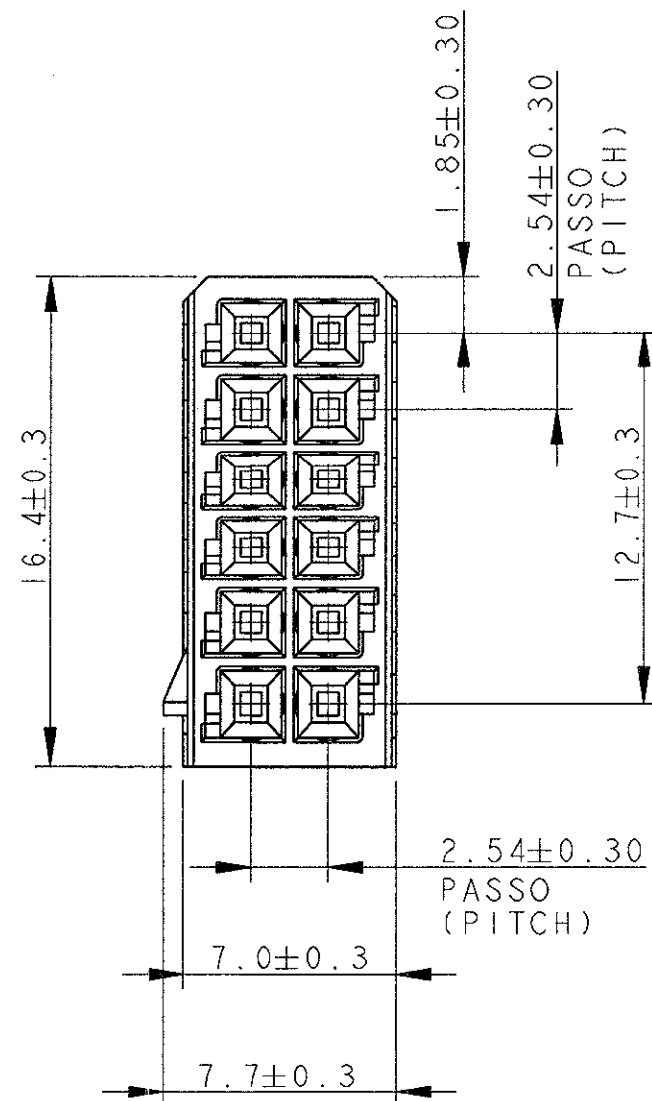


P	LTR	DESCRIPTION	DATE	DWN	APVD
0		PRELIMINARY ISSUE	15DEC98	G.S.	O.C.
A		FIRST ISSUE WITH ET00-0404-99	13JAN00	M.P.	O.C.
A1		RELEASED FOR PRODUCTION ET00-0121-00	15MAY00	M.S.	O.C.
A2		CORRECTED MISTAKE ET00-0006-01	080JAN01	M.S.	O.C.



1) CAVITA' ADATTA PER CONTATTI MICRO QUADLOK SYSTEM P/N 928999-1 E P/N 963715-1. (CAVITIES SUITABLE FOR MICRO QUADLOK SYSTEM CONTACT P/N 928999-1 AND P/N 963715-1).

2) MATERIALE: PA 6.6-G.F. CARICATO VETRO, COLORE NERO (MATERIAL: PA 6.6-G.F. FILLED, COLOUR BLACK).

3) BLOCCETTO ADATTO PER CORAZZA P/N 284321-1 PLUG HOUSING SUITABLE FOR COVER P/N 284321-1

284322-1 COME MOSTRATO (AS SHOWN)

THIS DRAWING IS A CONTROLLED DOCUMENT FOR AMP INCORPORATED. IT IS SUBJECT TO CHANGE AND THE CONTROLLING ENGINEERING ORGANIZATION SHOULD BE CONTACTED FOR THE LATEST REVISION.		DWH M. PALMA 13JAN00	<b>AMP</b> AMP Italia S.p.A. Collegno, C.so F.lli Cervi 15 (TO)
DIMENSIONS: mm		CHK O. CANUTO 13JAN00	
TOLERANCES UNLESS OTHERWISE SPECIFIED:		APVD A. GENTA 13JAN00	NAME HOUSING 12 POS 2.54 mm PITCH FOR STEERING SWITCH
0 PLC ±0.3 1 PLC ±0.3 2 PLC ± 3 PLC ± 4 PLC ± ANGLES ±2°		PRODUCT SPEC	SIZE A3
MATERIAL NOTE 2	FINISH NOTE 2	APPLICATION SPEC 411-15565	CAGE CODE 00779
		WEIGHT 2.0 g	DRAWING NO C-284322
		CUSTOMER DRAWING	SCALE 4:1 SHEET 1 OF 1 REV A2

## X-ON Electronics

Largest Supplier of Electrical and Electronic Components

*Click to view similar products for [Automotive Connectors](#) category:*

*Click to view products by [TE Connectivity](#) manufacturer:*

Other Similar products are found below :

[003-018-000](#) [60993906-B](#) [72.330.1035.1](#) [776880-1](#) [827153-1](#) [9-1326729-8](#) [9-221607-5](#) [925474-1](#) [928905-1](#) [964562-4](#) [968782-1](#) [98891-1012](#) [12004468](#) [12004475-L](#) [12004483](#) [12052466](#) [12066163](#) [12015909](#) [12077753](#) [1-21030-1](#) [12047957](#) [12047958](#) [12084688](#) [12185550](#) [12336-12](#) [1-326211-1](#) [13681974](#) [13688972](#) [13755420](#) [13779834](#) [13783086](#) [13843152](#) [13522378](#) [13581967](#) [13669624](#) [13675513](#) [13753471](#) [13946876](#) [13953457](#) [13955963](#) [13964573](#) [13971791](#) [13790534-L](#) [13797473](#) [13805590](#) [13888202](#) [1428188-1](#) [1437287-3](#) [1428188-2](#) [DS07-19S-5020](#)