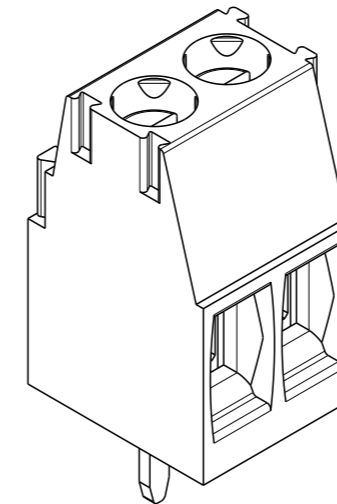
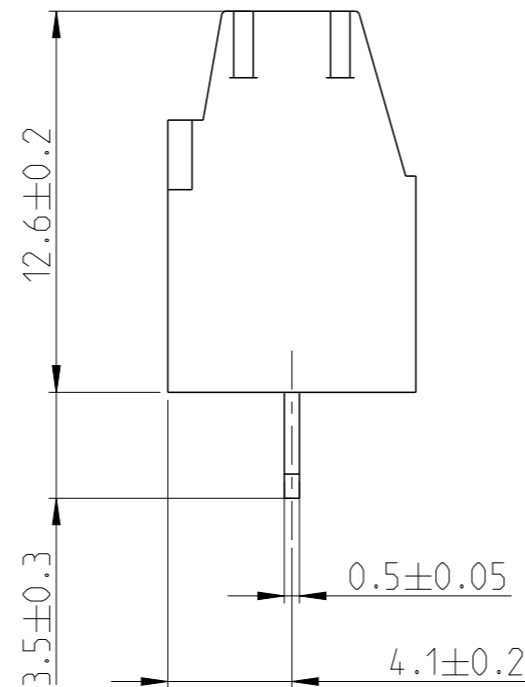
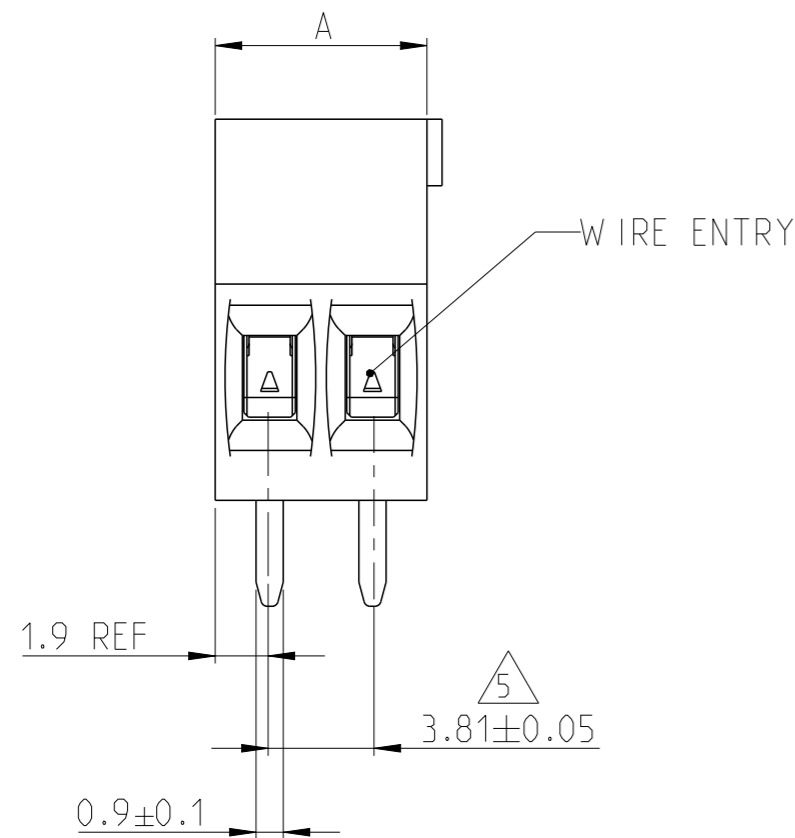


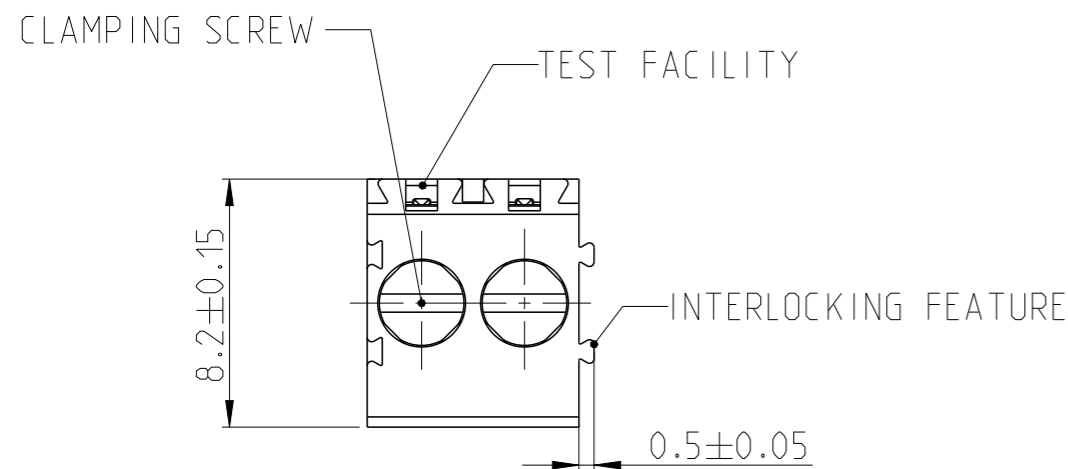
THIS DRAWING IS UNPUBLISHED. RELEASED FOR PUBLICATION 20
 © COPYRIGHT 20 BY - ALL RIGHTS RESERVED.

REVISIONS

| P | LTR | DESCRIPTION | DATE | DWN | APVD |
|---|-----|-----------------------------------|-----------|-----|------|
| B | | REVISED PER OG3B-0119-01 | 01FEB2002 | EZ | DB |
| C | | PACKAGING CHANGE FROM BOX TO TRAY | 08SEP2017 | FP | NG |



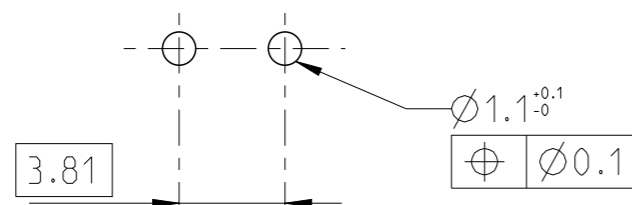
P/N 284392-2 AS SHOWN



- 1 MATERIALS AND FINISH
 HOUSING : PA 6.6, UL 94-V0, COLOR GREEN.
 CLAMP : BRASS, NICKEL PLATED
 TERMINAL : BRASS, TIN PLATED
 CLAMPING SCREW : M3, BRASS, NICKEL PLATED
- 2. SUITABLE FOR 1.6-2.4 mm. PC BOARD THICKNESS.
- 3. END-TO-END STACKABLE W/INTERLOCK WITHOUT LOSS OF CENTERLINE SPACING
- 4. WIRE SIZE RANGE
 14 - 30 AWG
- 5 NOT CUMULATIVE TOLERANCE

| DIM "A" | NO. OF POS | PART NUMBER |
|---------|------------|-------------|
| 95.25 | 25 | 2-284392-5 |
| 91.44 | 24 | 2-284392-4 |
| 87.63 | 23 | 2-284392-3 |
| 83.82 | 22 | 2-284392-2 |
| 80.01 | 21 | 2-284392-1 |
| 76.20 | 20 | 2-284392-0 |
| 72.39 | 19 | 1-284392-9 |
| 68.58 | 18 | 1-284392-8 |
| 64.77 | 17 | 1-284392-7 |
| 60.96 | 16 | 1-284392-6 |
| 57.15 | 15 | 1-284392-5 |
| 53.34 | 14 | 1-284392-4 |
| 49.53 | 13 | 1-284392-3 |
| 45.72 | 12 | 1-284392-2 |
| 41.91 | 11 | 1-284392-1 |
| 38.10 | 10 | 1-284392-0 |
| 34.29 | 9 | 284392-9 |
| 30.48 | 8 | 284392-8 |
| 26.67 | 7 | 284392-7 |
| 22.86 | 6 | 284392-6 |
| 19.05 | 5 | 284392-5 |
| 15.24 | 4 | 284392-4 |
| 11.43 | 3 | 284392-3 |
| 7.62 | 2 | 284392-2 |

RECOMMENDED PC BOARD LAYOUT



| | | | | | | | | |
|---|--|-----------------------------------|--|------------------|--------------------|------------------------|-----------------|----------|
| THIS DRAWING IS A CONTROLLED DOCUMENT. | | DWN E. ZANOLINI 01FEB2002 | TE Connectivity NAME TERMINAL BLOCK, PCB MOUNT, STRAIGHT SIDE ENTRY WIRE, STACKING W/ INTERLOCK, 3.81mm PITCH | | | | | |
| DIMENSIONS: mm | | CHK E. ZANOLINI 01FEB2002 | | | | | | |
| TOLERANCES UNLESS OTHERWISE SPECIFIED: | | APVD D. BIEVENOUR 01FEB2002 | | | | | | |
| 0 PLC ± 1 PLC ±0.3 2 PLC ±0.25 3 PLC ± 4 PLC ± ANGLES ±° | | PRODUCT SPEC 108-20166 | | | | | | |
| MATERIAL | | FINISH | APPLICATION SPEC 114-20079 | SIZE A3 | CAGE CODE 00779 | DRAWING NO C-284392 | RESTRICTED TO | |
| - 1 | | - 1 | WEIGHT - | CUSTOMER DRAWING | | SCALE 4:1 | SHEET 1 OF 1 | REV C |

X-ON Electronics

Largest Supplier of Electrical and Electronic Components

Click to view similar products for [Fixed Terminal Blocks](#) category:

Click to view products by [TE Connectivity](#) manufacturer:

Other Similar products are found below :

[MBE-1512](#) [MBE-154](#) [MBE-156](#) [MBES-153](#) [MBES-156](#) [MH-2512](#) [MHE-132](#) [MHE-163](#) [MI-254 \(35\)](#) [MI-272](#) [880507](#) [MPT-275](#)
[15602-04-08-21](#) [BA311TU](#) [BA411SU](#) [MV-152](#) [MV-252-D](#) [MV-253/NCNOC](#) [MV-254-D](#) [MV-255](#) [MV-462](#) [MV-493](#) [MVE-252](#) [MVE-253](#)
[MVE-273](#) [MVEB-153](#) [1700096](#) [1705142](#) [1712417](#) [1713020](#) [1713088](#) [1745195](#) [1760594](#) [1776118-2](#) [1790852](#) [1-796689-8](#) [1-796692-6](#)
[1800001](#) [1800114](#) [1995279](#) [20020314-C121B01LF](#) [20020316-G041B01LF](#) [CB2-12](#) [KP03215000J0G](#) [KP04215000J0G](#) [S451](#) [282802-2](#)
[29.007](#) [29.116](#) [30.103](#)