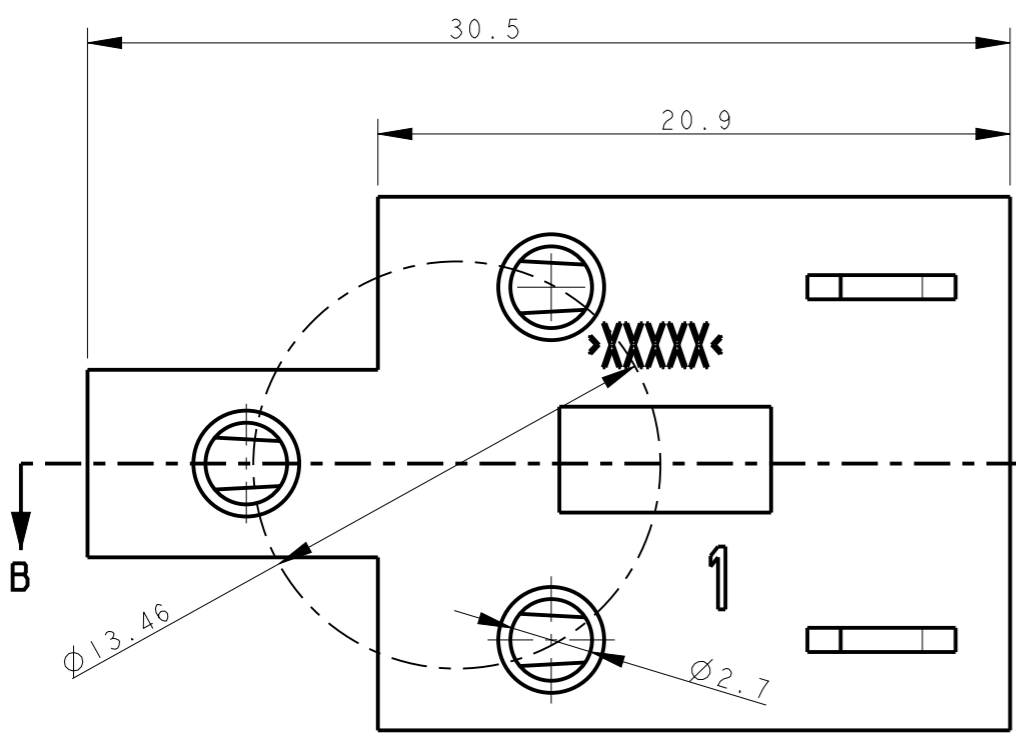
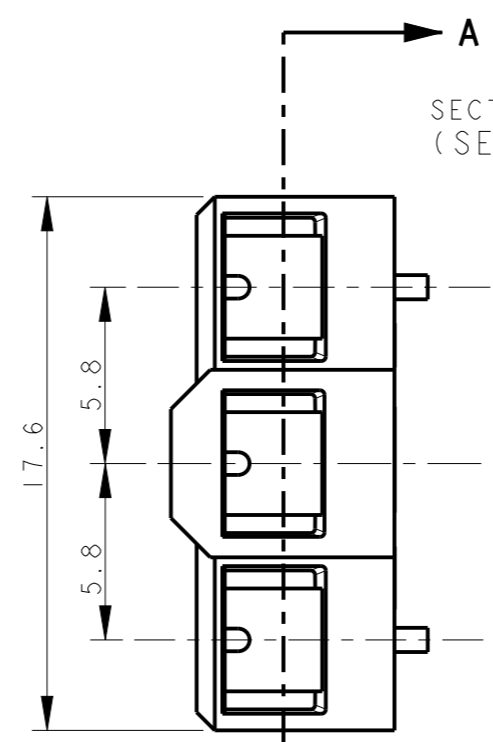


THIS DRAWING IS UNPUBLISHED. RELEASED FOR PUBLICATION
 © COPYRIGHT 19 ALL RIGHTS RESERVED.

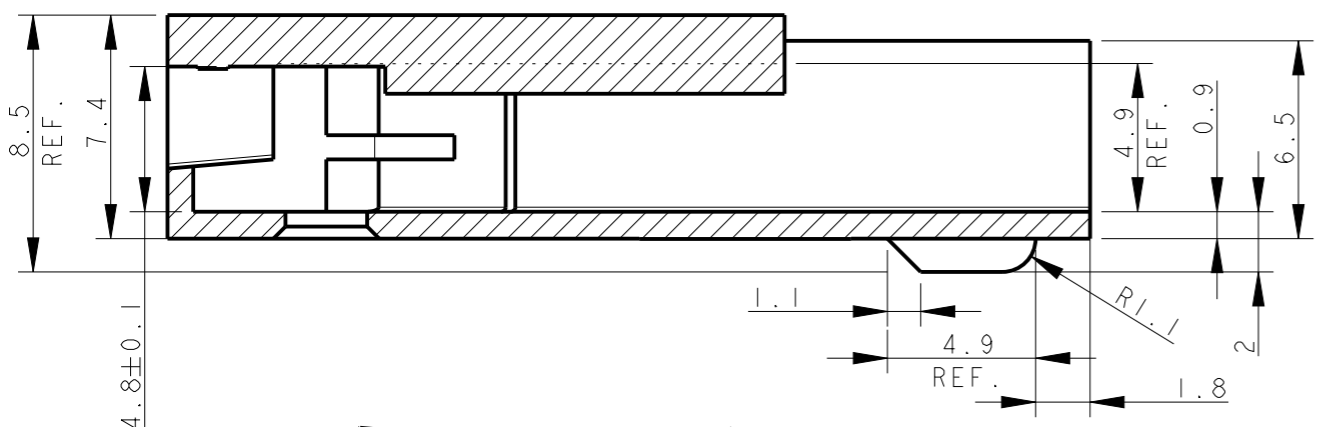
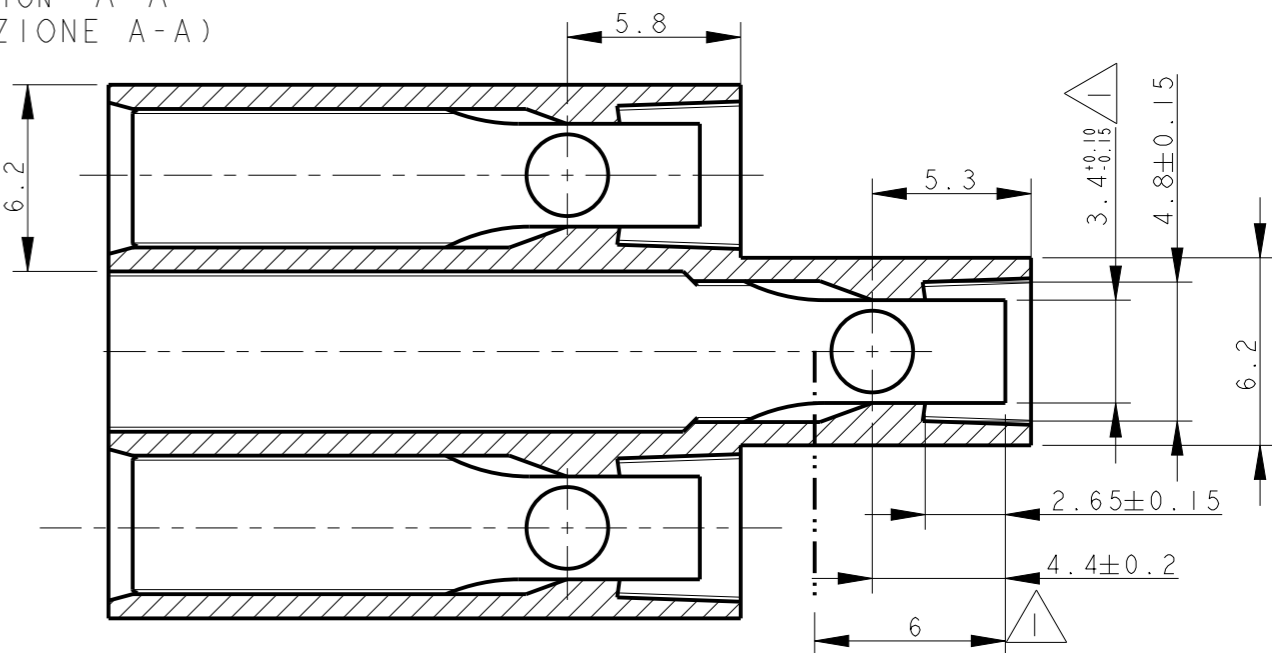
LOC	DIST	REVISIONS			
P	LTR	DESCRIPTION	DATE	DWN	APVD
		C2 NEW PN 9-284406-1 ADDED	29MAY2011	DMK	RRP
		C3 REVISED AS PER ECR-13-019554	24DEC2013	MKD	RRP
		C4 REVISED AS PER ECR-14-008454	06JUN2014	MKD	RRP



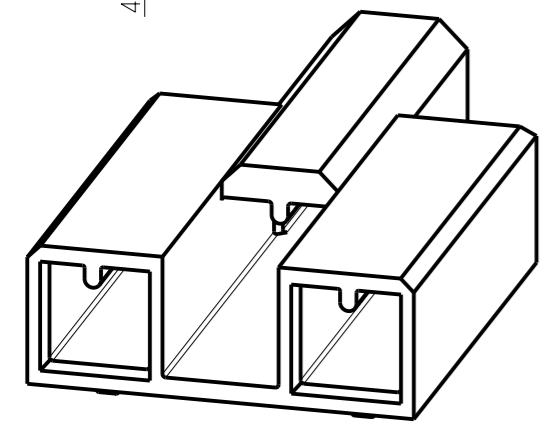
SECTION B-B
(SEZIONE B-B)



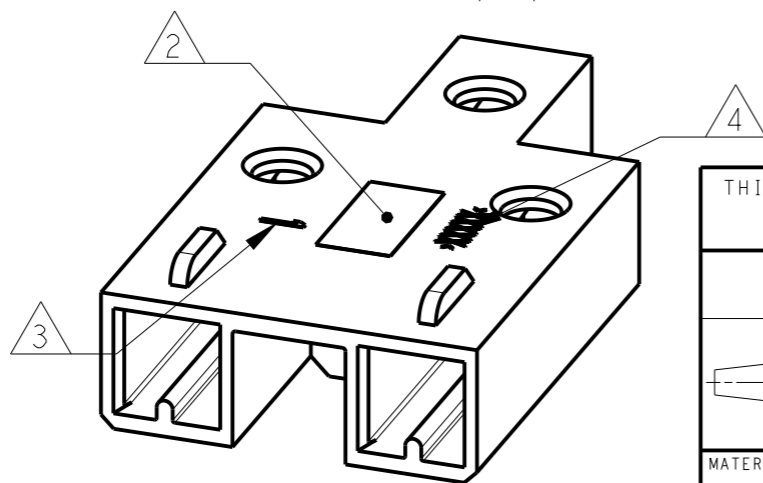
SECTION A-A
(SEZIONE A-A)



- 1 3.4 DIM. MUST BE GUARANTEE FOR 6mm AS SHOWN,
- 2 LOCATION FOR TE LOGO
- 3 MOULD CAVITY ID. CODE
- 4 MATERIAL ID. CODE
- 5) HOUSING AS SHOWN IS SUITABLE FOR CONTACT P/N 284633-1
- 6 MATERIAL PA6 15%GF, GWT(Glow Wire Test) 750° C WITHOUT FLAME ACCORDING TO IEC-60695-2-11.
- 7 PRELIMINARY PART- NOT YET RELEASED FOR PRODUCTION



SCALE 3:1
(SCALA 3:1)



SCALE 3:1
(SCALA 3:1)

NATURAL	PBT GLASSFIBRE FILLED	284406-3
NATURAL	PBT GLASSFIBRE FILLED	284406-2 7
NATURAL	PA6 GF15% 6	9-284406-1 7
NATURAL	PBT 30% CARICATO VETRO (PBT GLASSFIBRE FILLED)	284406-1
COLOUR (COLORE)	MATERIAL (MATERIALE)	PART NO

THIS DRAWING IS A CONTROLLED DOCUMENT.		DWN	C. CORDOLA	16SEPT.99
DIMENSIONS: mm		CHK	C. CORDOLA	16SEPT.99
TOLERANCES UNLESS OTHERWISE SPECIFIED:		APVD	G. TURCO	16SEPT.99
0 PLC	± 0.5	PRODUCT SPEC	108-20033	
1 PLC	± 0.3	APPLICATION SPEC		
2 PLC	± 0.15	WEIGHT		
3 PLC	± -	CUSTOMER DRAWING		
4 PLC	± -			
ANGLES	± 2'			
MATERIAL	See table (vedi tabella)			
FINISH	-			

STE TE Connectivity			
NAME CLUSTER BLOCK REVERSE HOUSING .090 DIA			
SIZE	CAGE CODE	DRAWING NO	RESTRICTED TO
A3		C-284406	
SCALE 4:1		SHEET 1 OF 1	REV C4

X-ON Electronics

Largest Supplier of Electrical and Electronic Components

Click to view similar products for [Terminals](#) category:

Click to view products by [TE Connectivity](#) manufacturer:

Other Similar products are found below :

[00-054007-01074-6](#) [00-054007-70206-1](#) [00-054007-70210-8](#) [00-054007-70217-7](#) [00-054007-70226-9](#) [00-054007-70228-3](#) [00-054007-70248-1](#) [00-054007-70256-6](#) [00-054007-70301-3](#) [00-054007-70316-7](#) [0-0320562-0](#) [00-054007-49560-4](#) [00-054007-70209-2](#) [00-054007-70225-2](#) [00-054007-70227-6](#) [00-054007-70231-3](#) [00-054007-70241-2](#) [00-054007-70242-9](#) [00-054007-70244-3](#) [00-054007-70246-7](#) [00-054007-70263-4](#) [00-054007-70288-7](#) [00-054007-70290-0](#) [00-054007-70300-6](#) [00-054007-70304-4](#) [01-2065-1-0216](#) [01-2900-1-04412](#) [00581P0075](#) [600TS-10](#) [60205-1](#) [604200-1](#) [605601-1](#) [60598-1-CUT-TAPE](#) [61314-6-C](#) [61810-3](#) [61-S](#) [61-SN](#) [626-0194](#) [62-NBM-A](#) [62-SN](#) [62-SP](#) [63-S](#) [640179-1](#) [M55155/059I03](#) [M55155/079C01](#) [M55155/099H02](#) [M55155/109H01](#) [M55155/109H02](#) [M55155/12XH05](#) [M55155/16XH02](#)