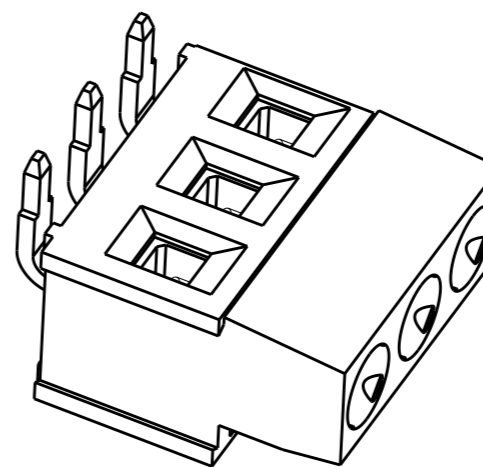
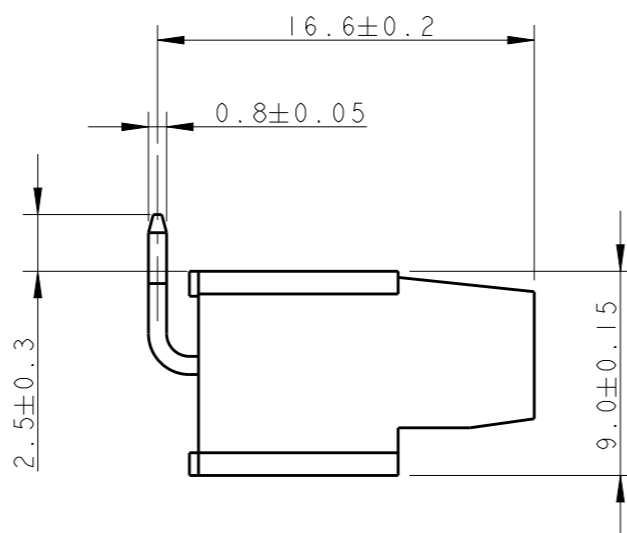
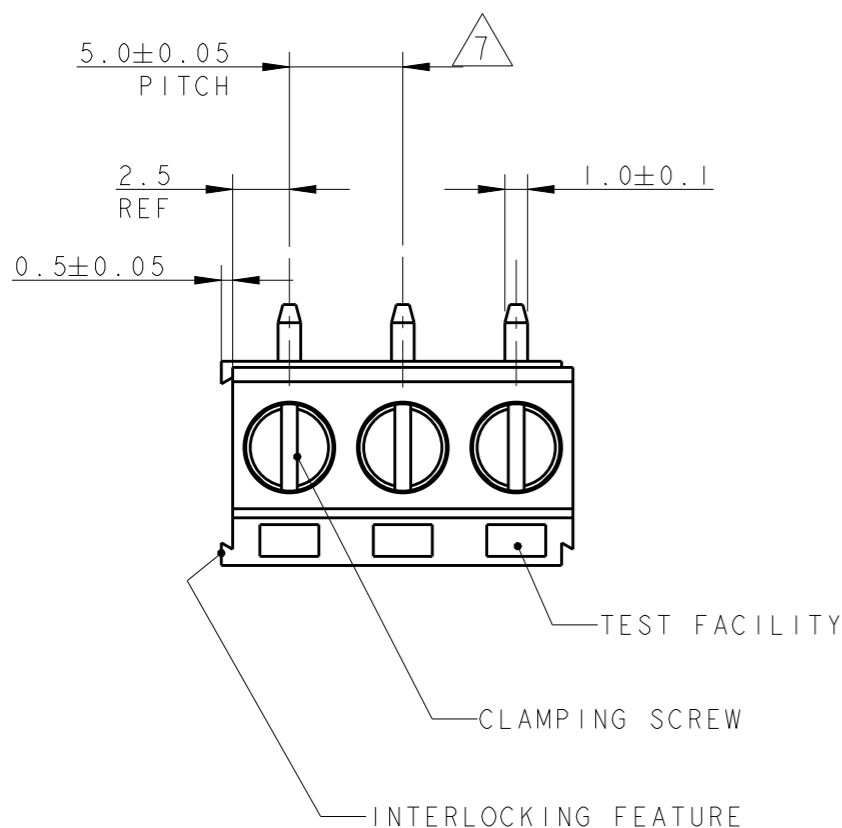


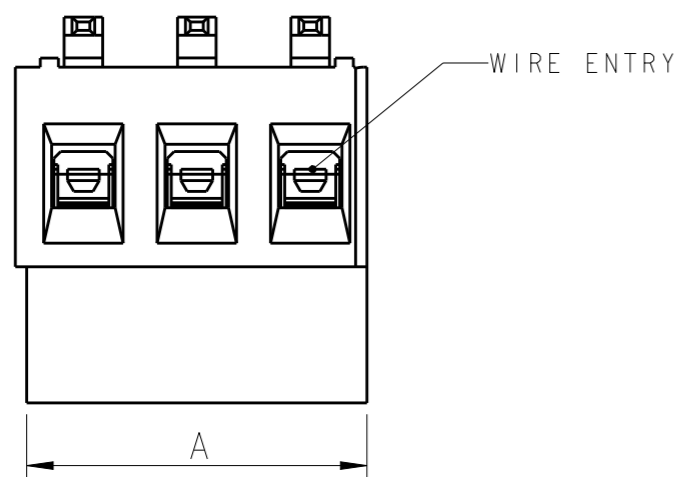
THIS DRAWING IS UNPUBLISHED. RELEASED FOR PUBLICATION 20
 © COPYRIGHT 20 BY - ALL RIGHTS RESERVED.

REVISIONS					
P	LTR	DESCRIPTION	DATE	DWN	APVD
	D2	PN 284410-3 STATUS CHANGED TO ACTIVE	19FEB2018	RK	PS

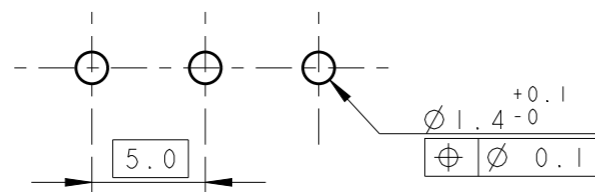


P/N 284410-3 AS SHOWN

125.0	25	2-284410-5
120.0	24	2-284410-4
115.0	23	2-284410-3
110.0	22	2-284410-2
105.0	21	2-284410-1
100.0	20	2-284410-0
95.0	19	1-284410-9
90.0	18	1-284410-8
85.0	17	1-284410-7
80.0	16	1-284410-6
75.0	15	1-284410-5
70.0	14	1-284410-4
65.0	13	1-284410-3
60.0	12	1-284410-2
55.0	11	1-284410-1
50.0	10	1-284410-0
45.0	9	284410-9
40.0	8	284410-8
35.0	7	284410-7
30.0	6	284410-6
25.0	5	284410-5
20.0	4	284410-4
15.0	3	284410-3
10.0	2	284410-2
DIM "A"	NO OF POS	PART NUMBER

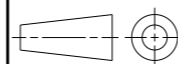


RECOMMENDED PCB LAYOUT



THIS DRAWING IS A CONTROLLED DOCUMENT.

DIMENSIONS:
mm



MATERIAL

TOLERANCES UNLESS OTHERWISE SPECIFIED:

- 0 PLC ±-
- 1 PLC ±.3
- 2 PLC ±.25
- 3 PLC ±-
- 4 PLC ±-
- ANGLES ±2

FINISH

DWN 01FEB2002

E. ZANOLINI

CHK 01FEB2002

E. ZANOLINI

APVD 01FEB2002

D. BIEVENOUR

PRODUCT SPEC

108-20166

APPLICATION SPEC

114-20079

WEIGHT

-

CUSTOMER DRAWING



NAME
 TERM BLOCK, PCB MOUNT, 270 DEG
 STACKING WITH INTERLOCK
 BOTTOM ENTRY WIRE, 5mm PITCH

SIZE CAGE CODE DRAWING NO RESTRICTED TO

A300779 C-284410

SCALE 3:1 SHEET 1 OF 2 REV D2

4

3

2

1

THIS DRAWING IS UNPUBLISHED.

RELEASED FOR PUBLICATION

20

© COPYRIGHT 20

BY -

ALL RIGHTS RESERVED.

REVISIONS

P	LTR	DESCRIPTION	DATE	DWN	APVD
	-	SEE SHEET 1	-	-	-

NOTES:

1 MATERIALS AND FINISH
HOUSING : PA 6.6, UL 94-V0, COLOR GREEN
CLAMP : BRASS, NICKEL PLATED
TERMINAL : BRASS, TIN PLATED
CLAMPING SCREW : M3, BRASS, NICKEL PLATED

2 MECHANICAL
MIN. PC BOARD HOLES DIAMETER : 1.4mm
MAX. PC BOARD THICKNESS : 2.4mm
RECOMMENDED TORQUE FOR SCREW : 0.5-0.6 Nm.
WIRE STRIPPING LENGTH : 5.5-6.5mm

3 ELECTRICAL
MAX. VOLTAGE : 300 V
MAX CURRENT : 17.5 A
CONTACT RESISTANCE : <15 m Ohm
INSULATION RESISTANCE : > 1000 M Ohm (500V DC)

4 OPERATING TEMPERATURE RANGE: -40°C TO +110°C

5 END-TO-END STACKABLE W/INTERLOCK WITHOUT LOSS OF CENTERLINE SPACING

6 WIRE SIZE RANGE
12 - 30 AWG

7 NOT CUMULATIVE TOLERANCE

8 OBSOLETE

THIS DRAWING IS A CONTROLLED DOCUMENT.

DIMENSIONS:

mm

TOLERANCES UNLESS OTHERWISE SPECIFIED:

0 PLC	±-
1 PLC	±.3
2 PLC	±.25
3 PLC	±-
4 PLC	±-
ANGLES	±2

MATERIAL

FINISH

DWN 01FEB2002

E. ZANOLINI

CHK 01FEB2002

E. ZANOLINI

APVD 01FEB2002

D. BIEVENOUR

PRODUCT SPEC

108-20166

APPLICATION SPEC

114-20079

WEIGHT

-

CUSTOMER DRAWING

TE Connectivity

NAME
TERM BLOCK, PCB MOUNT, 270 DEG
STACKING WITH INTERLOCK
BOTTOM ENTRY WIRE, 5mm PITCH

SIZE	CAGE CODE	DRAWING NO	RESTRICTED TO
A3	00779	C-284410	-

SCALE	SHEET	OF	REV
3:1	2	2	D2

1470-19 (3/13)

X-ON Electronics

Largest Supplier of Electrical and Electronic Components

Click to view similar products for [Fixed Terminal Blocks](#) category:

Click to view products by [TE Connectivity](#) manufacturer:

Other Similar products are found below :

[MBE-1512](#) [MBE-154](#) [MBE-156](#) [MBES-153](#) [MBES-156](#) [MH-2512](#) [MHE-132](#) [MHE-163](#) [MI-254 \(35\)](#) [MI-272](#) [880507](#) [MPT-275](#)
[15602-04-08-21](#) [ELM023100](#) [BA311TU](#) [BA411SU](#) [MV-152](#) [MV-252-D](#) [MV-253/NCNOC](#) [MV-254-D](#) [MV-255](#) [MV-462](#) [MV-493](#) [MVE-](#)
[252](#) [MVE-253](#) [MVE-273](#) [MVEB-153](#) [1700096](#) [1705142](#) [1712417](#) [1713020](#) [1713088](#) [1745195](#) [1760594](#) [1776118-2](#) [1790852](#) [1-796689-8](#)
[1-796692-6](#) [1800001](#) [1800114](#) [1995279](#) [20020314-C121B01LF](#) [20020316-G041B01LF](#) [CB2-12](#) [KP03215000J0G](#) [KP04215000J0G](#) [S451](#)
[282802-2](#) [29.007](#) [29.116](#)