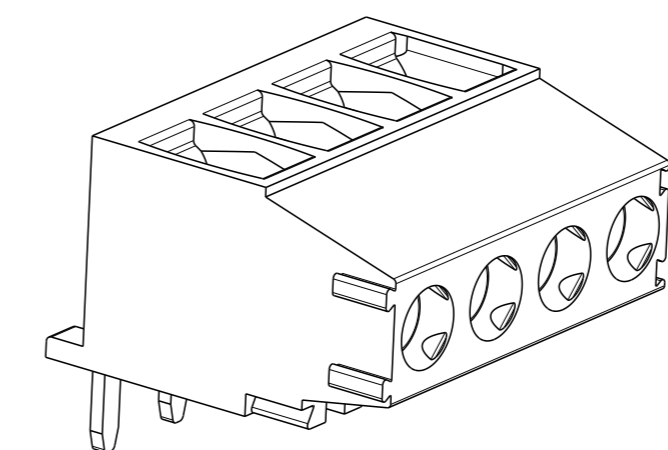
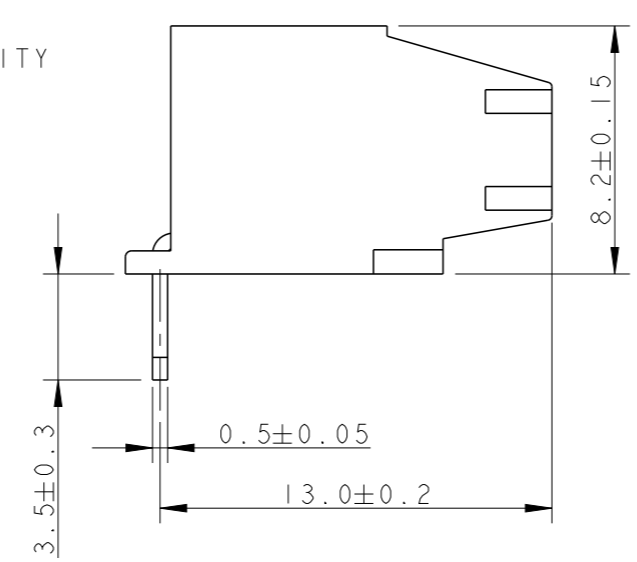
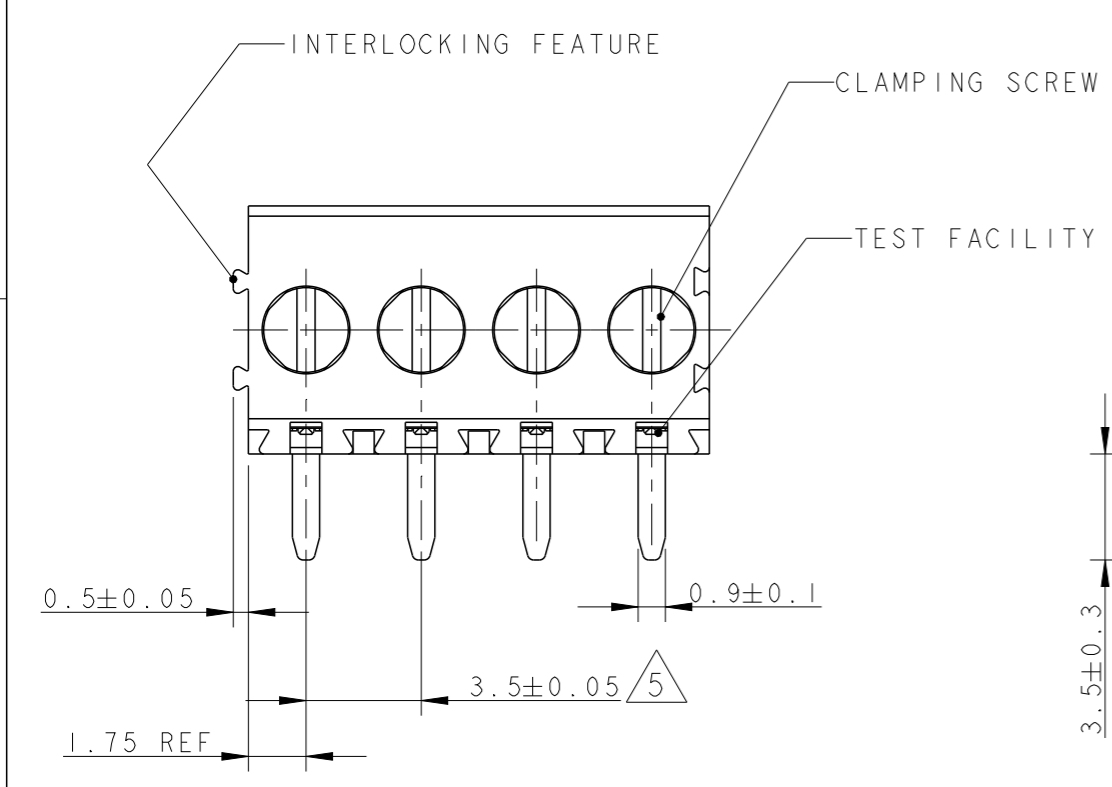
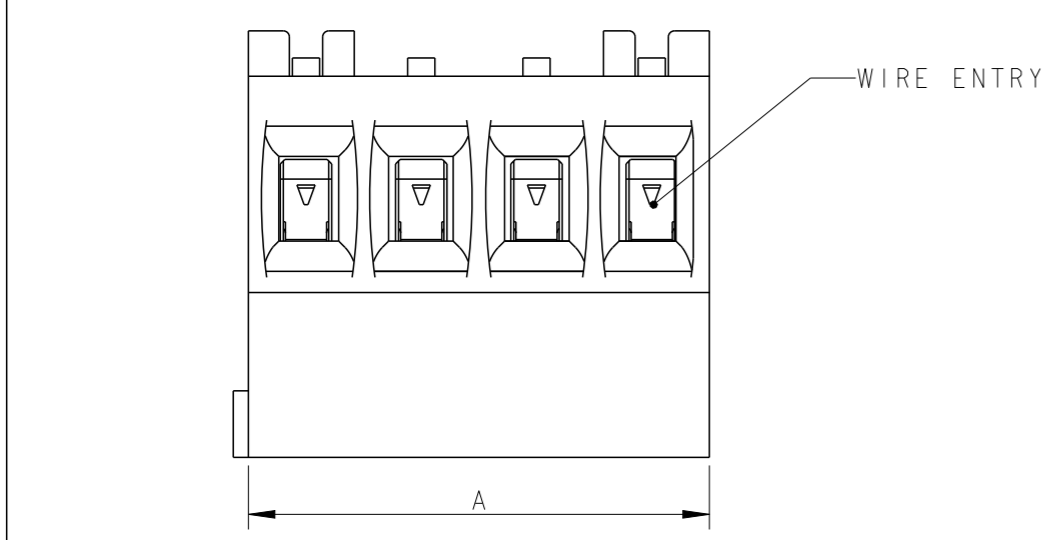


THIS DRAWING IS UNPUBLISHED. RELEASED FOR PUBLICATION 20
 © COPYRIGHT 20 ALL RIGHTS RESERVED.

LOC	DIST	REVISIONS			
P	LTR	DESCRIPTION	DATE	DWN	APVD
		B1	REVISED PER ECO-12-001398	23JAN12	KH MS
		C	PACKAGING CHANGE FROM BOX TO TRAY	08SEP2017	FP FP

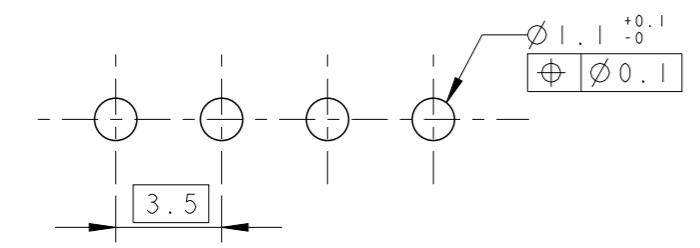


87.5	25	2-284414-5
84.0	24	2-284414-4
80.5	23	2-284414-3
77.0	22	2-284414-2
73.5	21	2-284414-1
70.0	20	2-284414-0
66.5	19	1-284414-9
63.0	18	1-284414-8
59.5	17	1-284414-7
56.0	16	1-284414-6
52.5	15	1-284414-5
49.0	14	1-284414-4
45.5	13	1-284414-3
42.0	12	1-284414-2
38.5	11	1-284414-1
35.0	10	1-284414-0
31.5	9	284414-9
28.0	8	284414-8
24.5	7	284414-7
21.0	6	284414-6
17.5	5	284414-5
14.0	4	284414-4
10.5	3	284414-3
7.0	2	284414-2
DIM "A"	NO OF POS	PART NUMBER



- 1 MATERIALS AND FINISH
 HOUSING : PA 6.6, UL 94-V0, COLOR GREEN.
 CLAMP : BRASS, NICKEL PLATED
 TERMINAL : BRASS, TIN PLATED
 CLAMPING SCREW : M2, BRASS, NICKEL PLATED
- 2 SUITABLE FOR 1.6-2.4 mm. PC BOARD THICKNESS.
- 3 END-TO-END STACKABLE W/INTERLOCK WITHOUT LOSS OF CENTERLINE SPACING
- 4 WIRE SIZE RANGE
 12 - 30 AWG
- 5 NOT CUMULATIVE TOLERANCE

RECOMMENDED PCB BOARD LAYOUT



THIS DRAWING IS A CONTROLLED DOCUMENT.		DWN 01FEB2002 E. ZANOLINI	TE Connectivity	
DIMENSIONS: mm		CHK 01FEB2002 E. ZANOLINI		
TOLERANCES UNLESS OTHERWISE SPECIFIED:		APVD 01FEB2002 D. BIEVENOUR	NAME TERMINAL BLOCK PCB MOUNT, 90 Deg TOP ENTRY WIRE, STACKING W/INTERLOCK, 3.5mm PITCH	
0 PLC ±-		PRODUCT SPEC 108-20166	SIZE CAGE CODE DRAWING NO RESTRICTED TO	
1 PLC ±.3		APPLICATION SPEC 114-20079	A300779 C-284414	
2 PLC ±.25		WEIGHT -	SCALE 4:1 SHEET 1 OF 1 REV C	
3 PLC ±-		CUSTOMER DRAWING		
4 PLC ±-				
ANGLES ±2				
MATERIAL 1				
FINISH 1				

X-ON Electronics

Largest Supplier of Electrical and Electronic Components

Click to view similar products for [Fixed Terminal Blocks](#) category:

Click to view products by [TE Connectivity](#) manufacturer:

Other Similar products are found below :

[MBE-1512](#) [MBE-1520](#) [MBE-154](#) [MBE-156](#) [MBES-156](#) [MH-2512](#) [MHE-132](#) [MHE-163](#) [MI-254 \(35\)](#) [MI-272](#) [MPT-275](#) [ELM10110G](#)
[BA311TU](#) [BA411SU](#) [MV-253/NCNOC](#) [MV-254-D](#) [MV-255](#) [MV-493](#) [MVE-252](#) [MVE-253](#) [MVE-273](#) [MVEB-153](#) [1700096](#) [1705142](#)
[1712417](#) [1713088](#) [1745195](#) [1760594](#) [1-796689-8](#) [1-796692-6](#) [1800114](#) [20020314-C121B01LF](#) [20020316-G041B01LF](#) [KP03215000J0G](#)
[KP04215000J0G](#) [S451](#) [29.007](#) [29.116](#) [30.103](#) [30.106](#) [30.503](#) [30.608](#) [30.755](#) [30.853](#) [9872-0-00-15-00-00-33-0](#) [996750](#) [1706303](#) [1710052](#)
[1712418](#) [1733868](#)