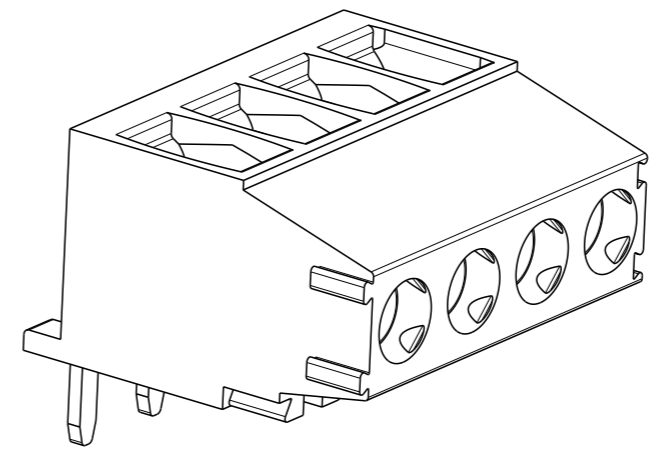
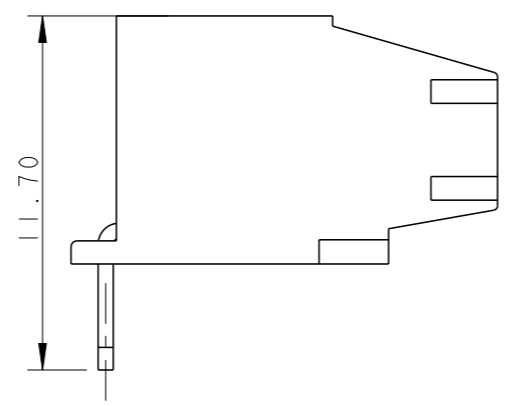
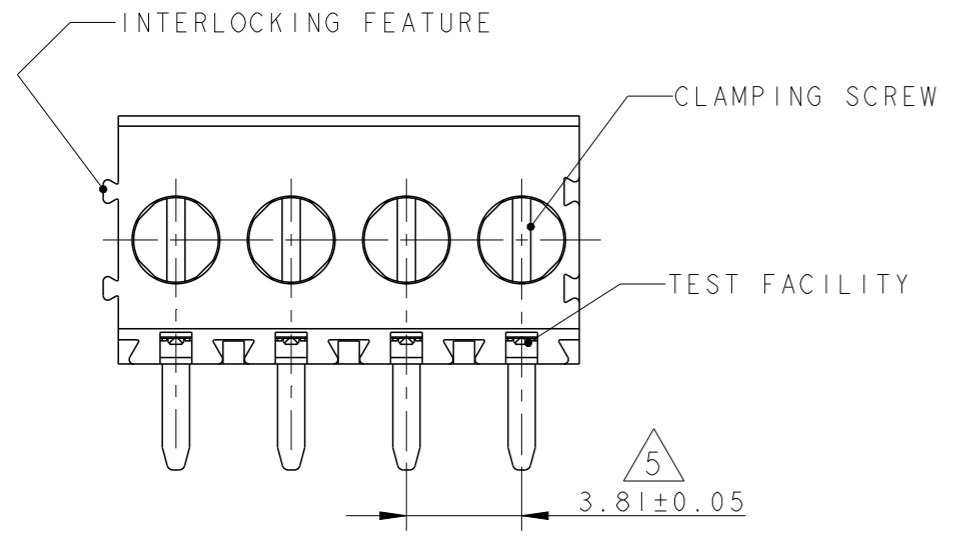


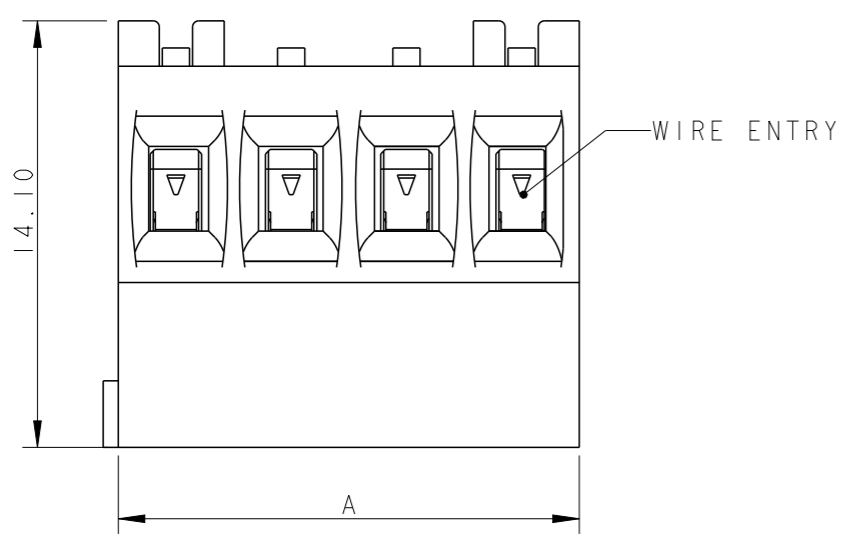
THIS DRAWING IS UNPUBLISHED. RELEASED FOR PUBLICATION 20
 © COPYRIGHT 20 BY TYCO ELECTRONICS CORPORATION. ALL RIGHTS RESERVED.

LOC	DIST	REVISIONS			
P	LTR	DESCRIPTION	DATE	DWN	APVD
FT	0				
	B	REVISED PER 0G3B-0119-01	04FEB2002	EZ	DB
	D	PACKAGING CHANGE FROM BOX TO TRAY	08SEP2017	FP	FP



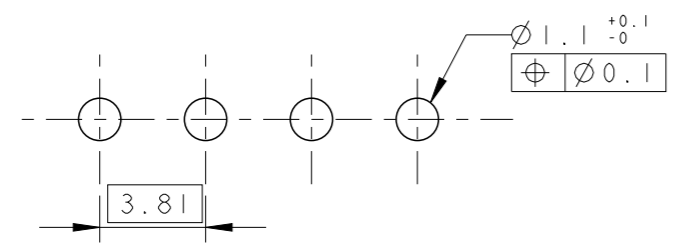
284415-4 AS SHOWN

95.25	25	2-284415-5
91.44	24	2-284415-4
87.65	23	2-284415-3
83.82	22	2-284415-2
80.01	21	2-284415-1
76.20	20	2-284415-0
72.39	19	1-284415-9
68.58	18	1-284415-8
64.77	17	1-284415-7
60.96	16	1-284415-6
57.15	15	1-284415-5
53.34	14	1-284415-4
49.53	13	1-284415-3
45.72	12	1-284415-2
41.91	11	1-284415-1
38.10	10	1-284415-0
34.29	9	284415-9
30.84	8	284415-8
26.67	7	284415-7
22.86	6	284415-6
19.05	5	284415-5
15.24	4	284415-4
11.43	3	284415-3
7.62	2	284415-2
DIM "A"	NO OF POS	PART NUMBER



- 1 MATERIALS AND FINISH
 HOUSING : PA 6.6, UL 94-V0, COLOR GREEN.
 CLAMP : BRASS, NICKEL PLATED
 TERMINAL : BRASS, TIN PLATED
 CLAMPING SCREW : M3, BRASS, NICKEL PLATED
- 2 SUITABLE FOR 1.6-2.4 mm. PC BOARD THICKNESS.
- 3 END-TO-END STACKABLE W/INTERLOCK WITHOUT LOSS OF CENTERLINE SPACING
- 4 WIRE SIZE RANGE
 12 - 30 AWG
- 5 NOT CUMULATIVE TOLERANCE

RECOMMENDED PCB BOARD LAYOUT



<small>THIS DRAWING IS A CONTROLLED DOCUMENT FOR TYCO ELECTRONICS CORPORATION IT IS SUBJECT TO CHANGE AND THE CONTROLLING ENGINEERING ORGANIZATION SHOULD BE CONTACTED FOR THE LATEST REVISION.</small>		DWN 04FEB2002 E. ZANOLINI		BUCHANAN Tyco Electronics Harrisburg, PA 17105-3608	
DIMENSIONS: mm		TOLERANCES UNLESS OTHERWISE SPECIFIED: 0 PLC ±- 1 PLC ±0.3 2 PLC ±0.25 3 PLC ±- 4 PLC ±- ANGLES ±2		CHK 04FEB2002 E. ZANOLINI APVD 04FEB2002 D. BIEVENOUR PRODUCT SPEC 108-20166 APPLICATION SPEC 114-20079 WEIGHT -	
MATERIAL 1		FINISH 1		NAME TERMINAL BLOCK PCB MOUNT, 90 Deg TOP ENTRY WIRE, STACKING W/INTERLOCK, 3.81mm PITCH	
		SIZE A3 CAGE CODE 00779 DRAWING NO C-284415		RESTRICTED TO -	
CUSTOMER DRAWING				SCALE 4:1 SHEET 1 OF 1 REV D	

X-ON Electronics

Largest Supplier of Electrical and Electronic Components

Click to view similar products for [Fixed Terminal Blocks](#) category:

Click to view products by [TE Connectivity](#) manufacturer:

Other Similar products are found below :

[MBE-1512](#) [MBE-154](#) [MBE-156](#) [MBES-153](#) [MBES-156](#) [MH-2512](#) [MHE-132](#) [MHE-163](#) [MI-254 \(35\)](#) [MI-272](#) [880507](#) [MPT-275](#)
[15602-04-08-21](#) [BA311TU](#) [BA411SU](#) [MV-152](#) [MV-252-D](#) [MV-253/NCNOC](#) [MV-254-D](#) [MV-255](#) [MV-462](#) [MV-493](#) [MVE-252](#) [MVE-253](#)
[MVE-273](#) [MVEB-153](#) [1700096](#) [1705142](#) [1712417](#) [1713020](#) [1713088](#) [1745195](#) [1760594](#) [1776118-2](#) [1790852](#) [1-796689-8](#) [1-796692-6](#)
[1800001](#) [1800114](#) [1995279](#) [20020314-C121B01LF](#) [20020316-G041B01LF](#) [CB2-12](#) [KP03215000J0G](#) [KP04215000J0G](#) [S451](#) [282802-2](#)
[29.007](#) [29.116](#) [30.103](#)