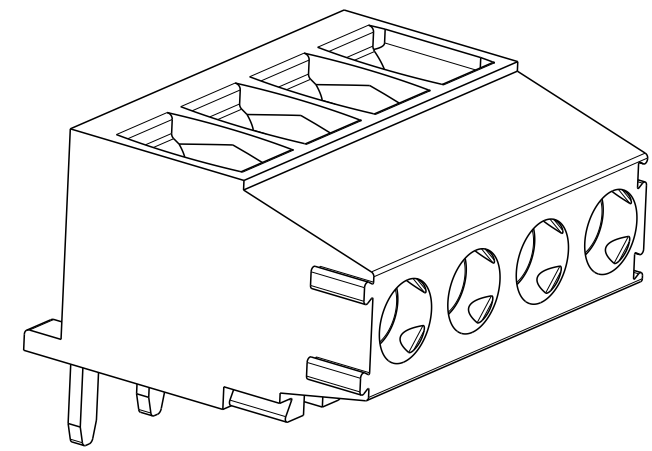
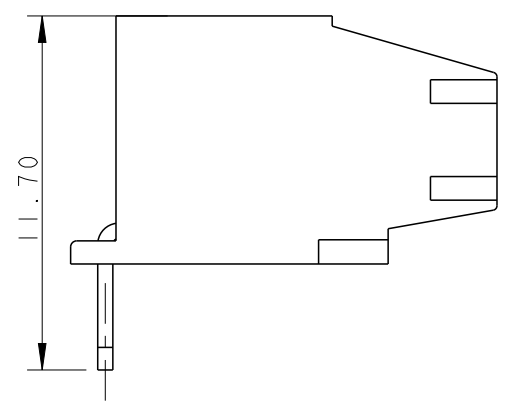
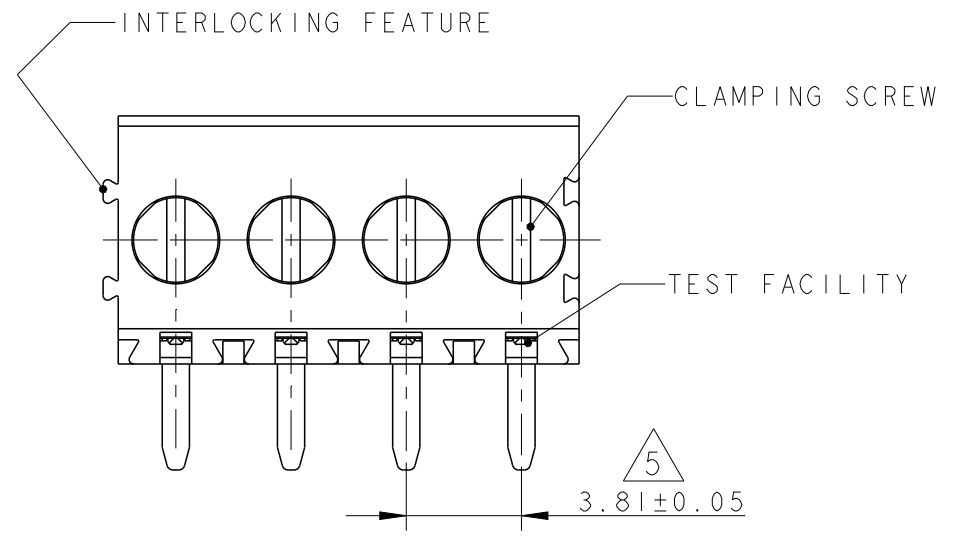


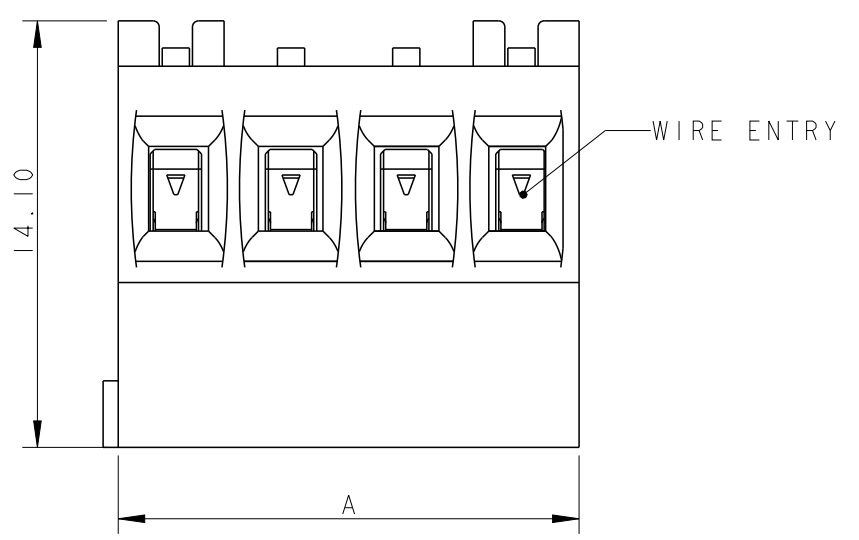
THIS DRAWING IS UNPUBLISHED. RELEASED FOR PUBLICATION 20
 © COPYRIGHT 20 BY TYCO ELECTRONICS CORPORATION. ALL RIGHTS RESERVED.

LOC	DIST	REVISIONS			
P	LTR	DESCRIPTION	DATE	DWN	APVD
		B	REVISED PER 0G3B-0119-01	04FEB2002	EZ DB
		D	PACKAGING CHANGE FROM BOX TO TRAY	08SEP2017	FP FP



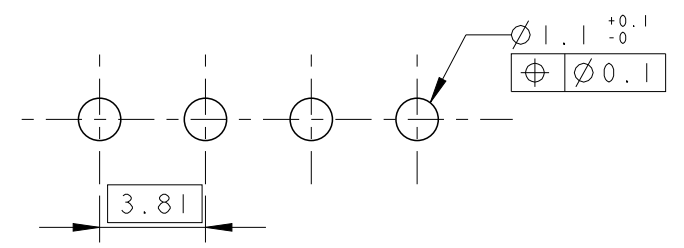
284415-4 AS SHOWN

95.25	25	2-284415-5
91.44	24	2-284415-4
87.65	23	2-284415-3
83.82	22	2-284415-2
80.01	21	2-284415-1
76.20	20	2-284415-0
72.39	19	1-284415-9
68.58	18	1-284415-8
64.77	17	1-284415-7
60.96	16	1-284415-6
57.15	15	1-284415-5
53.34	14	1-284415-4
49.53	13	1-284415-3
45.72	12	1-284415-2
41.91	11	1-284415-1
38.10	10	1-284415-0
34.29	9	284415-9
30.84	8	284415-8
26.67	7	284415-7
22.86	6	284415-6
19.05	5	284415-5
15.24	4	284415-4
11.43	3	284415-3
7.62	2	284415-2
DIM "A"	NO OF POS	PART NUMBER



- 1 MATERIALS AND FINISH
 HOUSING : PA 6.6, UL 94-V0, COLOR GREEN.
 CLAMP : BRASS, NICKEL PLATED
 TERMINAL : BRASS, TIN PLATED
 CLAMPING SCREW : M3, BRASS, NICKEL PLATED
- 2 SUITABLE FOR 1.6-2.4 mm. PC BOARD THICKNESS.
- 3 END-TO-END STACKABLE W/INTERLOCK WITHOUT LOSS OF CENTERLINE SPACING
- 4 WIRE SIZE RANGE
 12 - 30 AWG
- 5 NOT CUMULATIVE TOLERANCE

RECOMMENDED PCB BOARD LAYOUT



THIS DRAWING IS A CONTROLLED DOCUMENT FOR TYCO ELECTRONICS CORPORATION IT IS SUBJECT TO CHANGE AND THE CONTROLLING ENGINEERING ORGANIZATION SHOULD BE CONTACTED FOR THE LATEST REVISION.		DWN 04FEB2002 E. ZANOLINI	BUCHANAN Tyco Electronics Harrisburg, PA 17105-3608		
DIMENSIONS: mm		CHK 04FEB2002 E. ZANOLINI			
TOLERANCES UNLESS OTHERWISE SPECIFIED:		APVD 04FEB2002 D. BIEVENOUR	NAME TERMINAL BLOCK PCB MOUNT, 90 Deg TOP ENTRY WIRE, STACKING W/INTERLOCK, 3.81mm PITCH		
0 PLC ± 1 PLC ±0.3 2 PLC ±0.25 3 PLC ± 4 PLC ± ANGLES ±2		PRODUCT SPEC 108-20166	SIZE A3	CAGE CODE 00779	DRAWING NO C-284415
MATERIAL		APPLICATION SPEC 114-20079	RESTRICTED TO		
FINISH		WEIGHT -	SCALE 4:1 SHEET 1 OF 1 REV D		
CUSTOMER DRAWING					

X-ON Electronics

Largest Supplier of Electrical and Electronic Components

Click to view similar products for [Fixed Terminal Blocks](#) category:

Click to view products by [TE Connectivity](#) manufacturer:

Other Similar products are found below :

[MBE-1512](#) [MBE-154](#) [MBE-156](#) [MBES-153](#) [MBES-156](#) [MH-2512](#) [MHE-132](#) [MHE-163](#) [MI-254 \(35\)](#) [MI-272](#) [880507](#) [MPT-275](#)
[15602-04-08-21](#) [ELM023100](#) [BA311TU](#) [BA411SU](#) [MV-152](#) [MV-252-D](#) [MV-253/NCNOC](#) [MV-254-D](#) [MV-255](#) [MV-462](#) [MV-493](#) [MVE-](#)
[252](#) [MVE-253](#) [MVE-273](#) [MVEB-153](#) [1700096](#) [1705142](#) [1712417](#) [1713020](#) [1713088](#) [1745195](#) [1760594](#) [1776118-2](#) [1790852](#) [1-796689-8](#)
[1-796692-6](#) [1800001](#) [1800114](#) [1995279](#) [20020314-C121B01LF](#) [CB2-12](#) [KP03215000J0G](#) [KP04215000J0G](#) [S451](#) [282802-2](#) [29.007](#) [29.116](#)
[30.103](#)