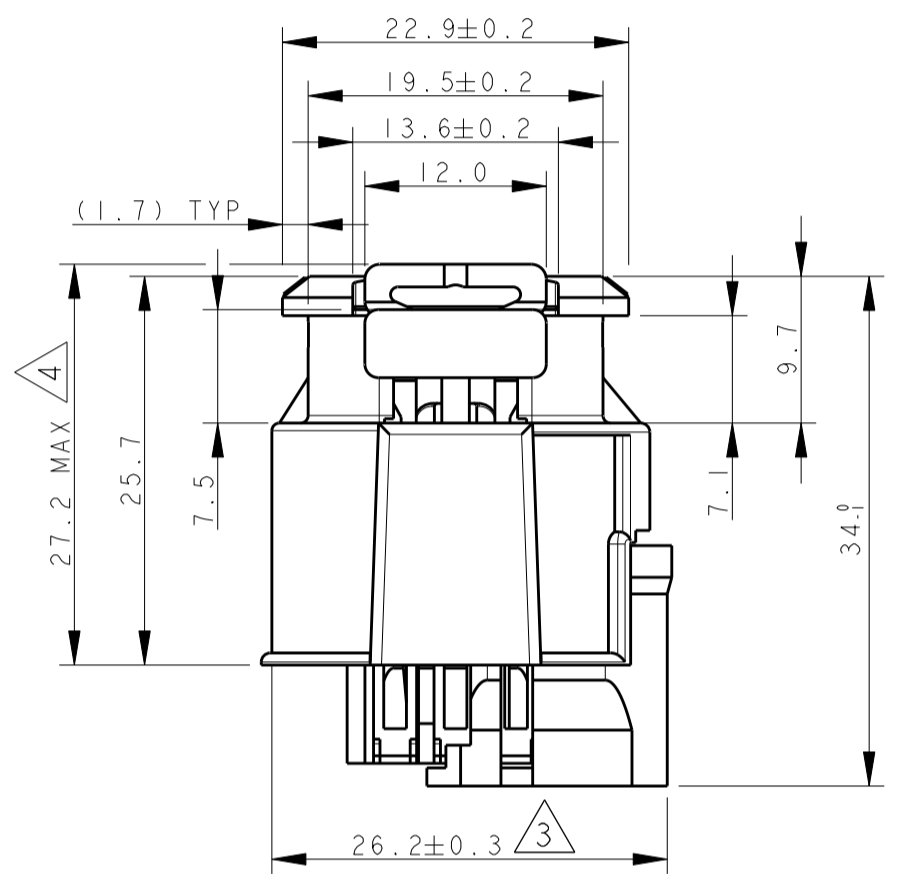
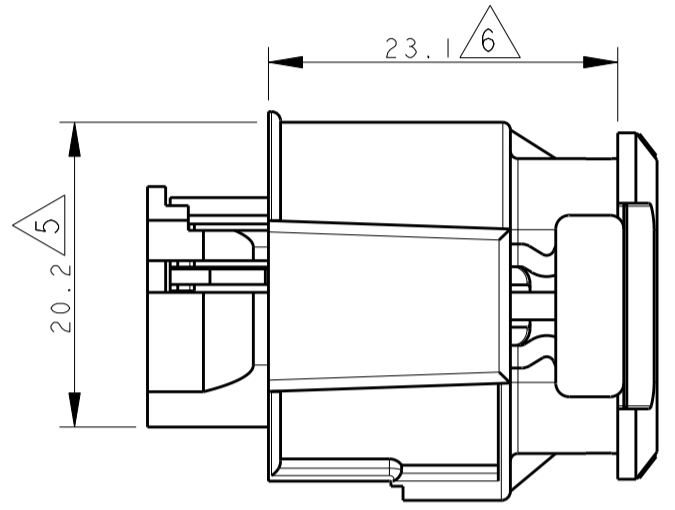
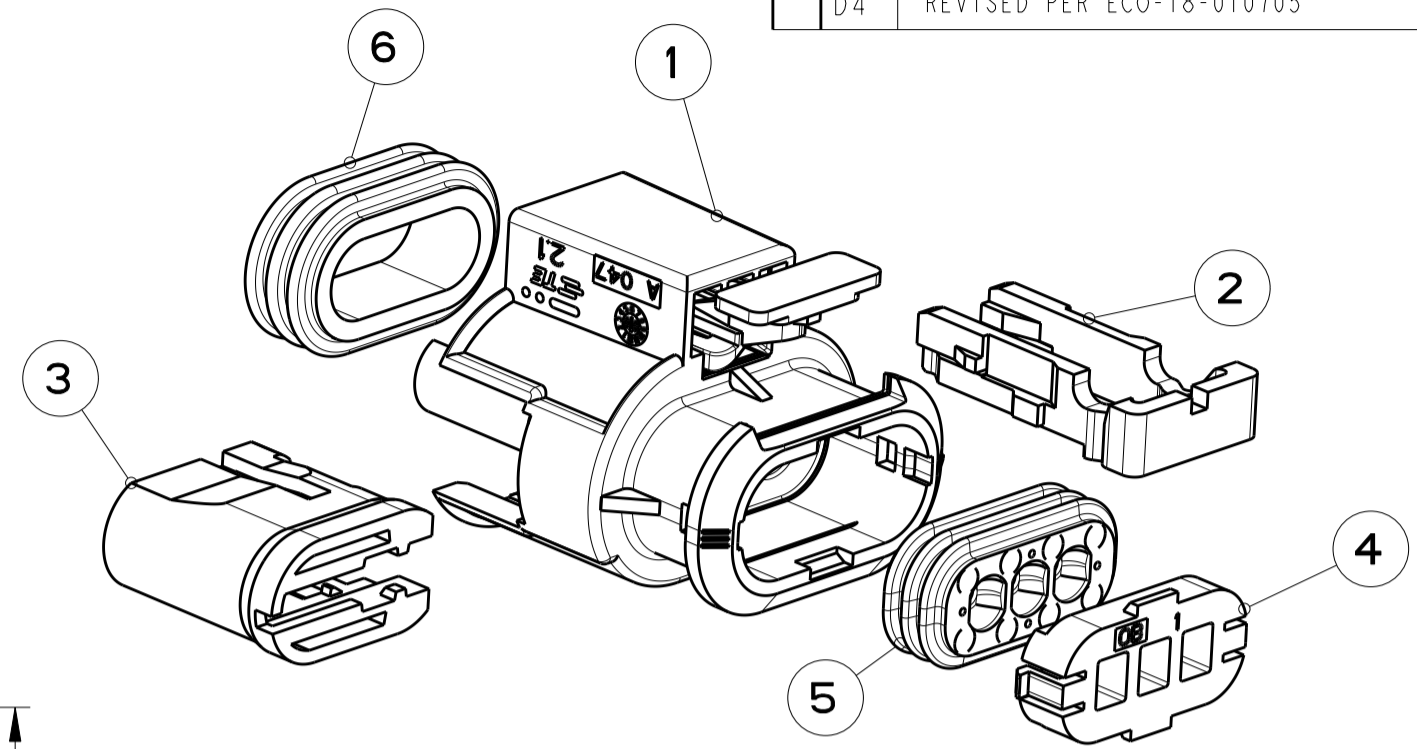
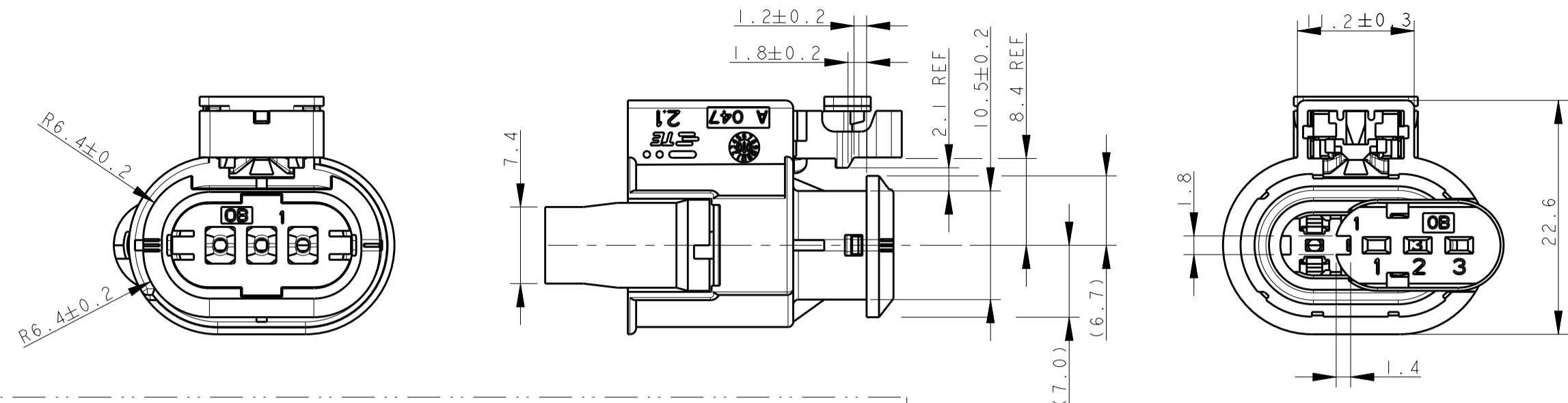


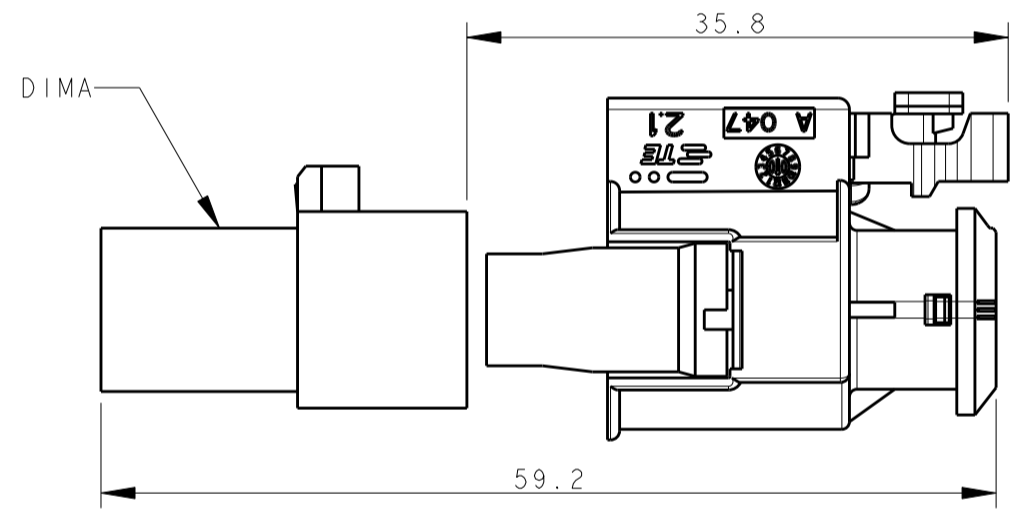
THIS DRAWING IS UNPUBLISHED. RELEASED FOR PUBLICATION 2009
 © COPYRIGHT 2009 BY - ALL RIGHTS RESERVED.

REVISIONS					
P	LTR	DESCRIPTION	DATE	DWN	APVD
D1		ECR-15-011013	29JUL2015	M.P.	M.G.
D2		REVISED PER ECO-17-001706	10FEB2017	C.A.	M.G.
D3		REVISED PER ECO-18-005949	18DEC2017	AP	MG
D4		REVISED PER ECO-18-010705	06JUN2018	AP	VN

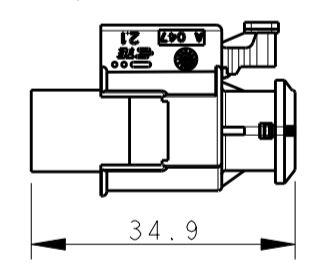


ITEM	DESCRIPTION	MATERIAL	COLOUR	Q.TY
1	HOUSING (BLOCCHETTO PORTACONTATTI)	SEE POLARIZATION KEYS TABLE	SEE POLARIZATION KEYS TABLE (VEDI TABELLA CHIAVI POLARIZZAZIONE)	1
2	CPA-CONNECTOR POSITION ASSURANCE (DISPOSITIVO CORRETTO ACCOPPIAMENTO)	PA 6.6 GF13	YELLOW (GIALLO)	1
3	SECONDARY LOCK (DISPOSITIVO AGGANCIO SECONDARIO)	PA 6.6 GF13	RED (ROSSO)	1
4	POLARIZATOR (COPERCHIO POLARIZZATORE)	PA 6.6 GF13	BLACK (NERO)	1
5	FAMILY SEAL (GUARNIZIONE MULTIPLA)	LSR	REDDISH BROWN (ROSSO MATTONE)	1
6	PERIPHERAL SEAL (GUARNIZIONE PERIFERICA)	LSR	REDDISH BROWN (ROSSO MATTONE)	1

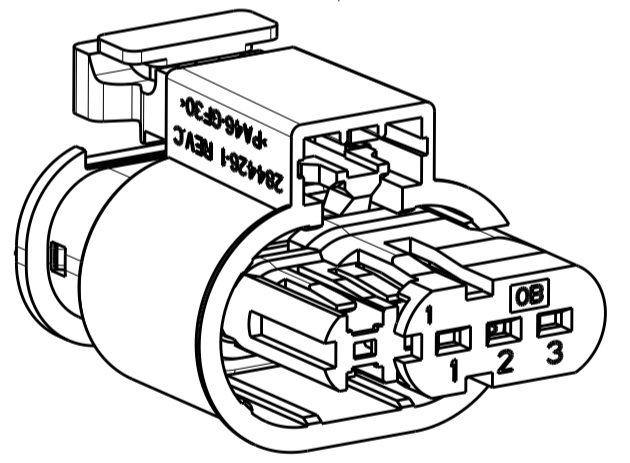
DIMENSION OF MATING SPACE WITH COUNTERPART (QUOTA D'INGOMBRO PER ACCOPPIAMENTO CON DIMA)



DIMENSION FOR FINAL MATING SPACE (QUOTA D'INGOMBRO FINALE)



SCALE 1:1



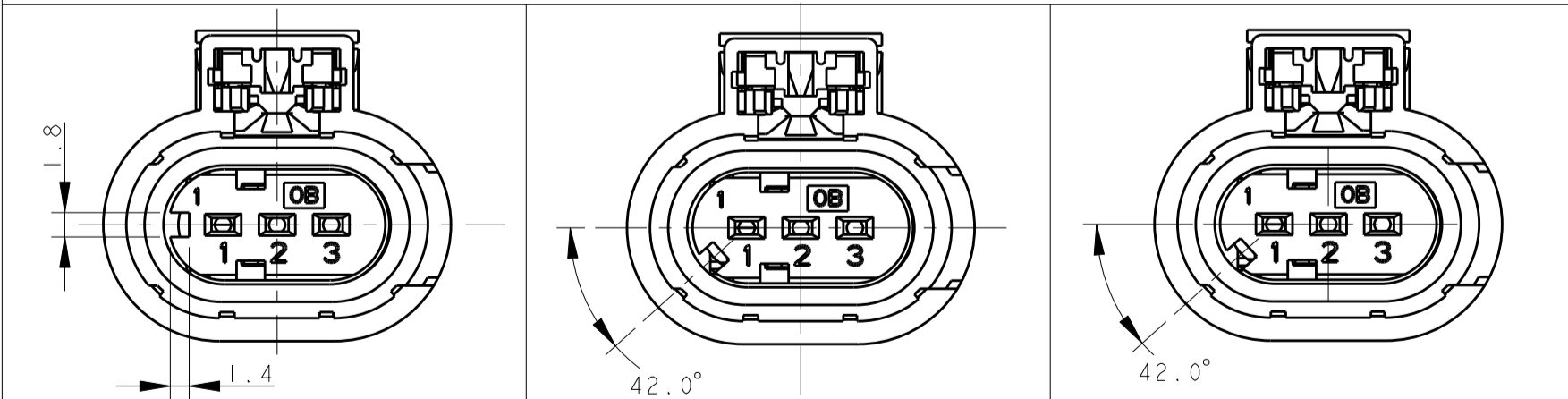
P/N 284425-1 AS SHOWN (P/N 284425-1 COME MOSTRATO)

1) ALL CAVITIES ARE SUITABLE TO INSERT RECEPTACLE CONTACTS:
 SENSOR FLAT CONTACT P.N. 929025-1, WIRE RANGE FROM 1.5 TO 2.0 mm²
 SENSOR FLAT CONTACT P.N. 929027-1, WIRE RANGE FROM 0.75 TO 1.0 mm²
 BOTH CONTACTS ARE GOLD PLATED IN CONTACT AREA
 FOR MINIMUM ACCEPTABLE CABLE INSULATION DIAMETER SEE SEALING PERFORMANCES SECTION ON PRODUCT SPECIFICATION N. 108-20207.
 SEE APPLICATION SPEC. N. 114-18254 FOR CORRECT WIRE CRIMP PARAMETER
 (LE CAVITA' SONO ADATTE PER INSERIRE CONTATTI:
 SENSOR FLAT CONTACT P.N. 929025-1, RANGO FILO DA 1.5 A 2.0 mm²
 SENSOR FLAT CONTACT P.N. 929027-1, RANGO FILO DA 0.75 A 1.0 mm²
 ENTRAMBI I CONTATTI SONO DORATI NELLA ZONA DI CONTATTO
 PER IL MINIMO DIAMETRO ACCETTABILE DELL'ISOLANTE VEDI PARAGRAFO 'SEALING PERFORMANCES' SU SPECIFICA DI PRODOTTO N. 108-20207.
 VEDI SPECIFICA DI APPLICAZIONE N. 114-18254 PER LA CORRETTA AGGRAFFATURA DEL CAVO)

2) FOR COUNTERPART INTERFACE DRAWING SEE SHEET 2 OF 2 (PER IL DISEGNO D'INTERFACCIA DELLA CONTROPARTE VEDI FOGLIO 2 DI 2)

- 3 SECONDARY LOCK PRE-ASSEMBLED POSITION (POSIZIONE PRE-ASSEMBLATA DELL'AGGANCIO SECONDARIO)
- 4 CPA PRE-ASSEMBLED POSITION (CPA IN POSIZIONE PRE-ASSEMBLATA)
- 5 SECONDARY LOCK IN PROPER POSITION FOR MATING WITH COUNTERPART (AGGANCIO SECONDARIO IN POSIZIONE CORRETTA PER CONNESSIONE CON CONTROPARTE)
- 6 CPA IN CLOSED POSITION, WHEN THE CONNECTOR IS PROPERLY MATED WITH COUNTERPART (CPA IN POSIZIONE CHIUSA QUANDO IL CONNETTORE E' CORRETTAMENTE ACCOPPIATO CON CONTROPARTE)

POLARIZATION KEYS
(CHIAVI DI POLARIZZAZIONE)



P/N 284425-1 REV. D BLACK COLOUR (COLORE NERO)	MATERIAL- PA 4.6 GF 30	P/N 284425-2 REV. D BLACK COLOUR (COLORE NERO)	MATERIAL- PA 4.6 GF 30	P/N 284425-3 REV. D GREY COLOUR (COLORE GRIGIO)	MATERIAL- PA 4.6 GF 30
P/N 1-284425-1 REV. D BLACK COLOUR (COLORE NERO)	MATERIAL- PBT GF 30	P/N 1-284425-2 REV. D BLACK COLOUR (COLORE NERO)	MATERIAL- PBT GF 30	P/N 1-284425-3 REV. D GREY COLOUR (COLORE GRIGIO)	MATERIAL- PBT GF 30

THIS DRAWING IS A CONTROLLED DOCUMENT. DWN P. CASSANDRIN 19MAR99
 CHK O. CANUTO 19MAR99

STE TE Connectivity

NAME: 3 POSITIONS CONNECTOR FOR SPARK COIL

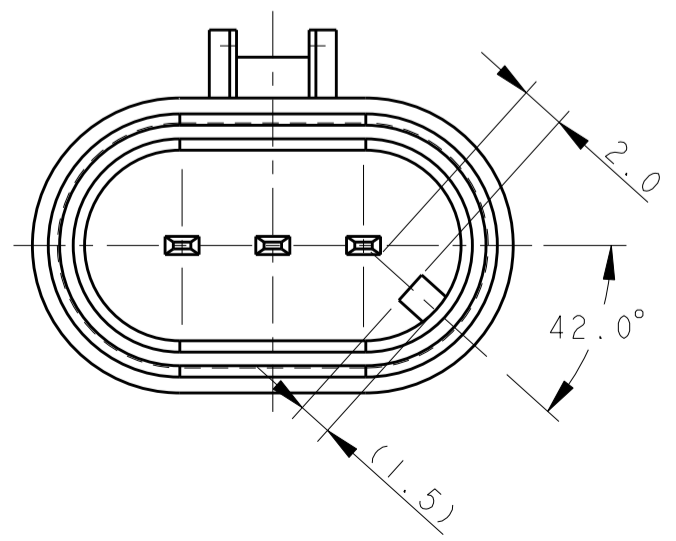
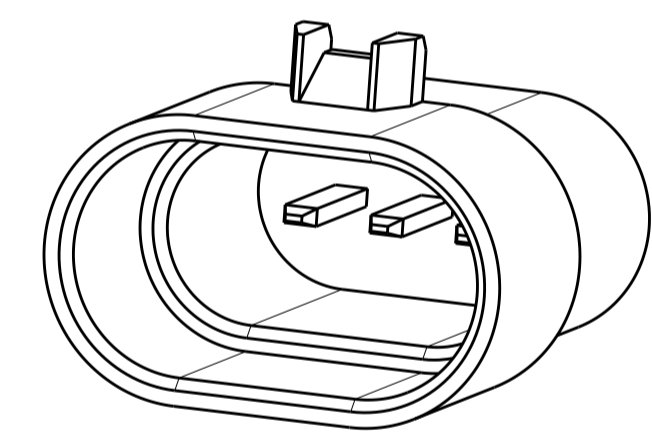
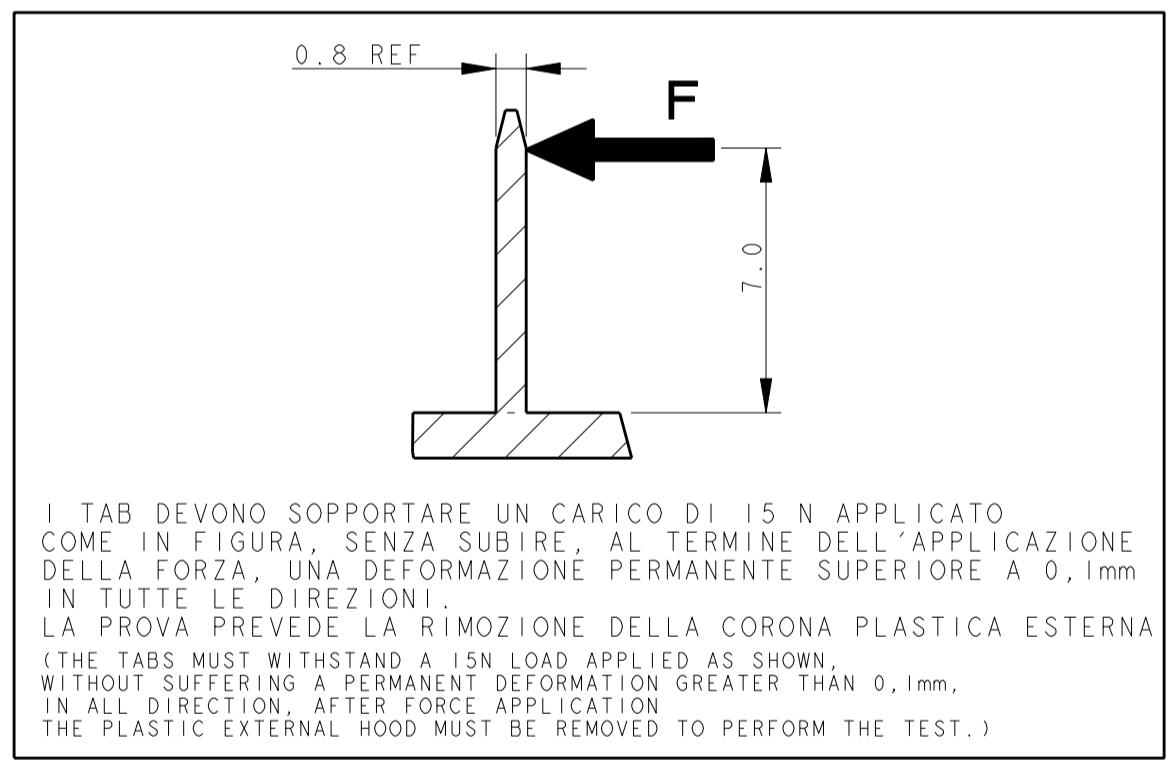
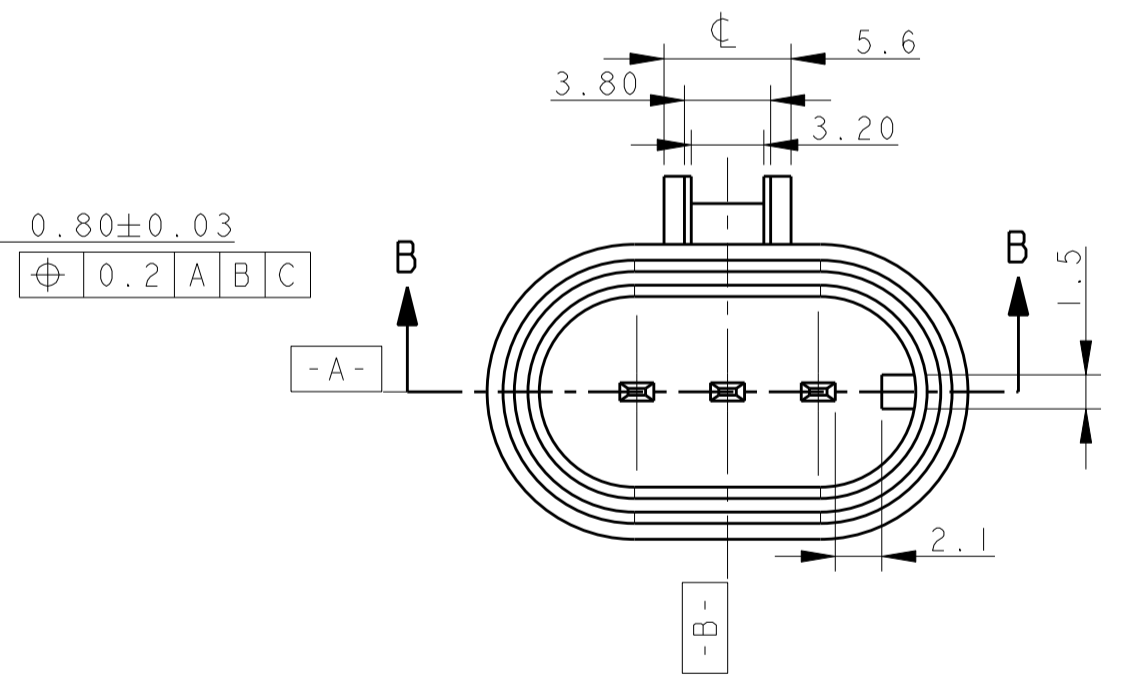
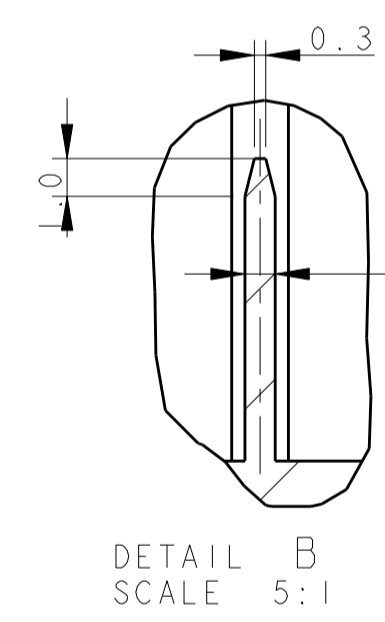
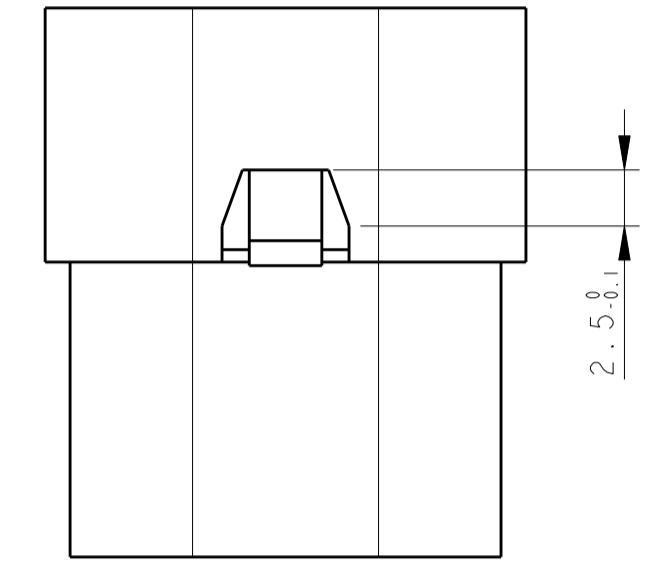
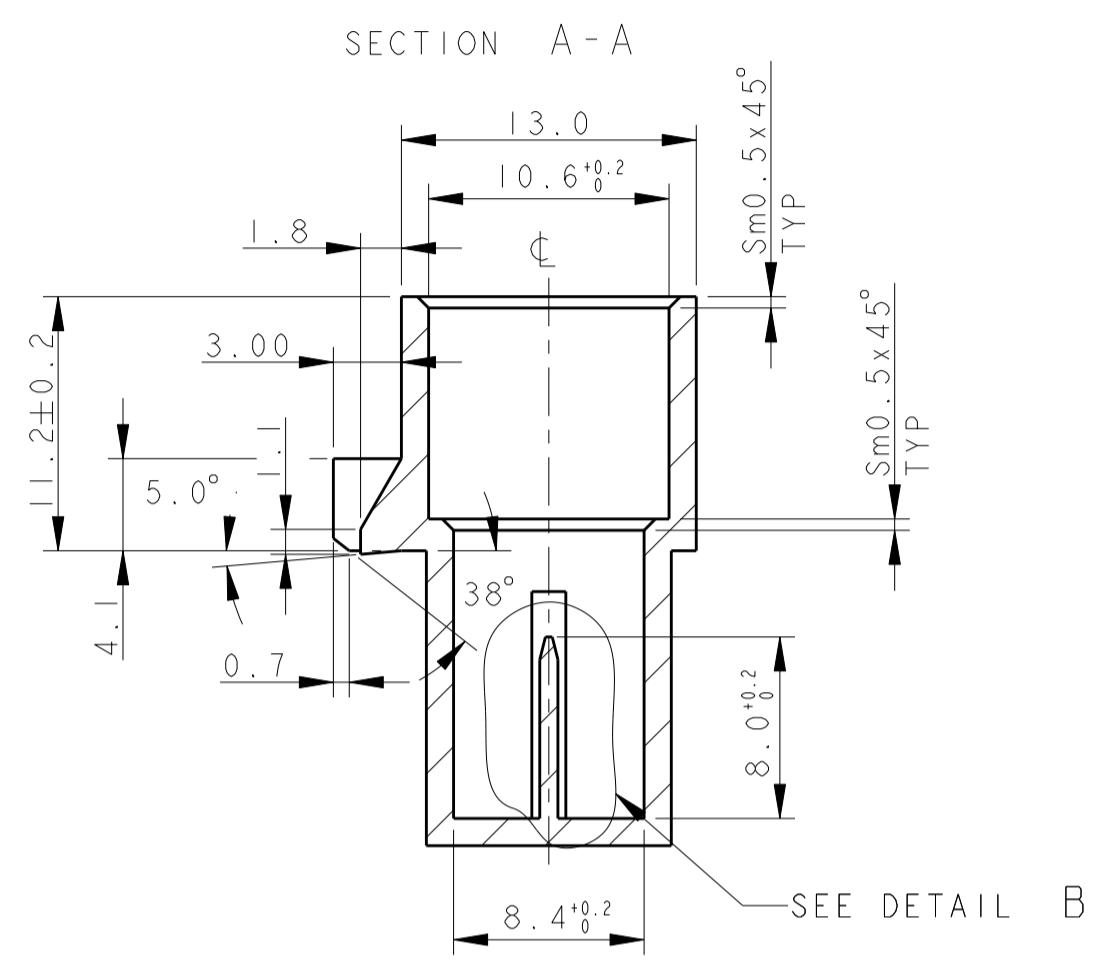
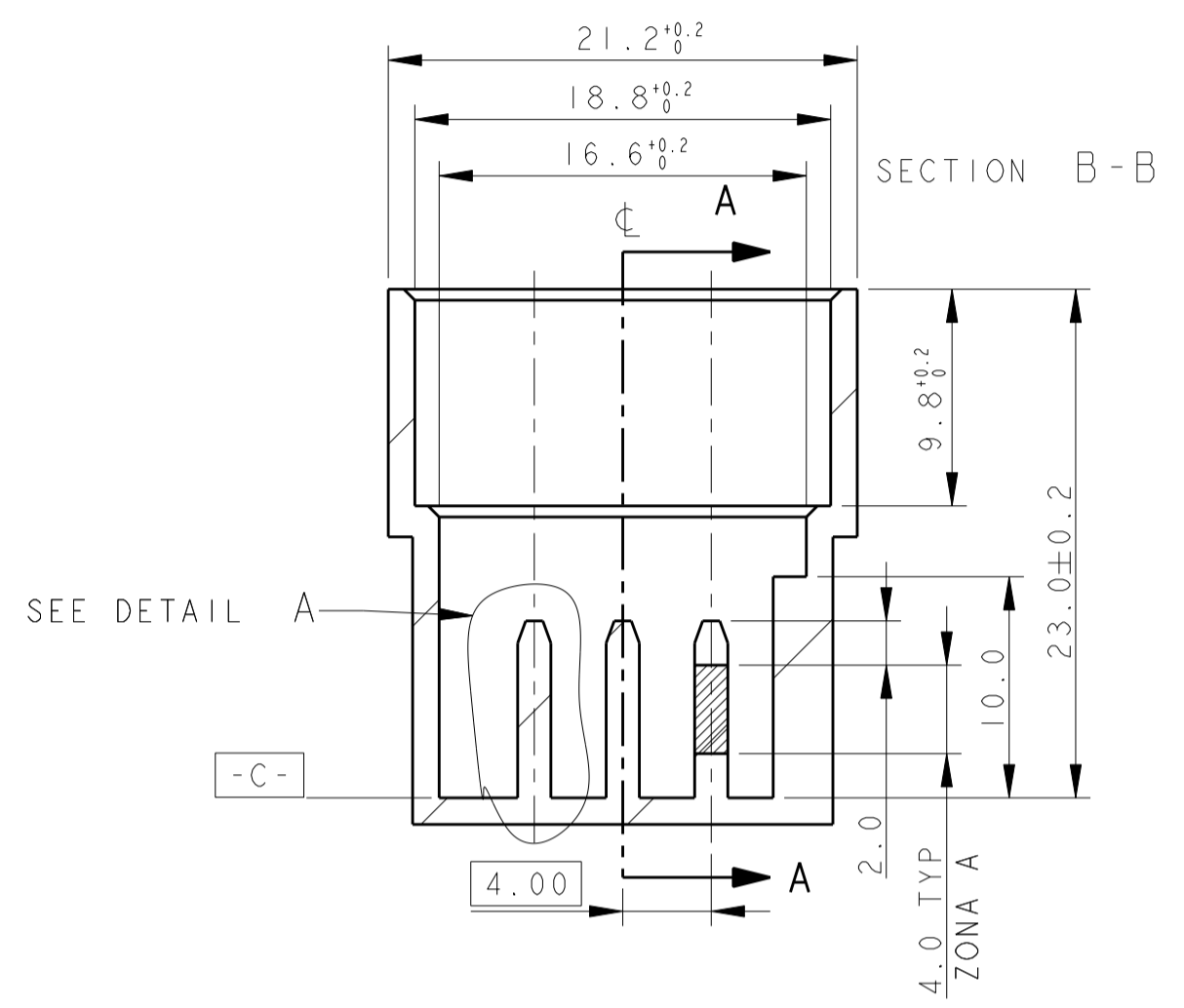
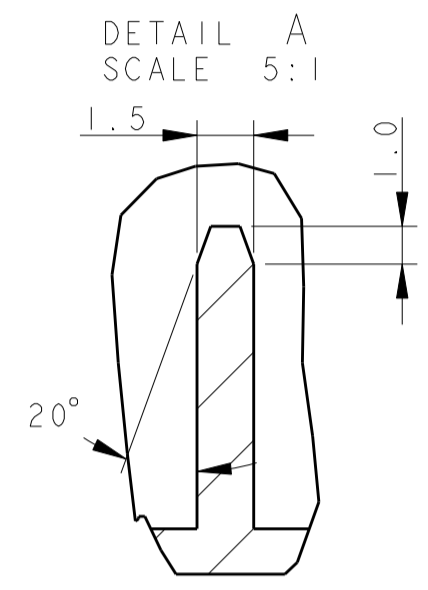
PRODUCT SPEC: 108-20207
 APPLICATION SPEC: 411-20059

SIZE: A2 CAGE CODE: 260779 DRAWING NO: C-284425 RESTRICTED TO: 1 OF 2 REV: D4

MATERIAL: - TOLERANCES UNLESS OTHERWISE SPECIFIED: 0 PLC ±0.3, 1 PLC ±0.2, 2 PLC ±0.1, 3 PLC ±, 4 PLC ±, ANGLES ±1, FINISH: -

CUSTOMER DRAWING SCALE: 2:1 SHEET: 1 OF 2 REV: D4

REVISIONS					
P	LTR	DESCRIPTION	DATE	DWN	APVD
-		SEE SHEET 1			



-COUNTERPART INTERFACE DRAWING FOR 3 POS. SPARK COIL CONNECTOR P.N. 284425-2/-3, I-284425-2/-3 (DISEGNO DI INTERFACCIA DELLA CONTROPARTE VALIDO PER CONNETTORE SPARK COIL 3 POS. P.N. 284425-2/-3, I-284425-2/-3)
 -IT DIFFERS FROM WHAT ABOVE FOR SHOWN DIMENSIONS (DIFFERISCE QA QUANTO SOPRA PER LE DIMENSIONI INDICATE)

MATERIALS: (MATERIALI:)

-BODY IN PLASTIC MATERIAL SUITABLE FOR 150°C TEMPERATURE (CORPO IN MATERIALE PLASTICO ADATTO PER TEMPERATURA DI 150°C CONTINUATIVI)

-TABS: BRASS WITH 0.4 micron MIN GOLD IN ZONE A OVER 1.3/3.5 micron MIN NICKEL (LINGUETTE IN OTTONE DORATO, 0.4 micron MIN DI ORO IN ZONA A SU 1.3/3.5 micron DI NICKEL)

THIS DRAWING IS A CONTROLLED DOCUMENT.		DWN P. CASSANDRIN 19MAR99	TE Connectivity
		CHK O. CANUTO 19MAR99	
DIMENSIONS: mm		APVD -	NAME 3 POSITIONS CONNECTOR FOR SPARK COIL
TOLERANCES UNLESS OTHERWISE SPECIFIED:		PRODUCT SPEC 108-20207	SIZE CAGE CODE DRAWING NO
0 PLC ±0.3	1 PLC ±0.2	APPLICATION SPEC 411-20059	A20779C-284425
2 PLC ±0.1	3 PLC ±	WEIGHT -	RESTRICTED TO
4 PLC ±	ANGLES ±1	CUSTOMER DRAWING	SCALE 2:1 SHEET 2 OF 2 REV D4

X-ON Electronics

Largest Supplier of Electrical and Electronic Components

Click to view similar products for [Automotive Connectors](#) category:

Click to view products by [TE Connectivity](#) manufacturer:

Other Similar products are found below :

[003-018-000](#) [60403001](#) [60993906-B](#) [M902-2131](#) [M902-2161](#) [M902-2344](#) [72.330.1035.1](#) [73.353.4028.0](#) [F119300-B](#) [F166900](#) [F258300-B](#)
[F358300-B](#) [F407400](#) [F444110](#) [F487000](#) [F509500B-B](#) [827153-1](#) [8N1515-32-24P](#) [9-1326729-8](#) [925474-1](#) [928905-1](#) [964562-4](#) [968782-1](#)
[GT17SA-8DS-HU](#) [98891-1012](#) [98947-1016](#) [12004147](#) [12004475-L](#) [12010290](#) [12010309-B](#) [12015454](#) [12020219-B](#) [12041318-B](#) [12052225-](#)
[L](#) [12052466](#) [12064869](#) [12004327-B](#) [12015308](#) [12015384](#) [12015909](#) [1-21030-1](#) [12041254](#) [12041318](#) [12047946-B](#) [12047957](#) [12047957-L](#)
[12059473](#) [12066261](#) [12110546](#) [12110546-B](#)