

PROPER USE GUIDELINES

Cumulative Trauma Disorders can result from the prolonged use of manually powered hand tools. Hand tools are intended for occasional use and low volume applications. A wide selection of powered application equipment for extended-use, production operations is available.

1. INTRODUCTION

This instruction Sheet describes the use of Extraction Tool 2844330-1. This tool is designed to simultaneously remove two MCON 1.2 CB contacts (1670144-X) or two MCON 1.2 TAB-CB contacts (1718350-X) from MCON 1.2 CB Plug Assembly (2292906-X) or MCON 1.2 CB Inline Cap Assembly (2292937-X).

Read these instructions thoroughly before attempting to remove any contacts.



NOTE

All dimensions are in millimeters [followed by inches in brackets]. Figures and illustrations are for reference only and are not drawn to scale.

2. DESCRIPTION

The tool features a small screwdriver handle marked with the tool part number and dual locking lance release tip. By inserting the tool into the plug or cap and rotating, simultaneous extraction of both terminated contacts can be achieved.

3. EXTRACTION PROCEDURE

3.1. Plug Assembly; PN 2292906-X

1. Unlock the secondary ISL lock using a small tip screwdriver.
Insert the screwdriver and pull the ISL down to the unlocked position.

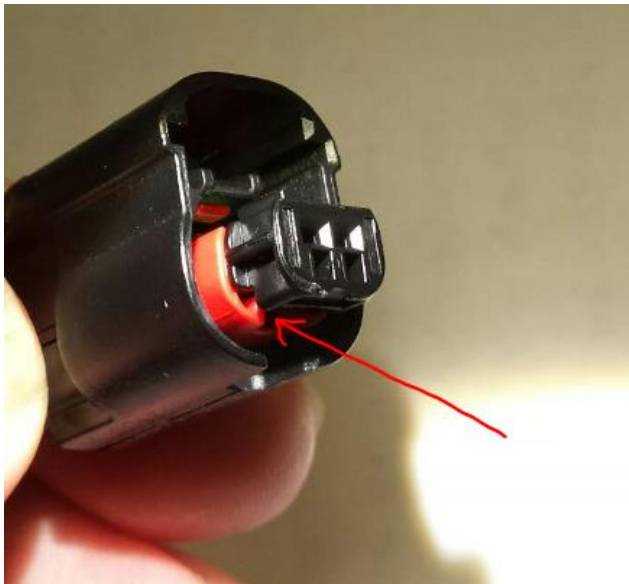


Figure 1



Figure 2

2. With the secondary lock in the open or lowered position, pull gently on the wires while pushing on the back of the housing and insert the tool in the lower cavities of the housing.



NOTE

Slide the tool into the cavity along the bottom edge to help guide it into the proper position.

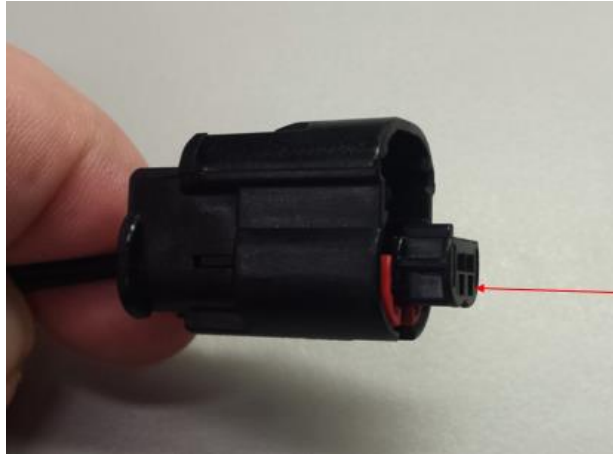


Figure 3

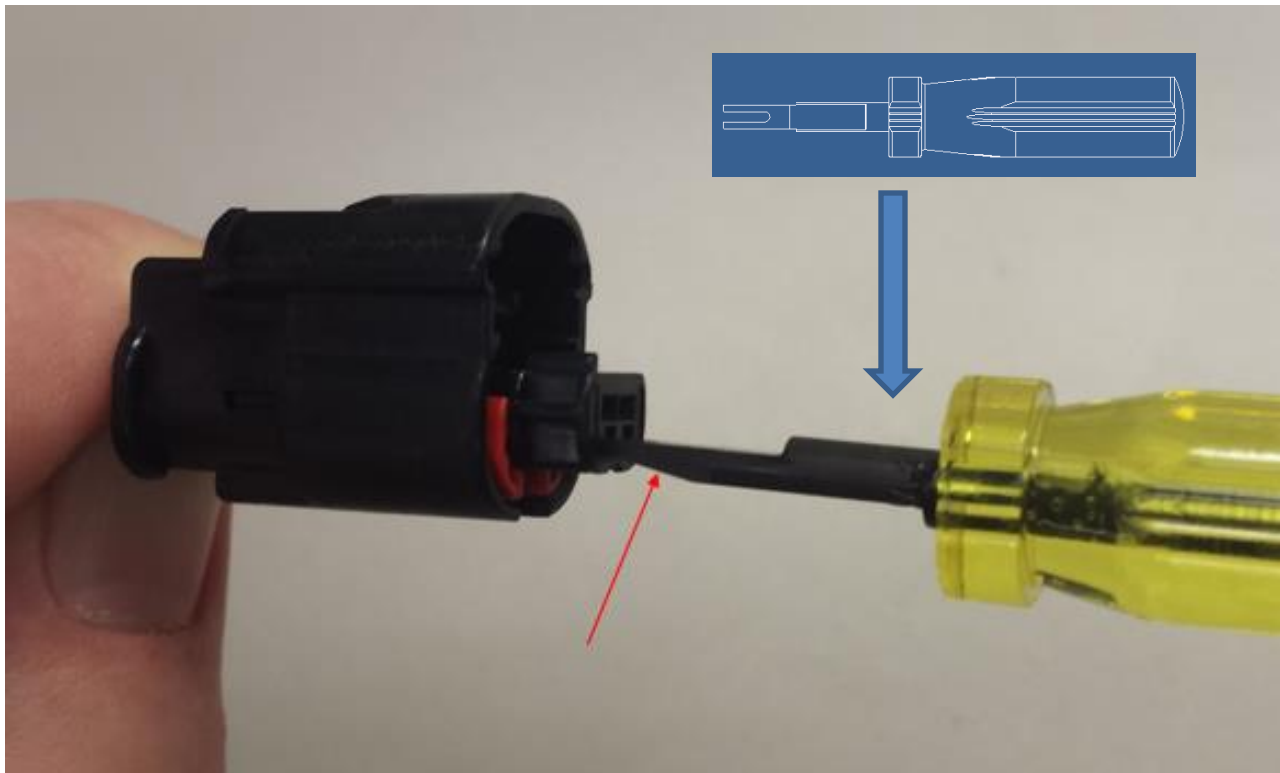


Figure 4

- a. Once the tool is in position, rotate handle in a clockwise direction.

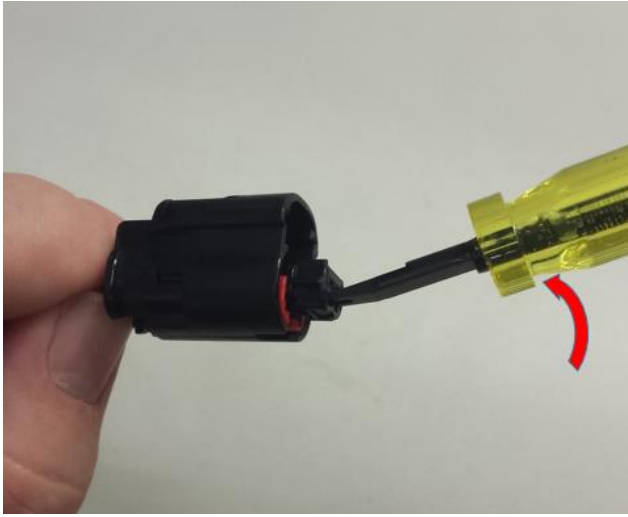


Figure 5

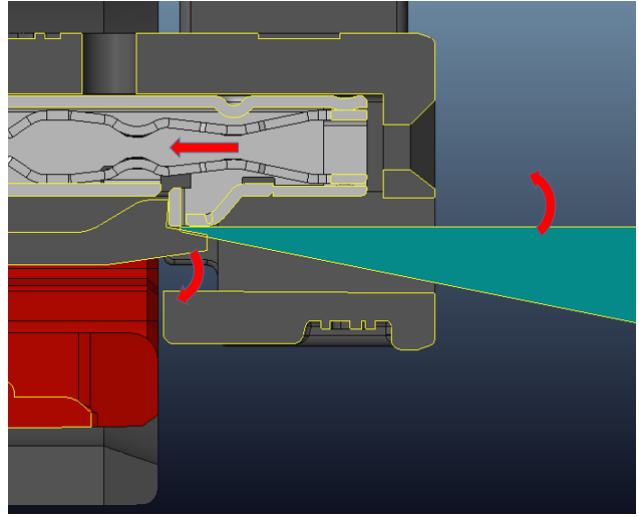


Figure 6

This will disengage the latches and release both terminals; allowing them to be pulled out.

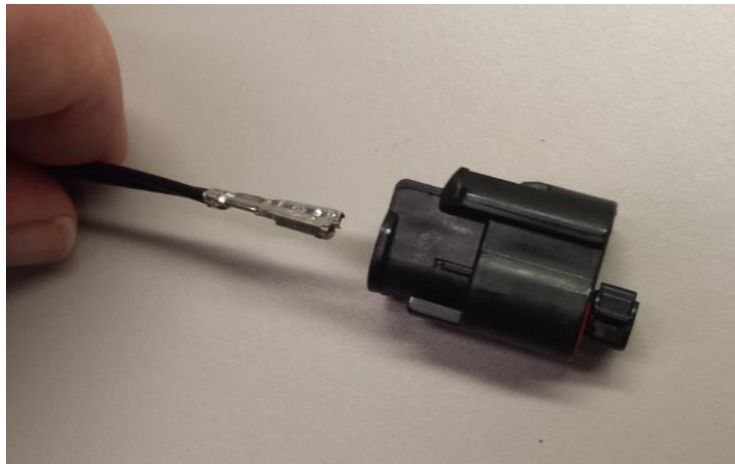


Figure 7

3.2. Inline Cap Assembly; PN 2292937-X

1. Remove the PLR piece from the housing with the appropriate hook tool.

i **NOTE**
Cutaway views shown for clarity.

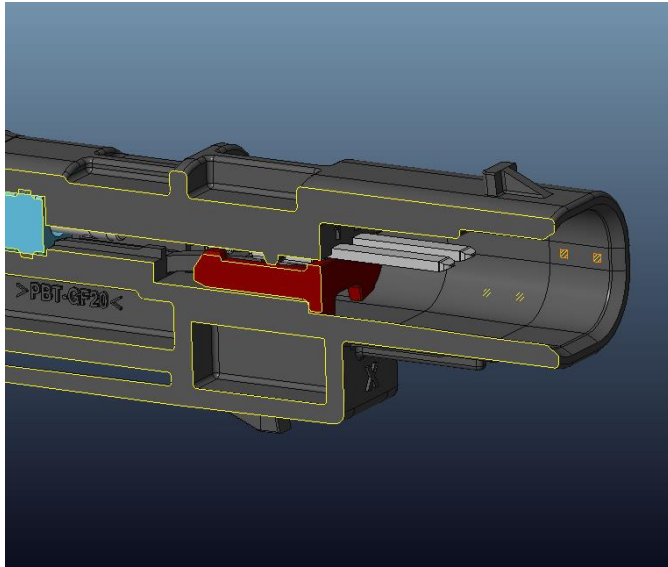


Figure 8

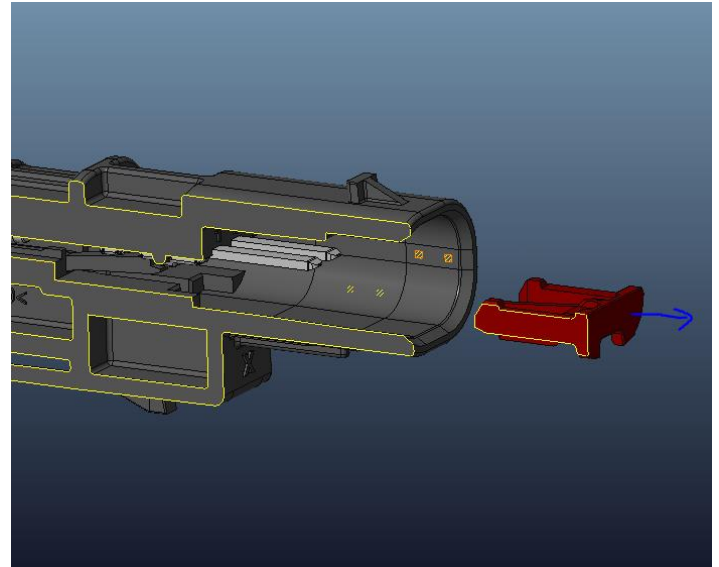


Figure 9

2. With the PLR piece removed from the housing, pull gently on the wires while pushing on the back of the housing and insert the tool into the cavity of the housing.

i **NOTE**
Slide the tool into the cavity along the bottom edge to help guide it into the proper position.

i **NOTE**
For these assemblies, it is important to center the tool in the housing. The two ridges on the bottom side of the connector can help center the tool (reference Figure 10).

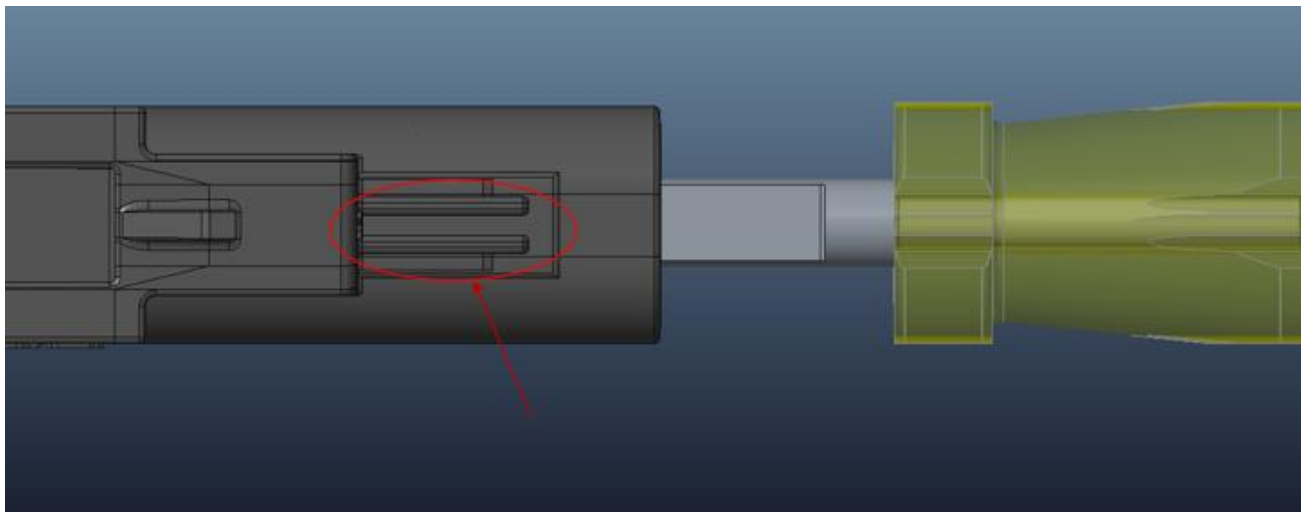


Figure 10

- a. Experienced users of this tool can go by 'feel' to indicate when the tool is inserted to the right depth. However, a step on the tip of the tool will also act as a stop to indicate insertion to the proper depth to release the latches.

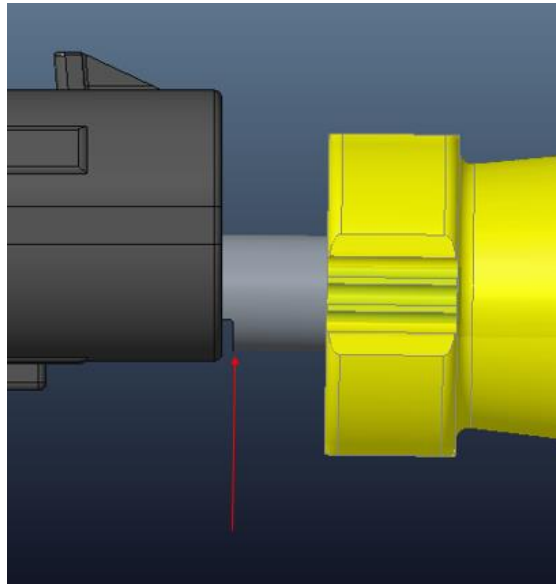


Figure 11



NOTE

At this point the tip of the tool will be in-between the contacts and the retaining latch (reference Figure 12).

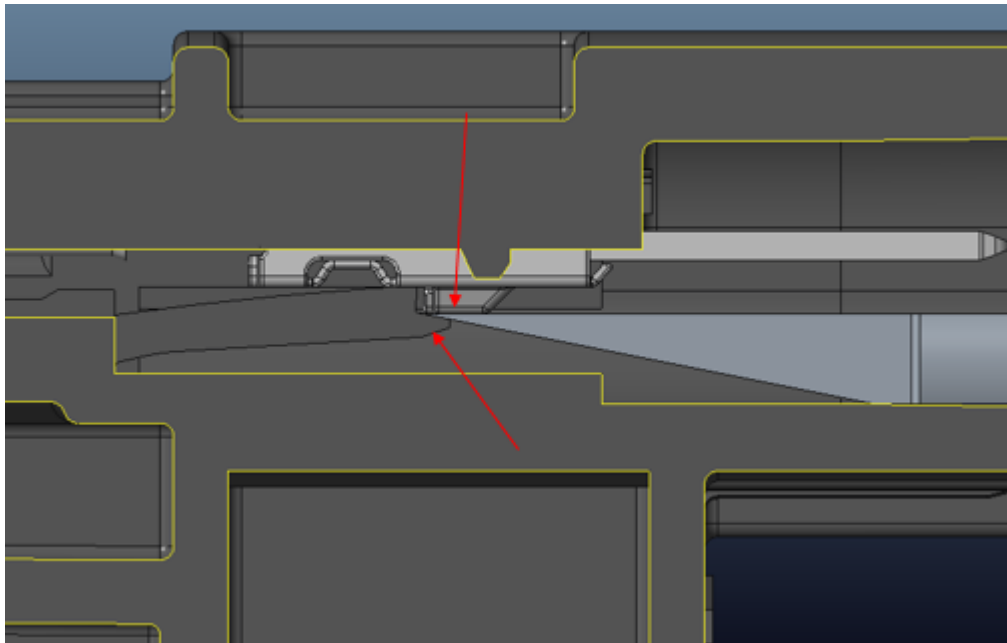


Figure 12

3. Once the tool is in position, rotate handle in a clockwise direction.



Figure 13

- a. Rotation of the tool moves the retaining latch out of the way (reference Figure 14).
This allows both terminals to be removed from the housing with a gentle pulling motion.

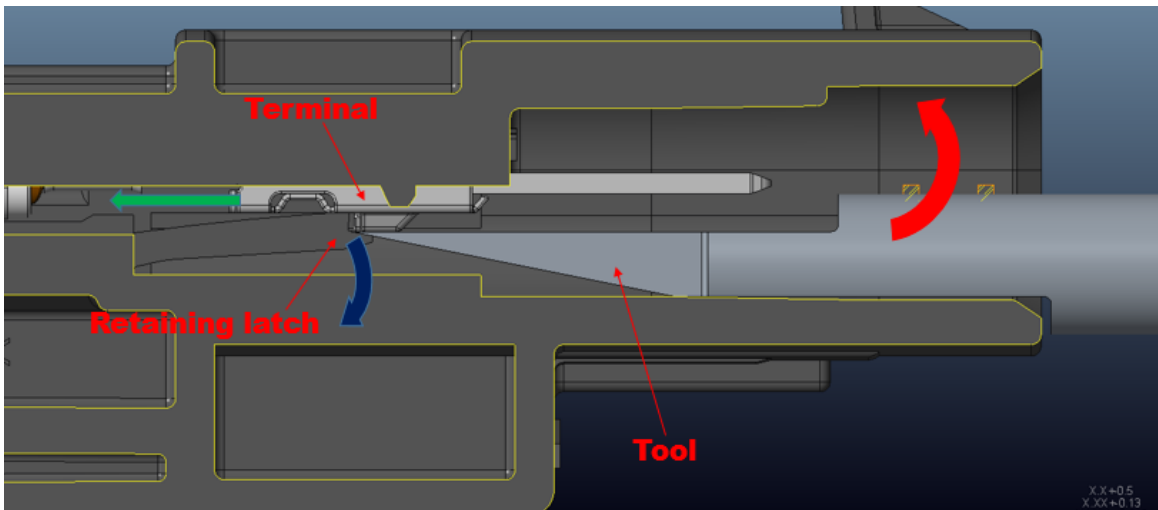


Figure 14

4. TOOL INSPECTION /MAINTENANCE

It is recommended to inspect each tool upon arrival (to verify it has not been damaged in transit), and, at regularly scheduled intervals (to verify it remains functional).

Extraction Tool 2844330-1

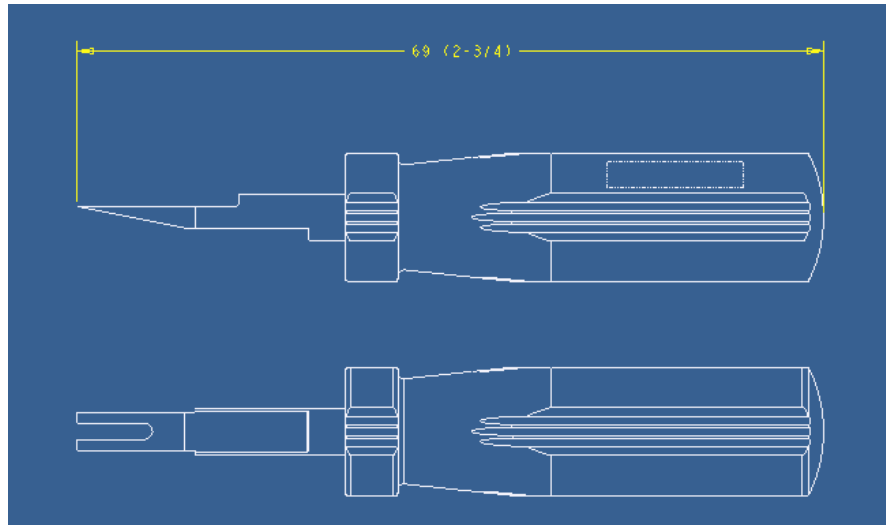


Figure 15

5. REVISION SUMMARY

Initial release of document

X-ON Electronics

Largest Supplier of Electrical and Electronic Components

Click to view similar products for [Extraction, Removal & Insertion Tools](#) category:

Click to view products by [TE Connectivity](#) manufacturer:

Other Similar products are found below :

[M8196914-08](#) [768211-2](#) [809-131](#) [844751-2](#) [8-59558-2](#) [91018-1](#) [12014013](#) [12093647](#) [1-21048-0](#) [R282867020](#) [12093078](#) [1-21048-6](#)
[12121897](#) [DCF.91.405.5LT](#) [1322](#) [15314260](#) [15313892](#) [15350698](#) [15350707](#) [15430130](#) [1579018-4](#) [1643916-1](#) [1-679532-0](#) [1976593-3](#)
[OUTEXT-0321](#) [2-1579008-3](#) [2-1579008-4](#) [229694-7](#) [231106-1](#) [241469](#) [91040-3](#) [91040-7](#) [965004-000](#) [965069-000](#) [1738219-1](#) [ET-JL05-16](#)
[FG 0300 146 3000](#) [FIT-6](#) [210S048](#) [2-1579007-9](#) [231879-1](#) [312138-3](#) [RJ11FODE](#) [356-162](#) [M8196914-10](#) [4-1579018-0](#) [430395-001](#) [483249-](#)
[1](#) [5-1579007-2](#) [5-1579007-9](#)