

THIS DRAWING IS UNPUBLISHED.

RELEASED FOR PUBLICATION

20

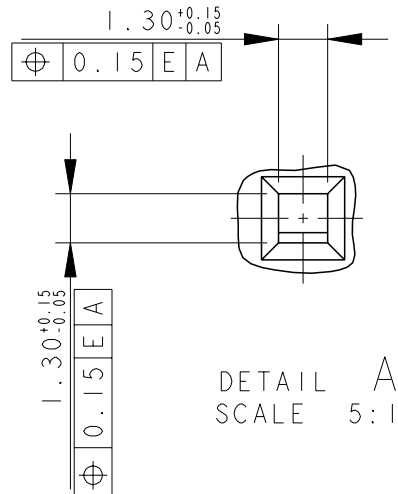
© COPYRIGHT 20 BY -

ALL RIGHTS RESERVED.

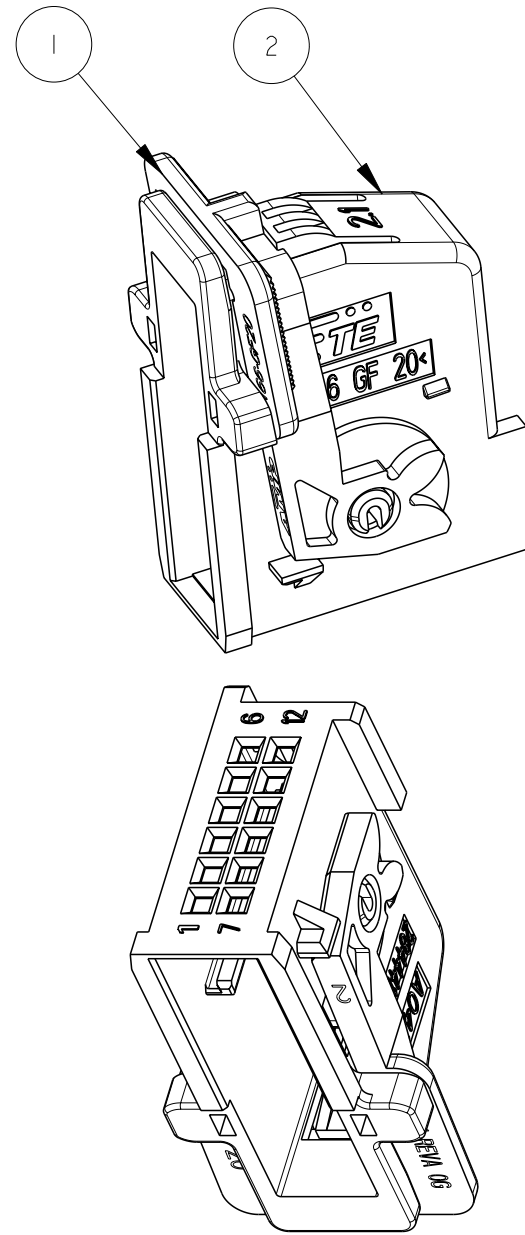
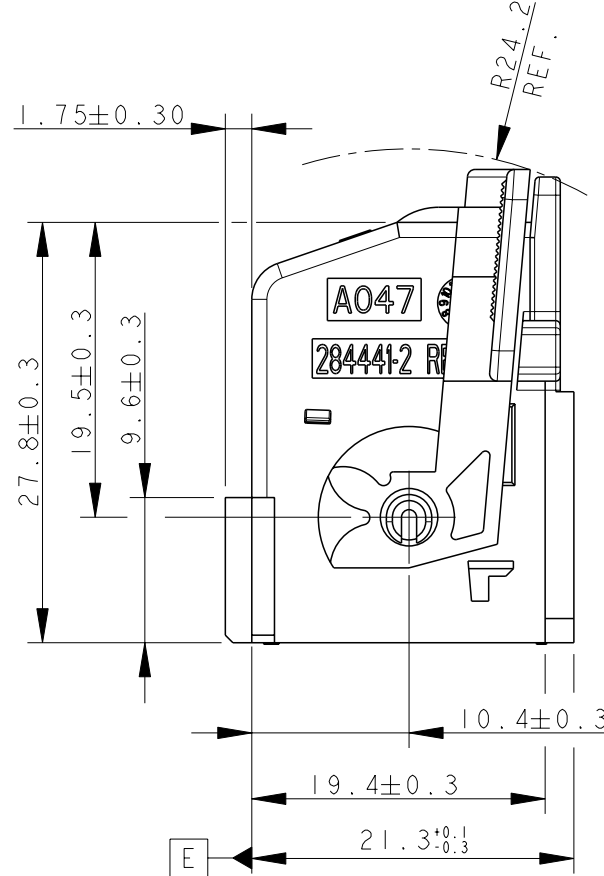
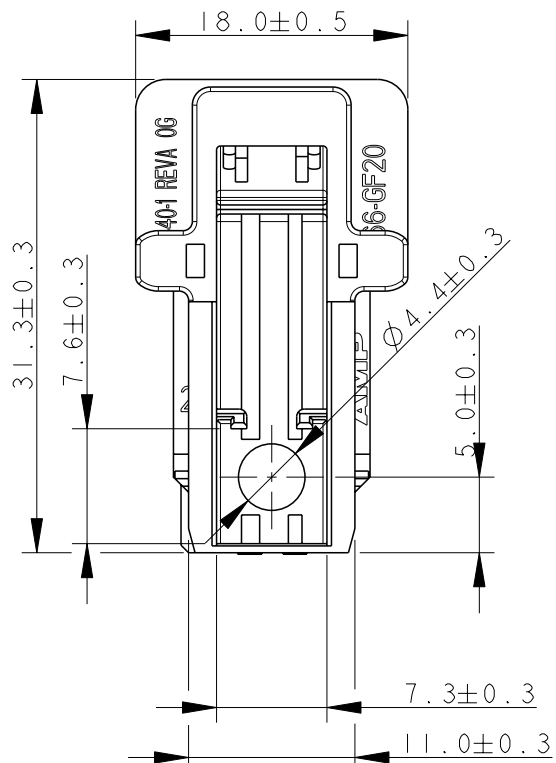
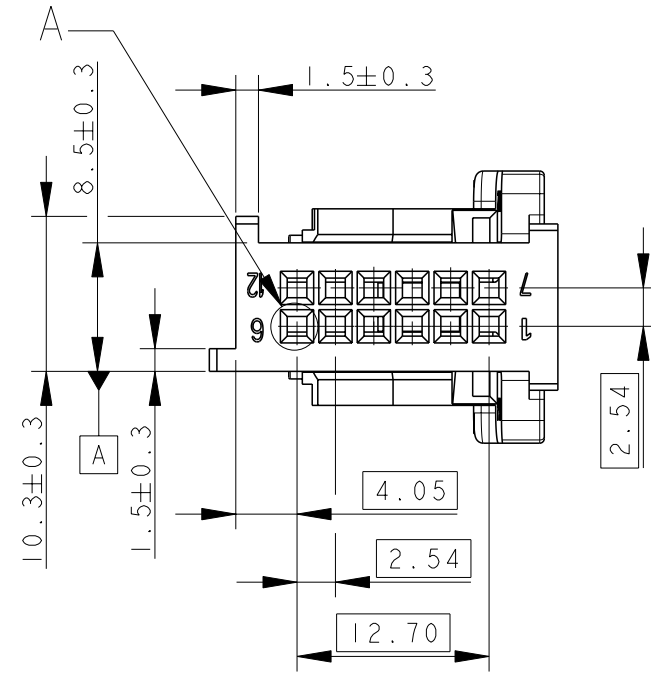
REVISIONS

P	LTR	DESCRIPTION	DATE	DWN	APVD
A2		ADDED P/NS ON SHEET 3 (ECR-14-017917)	01DEC14	F. A.	A. P.
A3		284443-7 RELEASED FOR PRODUCTION ECR-15-008125	28MAY2015	A. B.	A. P.
A4		COLOR NOTE OF -8 UPDATE (ECR-15-9118)	16JUN2015	A. B.	A. P.
A5		ECO-16-002376	19FEB2016	M. G.	M. G.

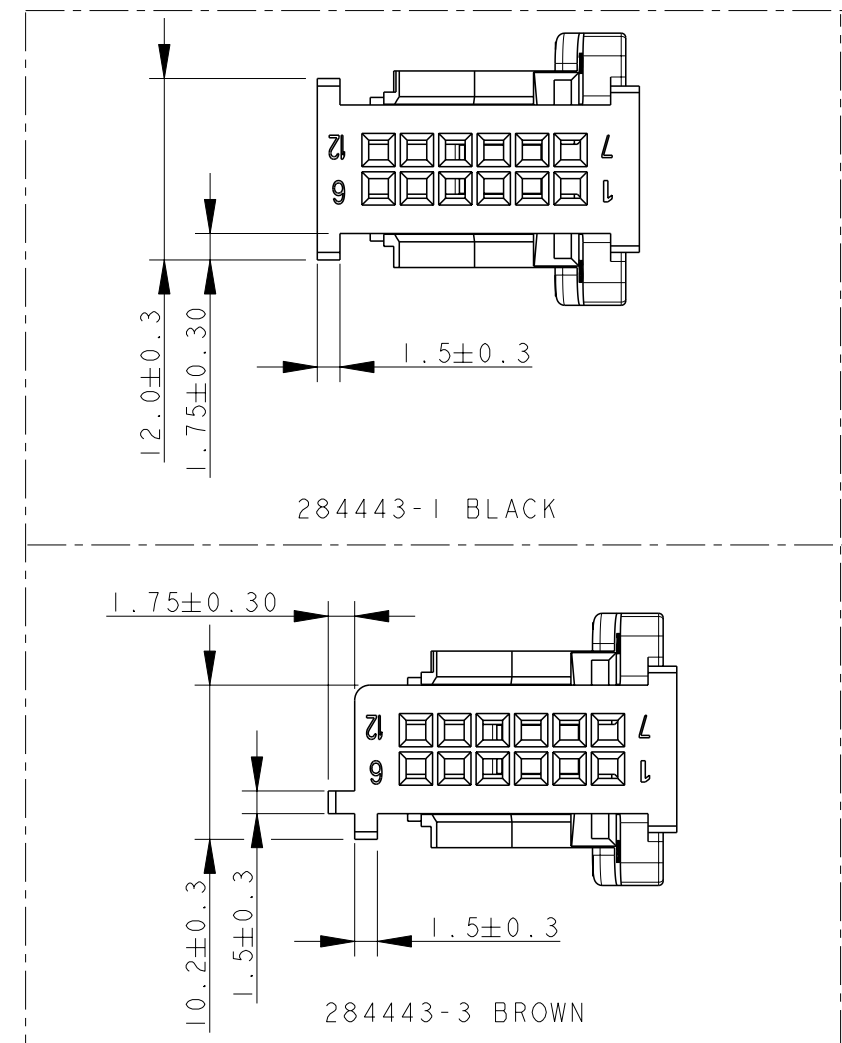
SEE DETAIL A



DETAIL A  
SCALE 5:1



284443-2 BLUE, AS SHOWN



BROWN	BLACK	A	284443-3
BLUE	BLACK	A	284443-2
BLACK	BLACK	A	284443-1
ITEM (2) COVER COLOUR	ITEM (1) LEVER COLOUR	ASSY REV	ASSY P/N

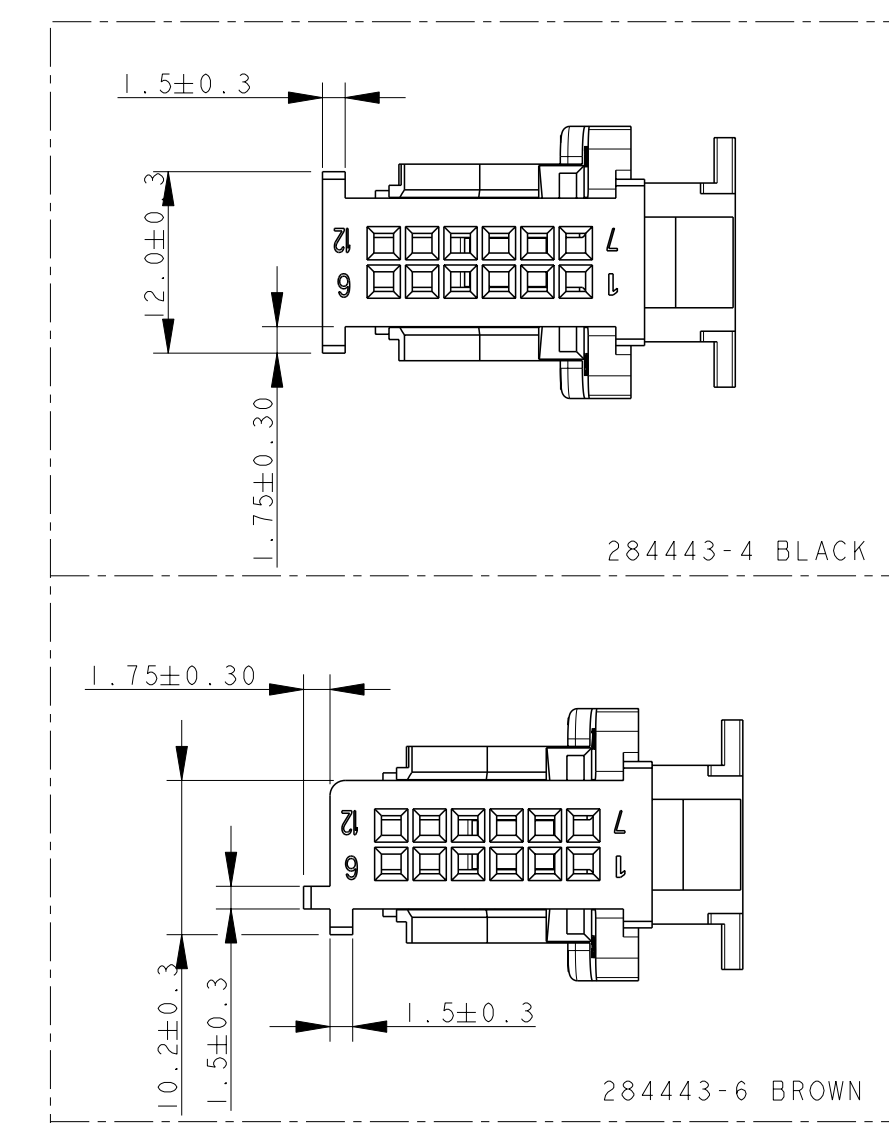
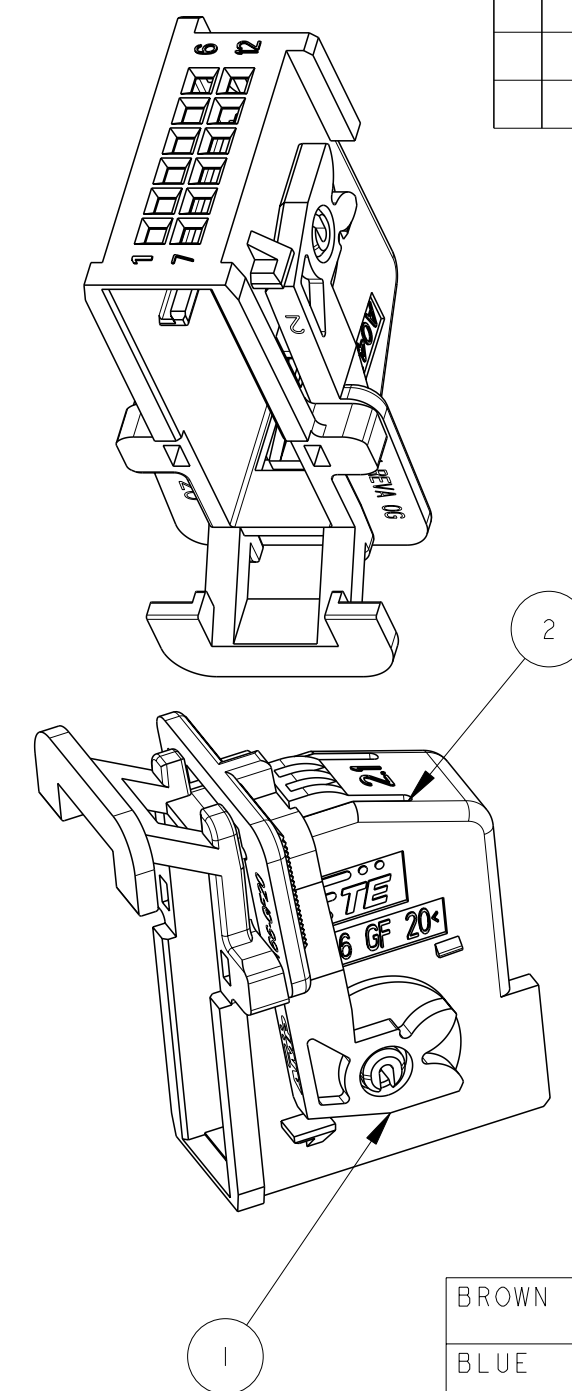
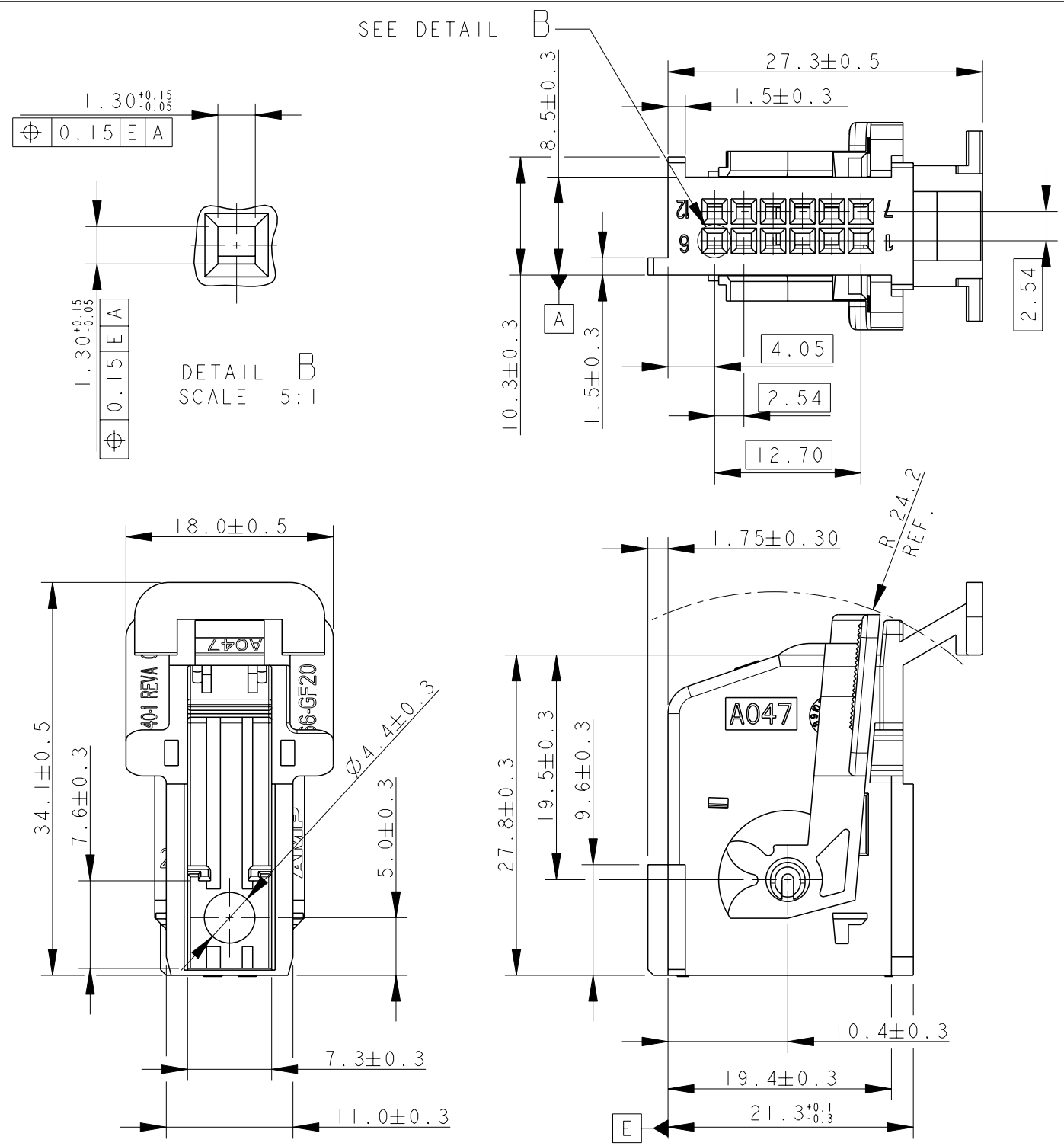
- 1) MATERIAL: PA 6.6 G.F. FILLED
- 2) COVER PLUS LEVER SUITABLE FOR PLUG HOUSING P/N 284442-1
- 3) FOR COUNTERPART DETAILS SEE 208-15544

THIS DRAWING IS A CONTROLLED DOCUMENT.		DWN M. PALMA 17SEPT'99		<b>TE Connectivity</b>	
DIMENSIONS: mm		CHK R. MARTINI 17SEPT'99			
TOLERANCES UNLESS OTHERWISE SPECIFIED:		APVD A. GENTA 17SEPT'99			
0 PLC ±0.3 1 PLC ±0.3 2 PLC ±. 3 PLC ±. 4 PLC ±. ANGLES ±2 FINISH -		PRODUCT SPEC 108-20222 APPLICATION SPEC 411-15565 WEIGHT 3.3 g			
MATERIAL NOTE 1)		Customer Drawing		NAME COVER + LEVER FOR 12 POSITION MICRO QUADLOK SYSTEM PLUG HOUSING SIZE A3 CAGE CODE - DRAWING NO C-284443 RESTRICTED TO - SCALE 2:1 SHEET 1 OF 3 REV A5	

THIS DRAWING IS UNPUBLISHED. RELEASED FOR PUBLICATION 20  
COPYRIGHT 20 BY - ALL RIGHTS RESERVED.

REVISIONS

P	LTR	DESCRIPTION	DATE	DWN	APVD
-	-	SEE SHEET 1	-	-	-



284443-5 BLUE, AS SHOWN

- 1) MATERIAL: PA 6.6 G.F. FILLED
- 2) COVER PLUS LEVER SUITABLE FOR PLUG HOUSING P/N 284442-1
- 3) SAME AS -1, -2, -3, BUT PROVIDED WITH CABLE TIE SEAT
- 4) FOR COUNTERPART DETAILS SEE 208-15544

BROWN	BLACK	SEE NOTE 3)	A	284443-6
BLUE	BLACK	SEE NOTE 3)	A	284443-5
BLACK	BLACK	SEE NOTE 3)	A	284443-4
ITEM (2) COVER COLOUR	ITEM (1) LEVER COLOUR	NOTES	ASSY REV.	ASSY P/N

THIS DRAWING IS A CONTROLLED DOCUMENT.

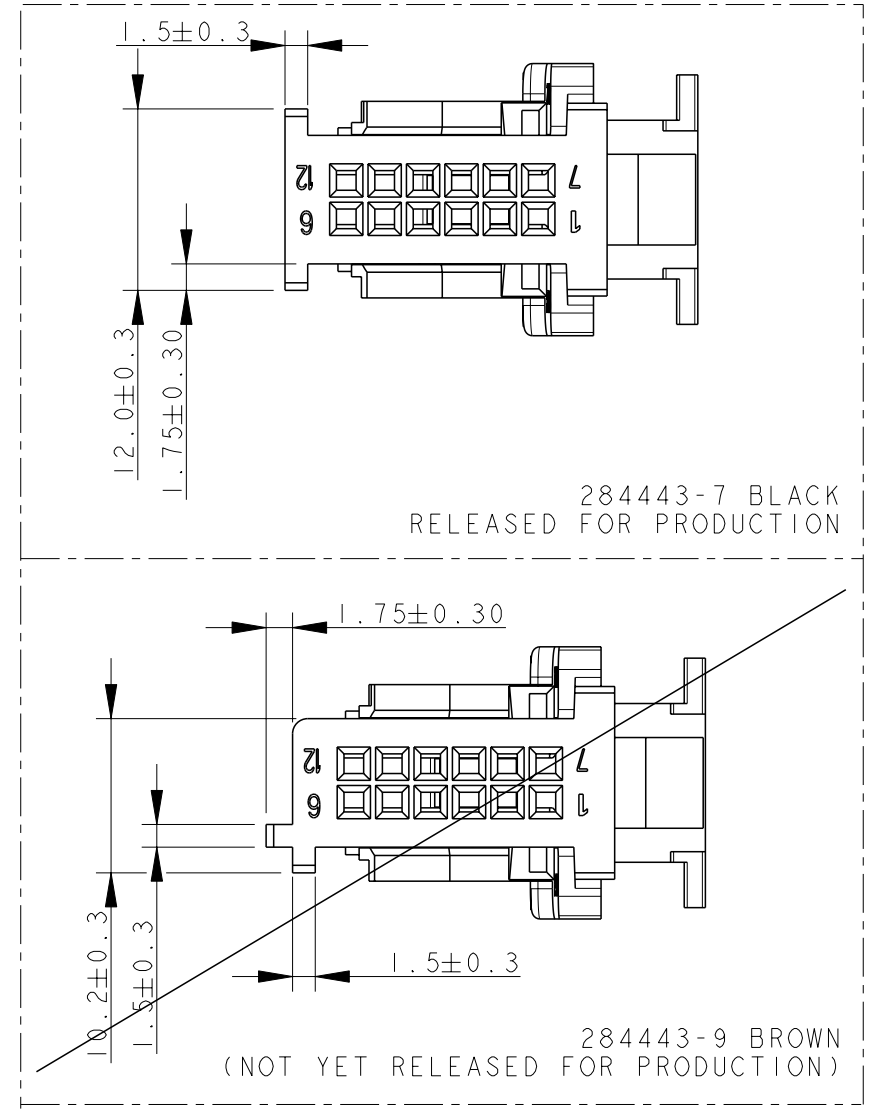
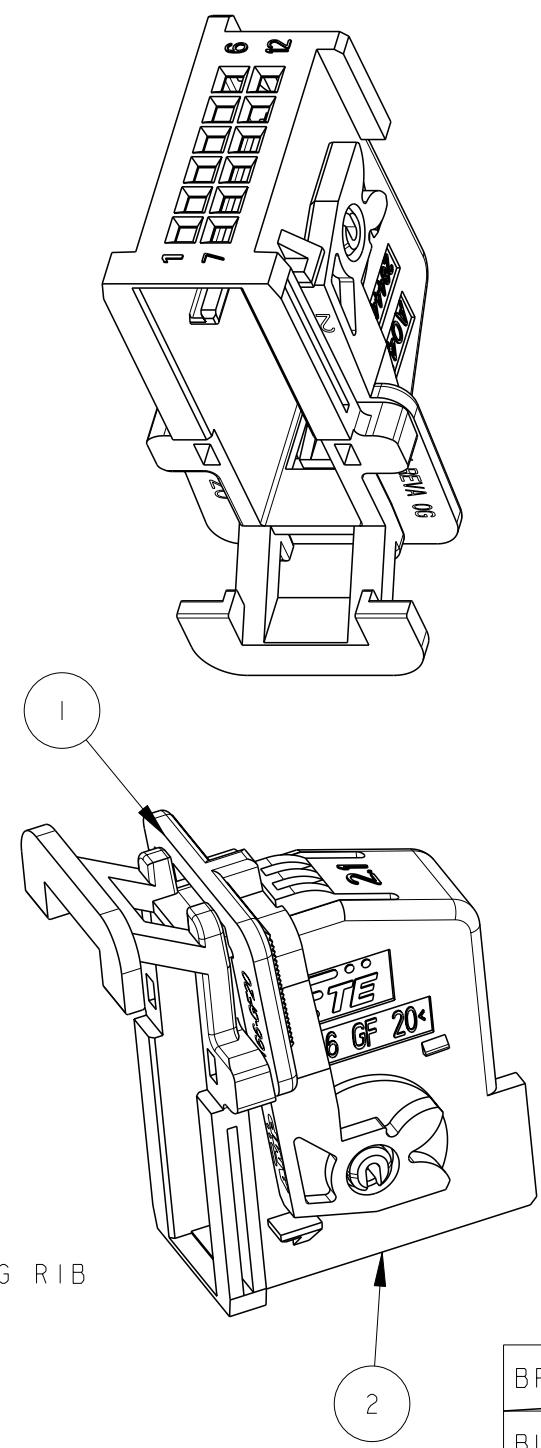
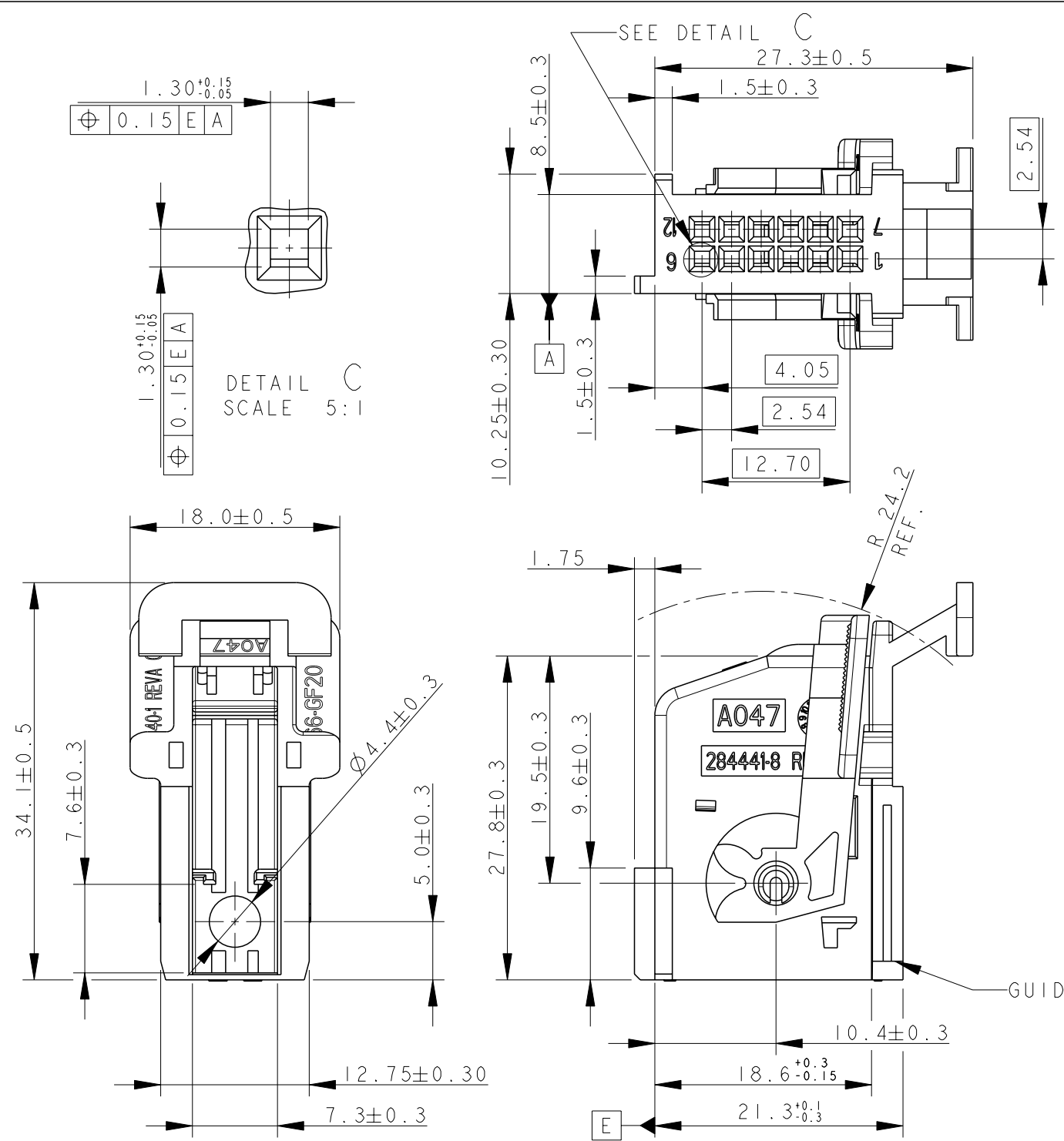
DIMENSIONS:	TOLERANCES UNLESS OTHERWISE SPECIFIED:
mm	
	0 PLC ±0.3
	1 PLC ±0.3
	2 PLC ±
	3 PLC ±
	4 PLC ±
	ANGLES ±2
MATERIAL	FINISH
NOTE 1)	-
-	-

DWN	M. PALMA	17SEPT'99
CHK	R. MARTINI	17SEPT'99
APVD	A. GENTA	17SEPT'99
PRODUCT SPEC	108-20222	
APPLICATION SPEC	411-15565	
WEIGHT	3.3 g	
Customer Drawing		

 TE Connectivity		NAME		
		COVER + LEVER FOR 12 POSITION MICRO QUADLOK SYSTEM PLUG HOUSING		
SIZE	CAGE CODE	DRAWING NO	RESTRICTED TO	
A3	-	284443	-	
SCALE		SHEET	OF	REV
2:1		2	3	A5

THIS DRAWING IS UNPUBLISHED. RELEASED FOR PUBLICATION 20  
 © COPYRIGHT 20 BY - ALL RIGHTS RESERVED.

P	LTR	DESCRIPTION	DATE	DWN	APVD
-	-	SEE SHEET 1	-	-	-



284443-8 BLU, AS SHOWN  
 (NOT YET RELEASED FOR PRODUCTION)

- 1) MATERIAL: PA 6.6 G.F. FILLED
- 2) COVER PLUS LEVER SUITABLE FOR PLUG HOUSING P/N 284442-1
- 3) SHELL PROVIDED WITH CABLE TIE SEAT AND GUIDING RIB WIDTH INCREASED
- 4) FOR COUNTERPART DETAILS SEE 208-15544

BROWN	BLUE	SEE NOTE 3)	A	284443-9
BLUE	BLUE	SEE NOTE 3)	A	284443-8
BLACK	BLUE	SEE NOTE 3)	A	284443-7
ITEM (2) COVER COLOUR	ITEM (1) LEVER COLOUR	NOTES	ASSY REV.	ASSY P/N

THIS DRAWING IS A CONTROLLED DOCUMENT.		DWN M. PALMA 17SEPT'99			
DIMENSIONS: mm		CHK R. MARTINI 17SEPT'99			
TOLERANCES UNLESS OTHERWISE SPECIFIED:		APVD A. GENTA 17SEPT'99			
0 PLC ±0.3 1 PLC ±0.3 2 PLC ±. 3 PLC ±. 4 PLC ±. ANGLES ±2 FINISH -		PRODUCT SPEC 108-20222 APPLICATION SPEC 411-15565 WEIGHT 3.3 g			
MATERIAL NOTE 1)		Customer Drawing		NAME COVER + LEVER FOR 12 POSITION MICRO QUADLOK SYSTEM PLUG HOUSING SIZE A3 CAGE CODE - DRAWING NO C-284443 RESTRICTED TO - SCALE 2:1 SHEET 3 OF 3 REV A5	

## X-ON Electronics

Largest Supplier of Electrical and Electronic Components

*Click to view similar products for [Automotive Connectors](#) category:*

*Click to view products by [TE Connectivity](#) manufacturer:*

Other Similar products are found below :

[003-018-000](#) [60403001](#) [60993906-B](#) [M902-2131](#) [M902-2161](#) [72.330.1035.1](#) [73.353.4028.0](#) [F119300-B](#) [F166900](#) [F258300-B](#) [F358300-B](#)  
[F407400](#) [F444110](#) [F487000](#) [F509500B-B](#) [827153-1](#) [8N1515-32-24P](#) [9-1326729-8](#) [925474-1](#) [928905-1](#) [964562-4](#) [968782-1](#) [GT17SA-8DS-](#)  
[HU](#) [98891-1012](#) [98947-1016](#) [12004147](#) [12004475-L](#) [12010290](#) [12010309-B](#) [12015454](#) [12020219-B](#) [12020308](#) [12041318-B](#) [12052225-L](#)  
[12052466](#) [12059125](#) [12064869](#) [12004327-B](#) [12010503-B](#) [12015308](#) [12015384](#) [12015909](#) [1-21030-1](#) [12041254](#) [12041318](#) [12047946-B](#)  
[12047957](#) [12047957-L](#) [12059473](#) [12066261](#)