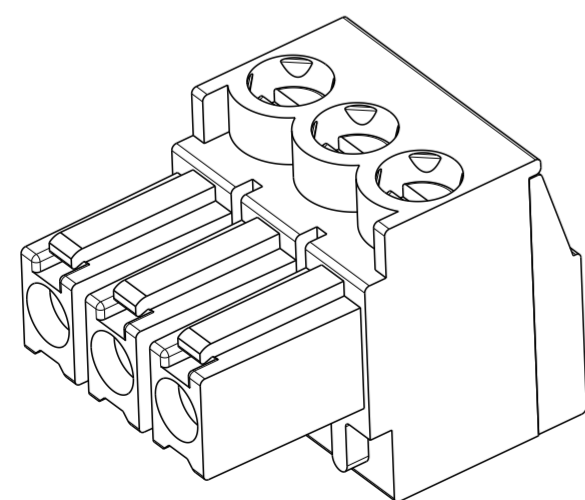
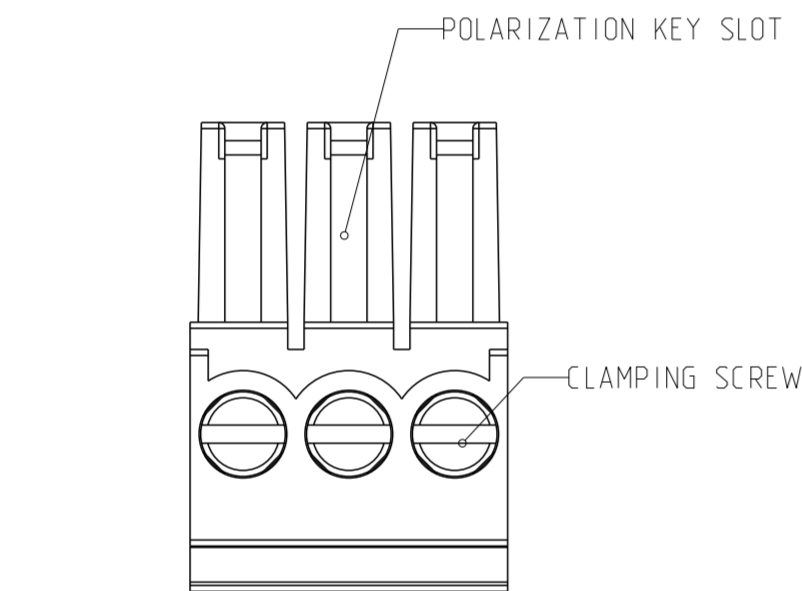
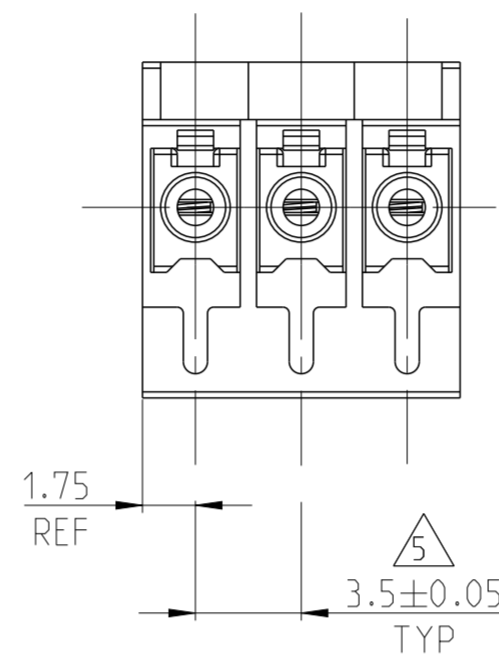
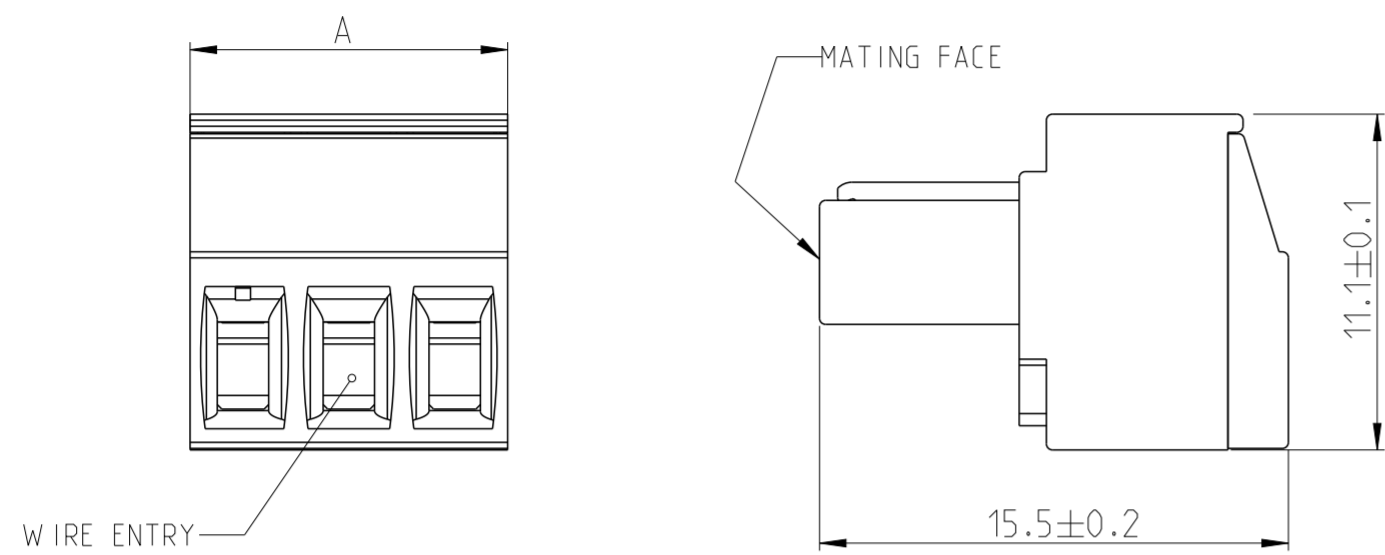
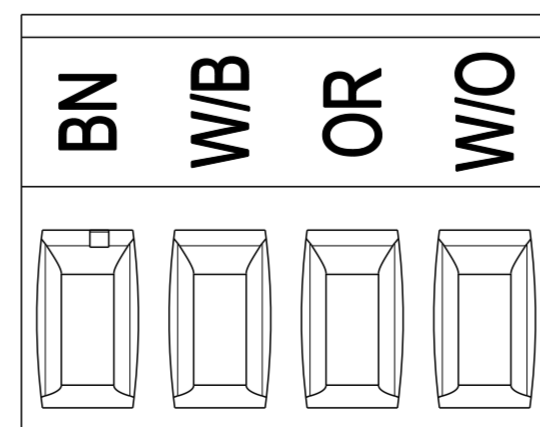


| P | LTR | DESCRIPTION | DATE | DWN | APVD |
|----|-----|---------------------------|-----------|-----|------|
| C4 | | REVISED PER ECO-11-005009 | 12MAR2011 | HMR | CR |
| C5 | | NEW P/N 3-284506-1 ADDED | 04NOV2016 | FP | NG |
| C6 | | PART OBSOLETE | 31AUG2020 | DV | PS |



P/N 284506-3 AS SHOWN



3-284056-1

- 1. MATERIALS AND FINISH
 HOUSING : PA 6.6, UL 94-V0, COLOR GREEN
 CLAMP : BRASS, NICKEL PLATED.
 TERMINAL : BRASS, PLATING: SEE TABLE.
 CONTACT SPRING : PHOSPHOR BRONZE, TIN PLATED
 CLAMPING SCREW : M2, BRASS, NICKEL PLATED
- 2. MECHANICAL
 RECOMMENDED/ HIGHEST TIGHTENING TORQUE : 0.25/0.25 Nm
 WIRE STRIPPING LENGTH : 5 - 6 mm
- 3. ELECTRICAL
 WIRE RANGE : 30 - 14 AWG
 MAX. VOLTAGE : 300 V
 MAX CURRENT : 11 A
 CONTACT RESISTANCE : < 15 m Ohm
 INSULATION RESISTANCE : > 1000 M Ohm (500V DC)
- 4. OPERATING TEMPERATURE RANGE: -40°C TO +110 °C
- 5. TOLERANCE NOT CUMULATIVE.
- 6. PRELIMINARY - NOT FOR PRODUCTION.
- 7. WITH SPECIAL CODING LOCATED IN POSITIONS 1 AND 3.
 MATES WITH 3-284512-8.
- 8. WITH SPECIAL CODING LOCATED IN POSITION 2.
 MATES WITH 3-284512-9.
- 9. SPECIAL MARKING. REFER THE DRAWING.

| 9 | 6 | Material | Thickness | Length | Part Number |
|---|---|------------------|-----------|------------|-----------------------|
| | | TIN | 14.0 | 4 | 3-284506-1 |
| 6 | 8 | TIN | 10.5 | 3 | 3-284506-0 |
| 6 | 7 | TIN | 10.5 | 3 | 2-284506-9 |
| 6 | 6 | 0.8 MICRON GOLD | 10.5 | 3 | 2-284506-8 |
| 6 | 6 | GOLD FLASH | 24.5 | 7 | 2-284506-7 |
| 6 | 6 | 0.2 MICRON GOLD | 42.0 | 12 | 2-284506-6 |
| | | TIN | 87.5 | 25 | 2-284506-5 |
| | | TIN | 84.0 | 24 | 2-284506-4 |
| | | TIN | 80.5 | 23 | 2-284506-3 |
| | | TIN | 77.0 | 22 | 2-284506-2 |
| | | TIN | 73.5 | 21 | 2-284506-1 |
| | | TIN | 70.0 | 20 | 2-284506-0 |
| | | TIN | 66.5 | 19 | 1-284506-9 |
| | | TIN | 63.0 | 18 | 1-284506-8 |
| | | TIN | 59.5 | 17 | 1-284506-7 |
| | | TIN | 56.0 | 16 | 1-284506-6 |
| | | TIN | 52.5 | 15 | 1-284506-5 |
| | | TIN | 49.0 | 14 | 1-284506-4 |
| | | TIN | 45.5 | 13 | 1-284506-3 |
| | | TIN | 42.0 | 12 | 1-284506-2 |
| | | TIN | 38.5 | 11 | 1-284506-1 |
| | | TIN | 35.0 | 10 | 1-284506-0 |
| | | TIN | 31.5 | 9 | 284506-9 |
| | | TIN | 28.0 | 8 | 284506-8 |
| | | TIN | 24.5 | 7 | 284506-7 |
| | | TIN | 21.0 | 6 | 284506-6 |
| | | TIN | 17.5 | 5 | 284506-5 |
| | | TIN | 14.0 | 4 | 284506-4 |
| | | TIN | 10.5 | 3 | 284506-3 |
| | | TIN | 7.0 | 2 | 284506-2 |
| | | TERMINAL PLATING | A | NO OF POSN | PART NUMBER |

THIS DRAWING IS A CONTROLLED DOCUMENT.

| | | | |
|-------------------|--|---|---|
| DIMENSIONS: mm | TOLERANCES UNLESS OTHERWISE SPECIFIED: 0 PLC ± 1 PLC ±0.3 2 PLC ±0.25 3 PLC ± 4 PLC ± ANGLES ±2° FINISH | DWN E. ZANDLIN 05FEB2002 CHK E. ZANDLIN 05FEB2002 APVD D. BIEVENOUR 05FEB2002 | TE Connectivity |
| MATERIAL | 1 | PRODUCT SPEC 108-20166 APPLICATION SPEC 114-20079 WEIGHT - | NAME TERMINAL BLOCK PLUG STACKING 3.5mm PITCH |
| CUSTOMER DRAWING | SCALE 5:1 | SHEET 1 OF 1 | RESTRICTED TO REV C6 |

X-ON Electronics

Largest Supplier of Electrical and Electronic Components

Click to view similar products for [Pluggable Terminal Blocks](#) category:

Click to view products by [TE Connectivity](#) manufacturer:

Other Similar products are found below :

[57.510.0053](#) [MC 1.5/ 6-ST-3.5 GY AU](#) [734-104](#) [734-302](#) [8-141-P](#) [8426620000](#) [860505](#) [860516](#) [860810](#) [GBPACX-12](#) [93.731.4953.0](#) [PV05-5,08-K](#) [PVP02-5,00](#) [PVP03-3,50](#) [PVP04-3,50](#) [PVS02-5,00](#) [1-1986160-3](#) [1377680000](#) [1531000000](#) [1546228-5](#) [ELFH16150](#) [ELFP03110](#) [ELFP10210](#) [ELFT06250](#) [ELVP03100](#) [1700101](#) [1700410](#) [1700425](#) [1702246](#) [1705229](#) [1710175](#) [1714537](#) [1717806](#) [1719600](#) [1728941](#) [1734692](#) [1734795](#) [1736036](#) [1740194](#) [1740291](#) [1740628](#) [1740990](#) [1746952](#) [1750207](#) [1752441](#) [1752865](#) [1754115](#) [1754144](#) [1756913](#) [1760051](#)