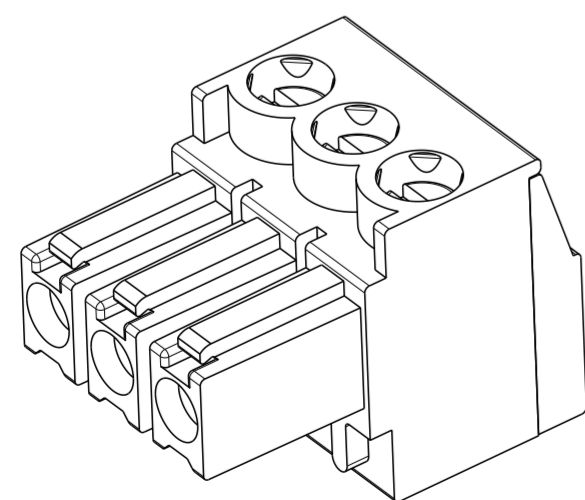
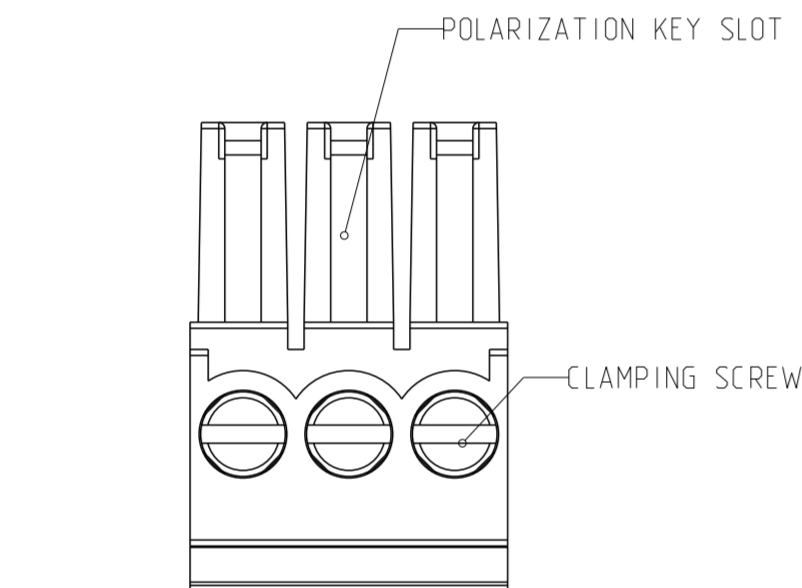
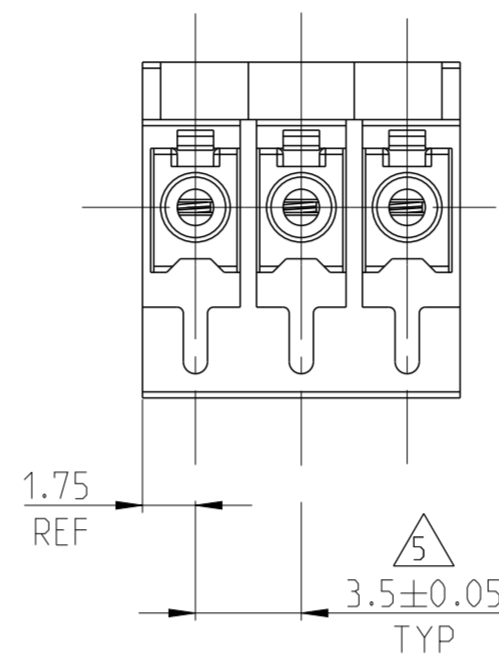
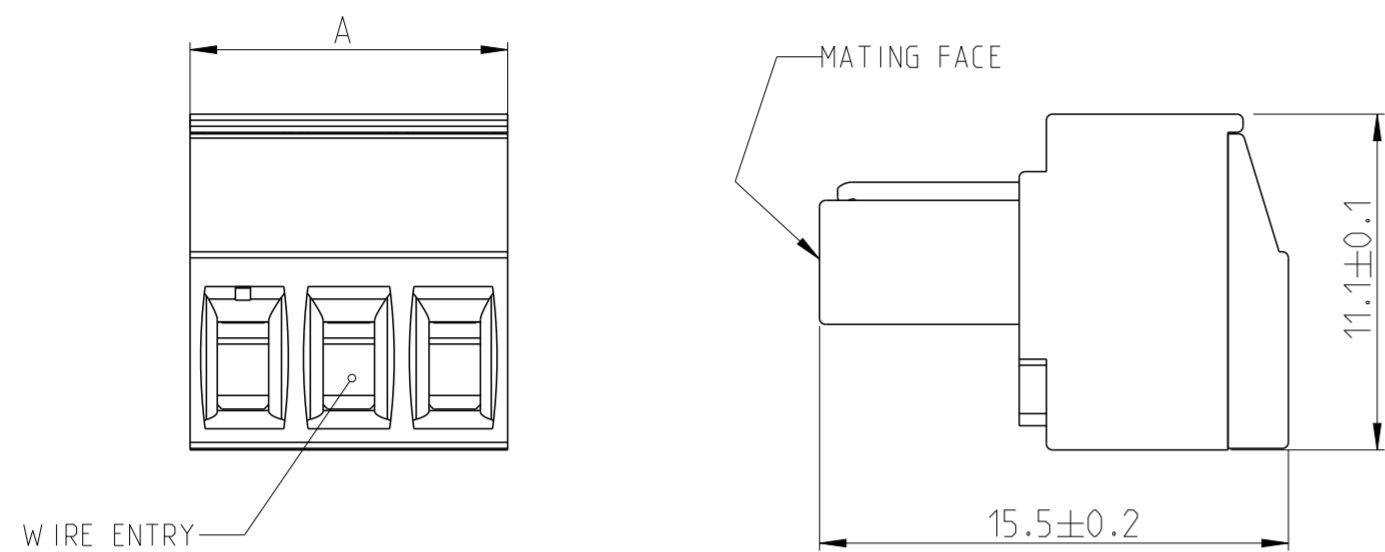
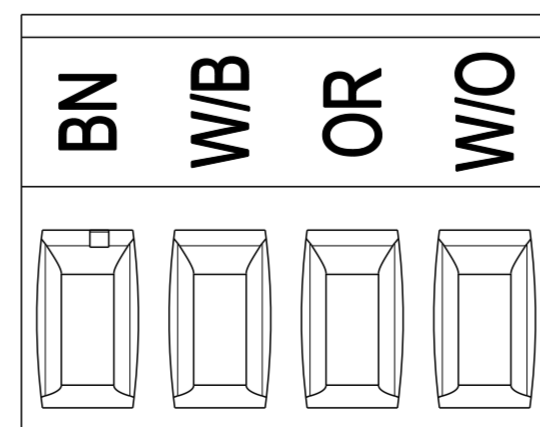


P	LTR	DESCRIPTION	DATE	DWN	APVD
C4		REVISED PER ECO-11-005009	12MAR2011	HMR	CR
C5		NEW P/N 3-284506-1 ADDED	04NOV2016	FP	NG
C6		PART OBSOLETE	31AUG2020	DV	PS



P/N 284506-3 AS SHOWN



3-284056-1

- 1. MATERIALS AND FINISH  
 HOUSING : PA 6.6, UL 94-V0, COLOR GREEN  
 CLAMP : BRASS, NICKEL PLATED.  
 TERMINAL : BRASS, PLATING: SEE TABLE.  
 CONTACT SPRING : PHOSPHOR BRONZE, TIN PLATED  
 CLAMPING SCREW : M2, BRASS, NICKEL PLATED
- 2. MECHANICAL  
 RECOMMENDED/ HIGHEST TIGHTENING TORQUE : 0.25/0.25 Nm  
 WIRE STRIPPING LENGTH : 5 - 6 mm
- 3. ELECTRICAL  
 WIRE RANGE : 30 - 14 AWG  
 MAX. VOLTAGE : 300 V  
 MAX CURRENT : 11 A  
 CONTACT RESISTANCE : < 15 m Ohm  
 INSULATION RESISTANCE : > 1000 M Ohm (500V DC)
- 4. OPERATING TEMPERATURE RANGE: -40°C TO +110 °C
- 5. TOLERANCE NOT CUMULATIVE.
- 6. PRELIMINARY - NOT FOR PRODUCTION.
- 7. WITH SPECIAL CODING LOCATED IN POSITIONS 1 AND 3.  
 MATES WITH 3-284512-8.
- 8. WITH SPECIAL CODING LOCATED IN POSITION 2.  
 MATES WITH 3-284512-9.
- 9. SPECIAL MARKING. REFER THE DRAWING.

9	6	Material	Thickness	Length	Part Number
		TIN	14.0	4	3-284506-1
6	8	TIN	10.5	3	<del>3-284506-0</del>
6	7	TIN	10.5	3	<del>2-284506-9</del>
6	6	0.8 MICRON GOLD	10.5	3	<del>2-284506-8</del>
6	6	GOLD FLASH	24.5	7	<del>2-284506-7</del>
6	6	0.2 MICRON GOLD	42.0	12	<del>2-284506-6</del>
		TIN	87.5	25	<del>2-284506-5</del>
		TIN	84.0	24	2-284506-4
		TIN	80.5	23	<del>2-284506-3</del>
		TIN	77.0	22	<del>2-284506-2</del>
		TIN	73.5	21	<del>2-284506-1</del>
		TIN	70.0	20	<del>2-284506-0</del>
		TIN	66.5	19	<del>1-284506-9</del>
		TIN	63.0	18	<del>1-284506-8</del>
		TIN	59.5	17	<del>1-284506-7</del>
		TIN	56.0	16	1-284506-6
		TIN	52.5	15	<del>1-284506-5</del>
		TIN	49.0	14	1-284506-4
		TIN	45.5	13	1-284506-3
		TIN	42.0	12	1-284506-2
		TIN	38.5	11	1-284506-1
		TIN	35.0	10	1-284506-0
		TIN	31.5	9	284506-9
		TIN	28.0	8	284506-8
		TIN	24.5	7	284506-7
		TIN	21.0	6	284506-6
		TIN	17.5	5	284506-5
		TIN	14.0	4	284506-4
		TIN	10.5	3	284506-3
		TIN	7.0	2	284506-2
		TERMINAL PLATING	A	NO OF POSN	PART NUMBER

THIS DRAWING IS A CONTROLLED DOCUMENT.

DIMENSIONS: mm	TOLERANCES UNLESS OTHERWISE SPECIFIED:	DWN: E. ZANDLIN 05FEB2002	TE Connectivity NAME: TERMINAL BLOCK PLUG STACKING 3.5mm PITCH SIZE: A2 CAGE CODE: 100779 DRAWING NO: C-284506 RESTRICTED TO:
	0 PLC ±	CHK: E. ZANDLIN 05FEB2002	
	1 PLC ±0.3	APVD: D. BIEVENOUR 05FEB2002	
	2 PLC ±0.25	PRODUCT SPEC: 108-20166	
	3 PLC ±	APPLICATION SPEC: 114-20079	SCALE: 5:1 SHEET: 1 OF 1 REV: C6
	4 PLC ±	WEIGHT: -	
MATERIAL: 1	FINISH: 1	CUSTOMER DRAWING	

## X-ON Electronics

Largest Supplier of Electrical and Electronic Components

*Click to view similar products for [Pluggable Terminal Blocks](#) category:*

*Click to view products by [TE Connectivity](#) manufacturer:*

Other Similar products are found below :

[57.510.0053](#) [MC 1.5/ 6-ST-3.5 GY AU](#) [ET02015000J0G](#) [734-104](#) [734-302](#) [8-141-P](#) [8426620000](#) [860505](#) [860516](#) [860810](#) [GBPACX-12](#)  
[93.731.4953.0](#) [PV05-5,08-K](#) [PVP02-5,00](#) [PVP03-3,50](#) [PVP04-3,50](#) [PVS02-5,00](#) [1-1986160-3](#) [1377680000](#) [1531000000](#) [1546228-5](#)  
[ELFH16150](#) [ELFP03110](#) [ELFP10210](#) [ELFT06250](#) [ELVP03100](#) [1700101](#) [1700410](#) [1700425](#) [1702246](#) [1705229](#) [1710175](#) [1714537](#) [1717806](#)  
[1719600](#) [1728941](#) [1734692](#) [1734795](#) [1736036](#) [1740194](#) [1740291](#) [1740628](#) [1740990](#) [1746952](#) [1750207](#) [1752441](#) [1752865](#) [1754115](#)  
[1754144](#) [1756913](#)