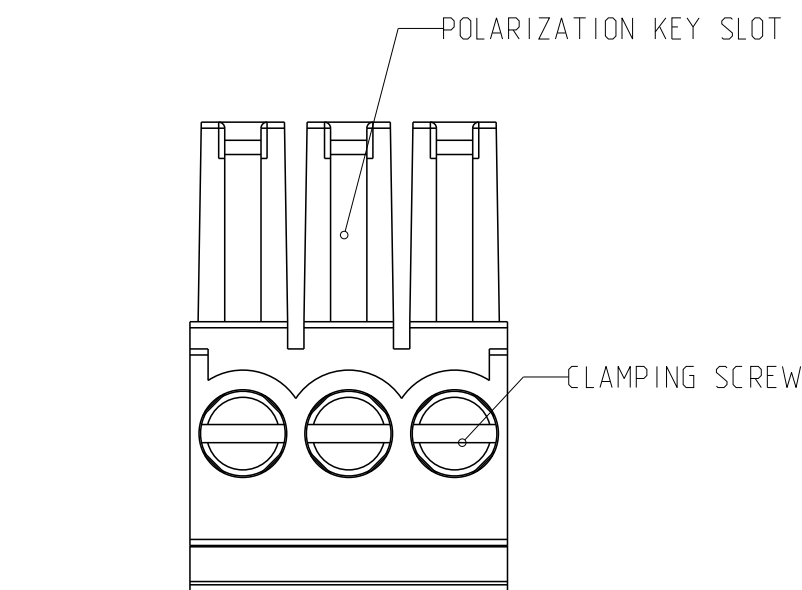
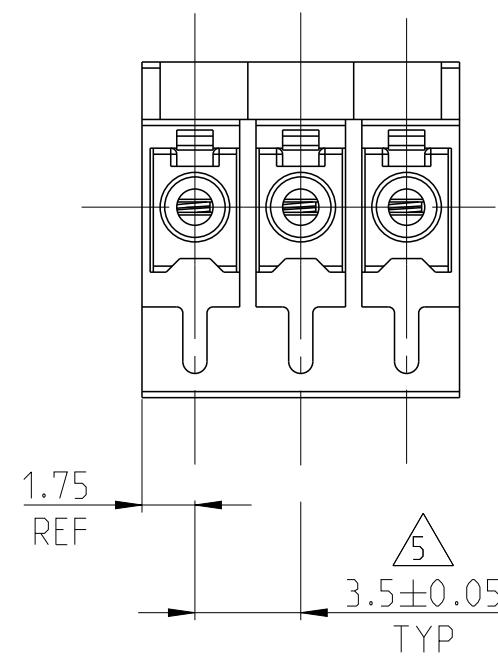
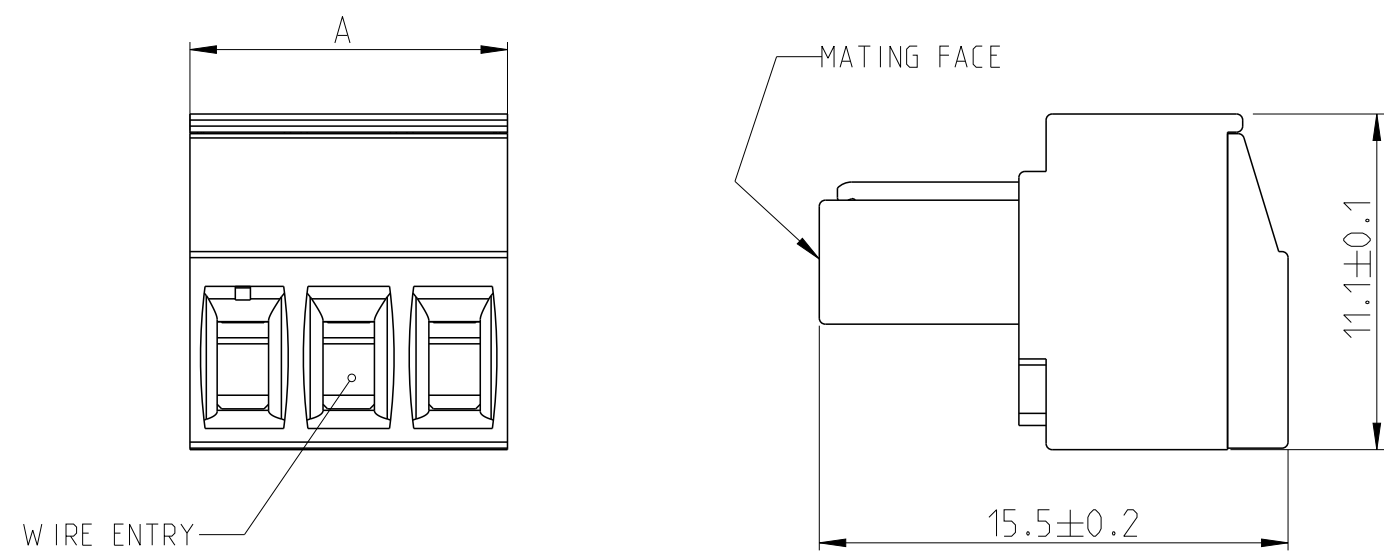
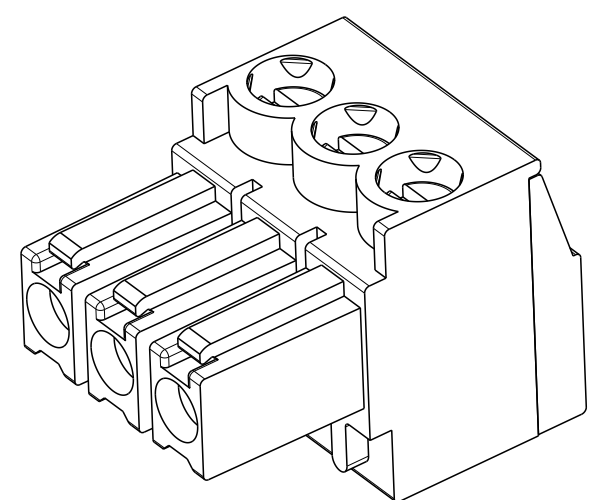


| P  | LTR | DESCRIPTION               | DATE      | DWN | APVD |
|----|-----|---------------------------|-----------|-----|------|
| C4 |     | REVISED PER ECO-11-005009 | 12MAR2011 | HMR | CR   |
| C5 |     | NEW P/N 3-284506-1 ADDED  | 04NOV2016 | FP  | NG   |
| C6 |     | PART OBSOLETE             | 31AUG2020 | DV  | PS   |



1. MATERIALS AND FINISH  
 HOUSING : PA 6.6, UL 94-V0, COLOR GREEN  
 CLAMP : BRASS, NICKEL PLATED.  
 TERMINAL : BRASS, PLATING: SEE TABLE.  
 CONTACT SPRING : PHOSPHOR BRONZE, TIN PLATED  
 CLAMPING SCREW : M2, BRASS, NICKEL PLATED
  2. MECHANICAL  
 RECOMMENDED/ HIGHEST TIGHTENING TORQUE : 0.25/0.25 Nm  
 WIRE STRIPPING LENGTH : 5 - 6 mm
  3. ELECTRICAL  
 WIRE RANGE : 30 - 14 AWG  
 MAX. VOLTAGE : 300 V  
 MAX CURRENT : 11 A  
 CONTACT RESISTANCE : < 15 m Ohm  
 INSULATION RESISTANCE : > 1000 M Ohm (500V DC)
  4. OPERATING TEMPERATURE RANGE: -40°C TO +110°C
5. TOLERANCE NOT CUMULATIVE.
6. PRELIMINARY - NOT FOR PRODUCTION.
7. WITH SPECIAL CODING LOCATED IN POSITIONS 1 AND 3.  
 MATES WITH 3-284512-8.
8. WITH SPECIAL CODING LOCATED IN POSITION 2.  
 MATES WITH 3-284512-9.
9. SPECIAL MARKING. REFER THE DRAWING.

| 9 | 6 | TIN              | 14.0 | 4          | 3-284506-1            |
|---|---|------------------|------|------------|-----------------------|
| 6 | 8 | TIN              | 10.5 | 3          | <del>3-284506-0</del> |
| 6 | 7 | TIN              | 10.5 | 3          | <del>2-284506-9</del> |
| 6 | 6 | 0.8 MICRON GOLD  | 10.5 | 3          | <del>2-284506-8</del> |
| 6 | 6 | GOLD FLASH       | 24.5 | 7          | <del>2-284506-7</del> |
| 6 | 6 | 0.2 MICRON GOLD  | 42.0 | 12         | <del>2-284506-6</del> |
|   |   | TIN              | 87.5 | 25         | <del>2-284506-5</del> |
|   |   | TIN              | 84.0 | 24         | 2-284506-4            |
|   |   | TIN              | 80.5 | 23         | <del>2-284506-3</del> |
|   |   | TIN              | 77.0 | 22         | <del>2-284506-2</del> |
|   |   | TIN              | 73.5 | 21         | <del>2-284506-1</del> |
|   |   | TIN              | 70.0 | 20         | <del>2-284506-0</del> |
|   |   | TIN              | 66.5 | 19         | <del>1-284506-9</del> |
|   |   | TIN              | 63.0 | 18         | <del>1-284506-8</del> |
|   |   | TIN              | 59.5 | 17         | <del>1-284506-7</del> |
|   |   | TIN              | 56.0 | 16         | 1-284506-6            |
|   |   | TIN              | 52.5 | 15         | <del>1-284506-5</del> |
|   |   | TIN              | 49.0 | 14         | 1-284506-4            |
|   |   | TIN              | 45.5 | 13         | 1-284506-3            |
|   |   | TIN              | 42.0 | 12         | 1-284506-2            |
|   |   | TIN              | 38.5 | 11         | 1-284506-1            |
|   |   | TIN              | 35.0 | 10         | 1-284506-0            |
|   |   | TIN              | 31.5 | 9          | 284506-9              |
|   |   | TIN              | 28.0 | 8          | 284506-8              |
|   |   | TIN              | 24.5 | 7          | 284506-7              |
|   |   | TIN              | 21.0 | 6          | 284506-6              |
|   |   | TIN              | 17.5 | 5          | 284506-5              |
|   |   | TIN              | 14.0 | 4          | 284506-4              |
|   |   | TIN              | 10.5 | 3          | 284506-3              |
|   |   | TIN              | 7.0  | 2          | 284506-2              |
|   |   | TERMINAL PLATING | A    | NO OF POSN | PART NUMBER           |



P/N 284506-3 AS SHOWN

| BN | W/B | OR | W/O |
|----|-----|----|-----|
|    |     |    |     |

3-284056-1

THIS DRAWING IS A CONTROLLED DOCUMENT.

|                   |  |  |   |
|-------------------|--|--|---|
| DIMENSIONS:<br>mm | TOLERANCES UNLESS OTHERWISE SPECIFIED:<br>0 PLC ±<br>1 PLC ±0.3<br>2 PLC ±0.25<br>3 PLC ±<br>4 PLC ± | DWN<br>E. ZANDLIN 05FEB2002<br>CHK<br>E. ZANDLIN 05FEB2002<br>APVD<br>D. BIEVENOUR 05FEB2002 | NAME<br>TERMINAL BLOCK PLUG<br>STACKING 3.5mm PITCH |
| MATERIAL          | FINISH   | PRODUCT SPEC<br>108-20166<br>APPLICATION SPEC<br>114-20079                                   | SIZE<br>A2  |
|                   |  | WEIGHT<br>-  | CAGE CODE<br>00779                                  |
|                   |  | CUSTOMER DRAWING   | DRAWING NO<br>C-284506                              |
|                   |  | SCALE<br>5:1   | RESTRICTED TO                                       |
|                   |  | SHEET<br>1 OF 1  | REV<br>C6   |

TE Connectivity

## X-ON Electronics

Largest Supplier of Electrical and Electronic Components

*Click to view similar products for [Pluggable Terminal Blocks](#) category:*

*Click to view products by [TE Connectivity](#) manufacturer:*

Other Similar products are found below :

[57.510.0053](#) [MC 1.5/ 6-ST-3.5 GY AU](#) [734-104](#) [734-302](#) [8-141-P](#) [8426620000](#) [860505](#) [860516](#) [860810](#) [GBPACX-12](#) [93.731.4953.0](#) [PV05-5,08-K](#) [PVP02-5,00](#) [PVP03-3,50](#) [PVP04-3,50](#) [PVS02-5,00](#) [1-1986160-3](#) [1377680000](#) [1531000000](#) [1546228-5](#) [ELFH16150](#) [ELFP03110](#) [ELFP10210](#) [ELFT06250](#) [ELVP03100](#) [1700101](#) [1700410](#) [1700425](#) [1702246](#) [1705229](#) [1710175](#) [1714537](#) [1717806](#) [1719600](#) [1728941](#) [1734692](#) [1734795](#) [1736036](#) [1740194](#) [1740291](#) [1740628](#) [1740990](#) [1746952](#) [1750207](#) [1752441](#) [1752865](#) [1754115](#) [1754144](#) [1756913](#) [1760051](#)