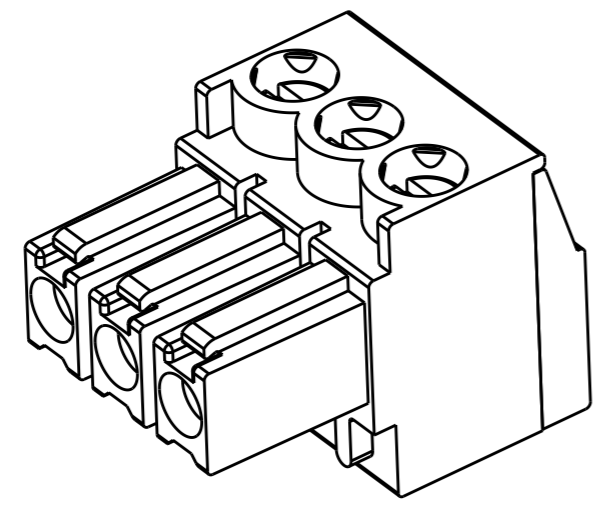
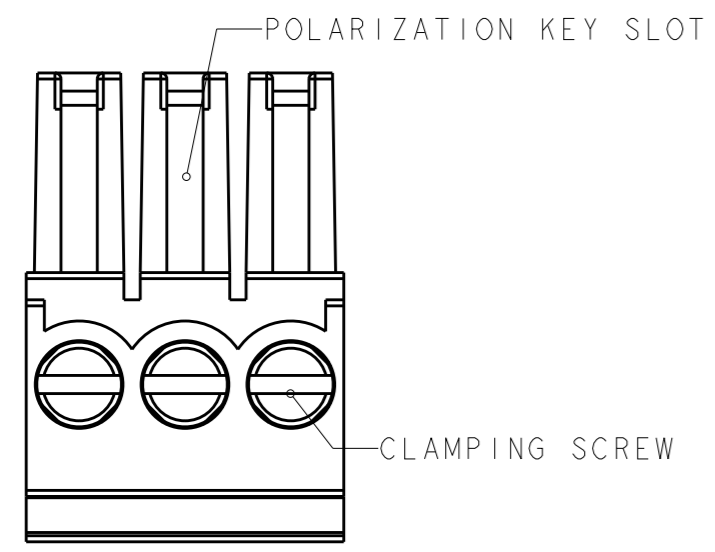
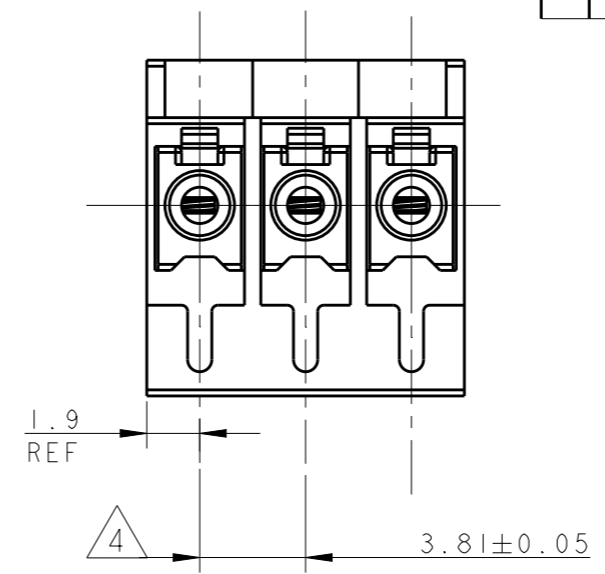
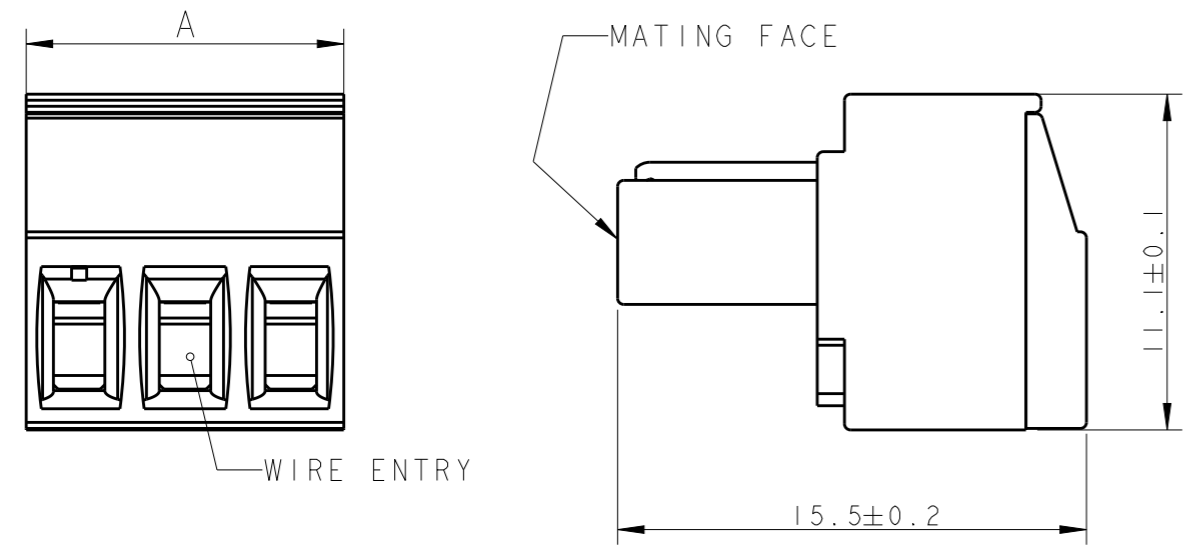


THIS DRAWING IS UNPUBLISHED. RELEASED FOR PUBLICATION 20  
 © COPYRIGHT 20 BY - ALL RIGHTS RESERVED.

REVISIONS					
P	LTR	DESCRIPTION	DATE	DWN	APVD
	C2	REVISED PER ECO-14-015436	13OCT2014	NK	MM



284507-3 AS SHOWN

- 1 MATERIALS AND FINISH  
 HOUSING: PA 6.6, UL 94-V0, COLOR GREEN  
 CLAMP: BRASS, NICKEL PLATED  
 TERMINAL: BRASS, TIN PLATED  
 CONTACT SPRING: PHOSPHOR BRONZE, TIN PLATED  
 CLAMPING SCREW: M2, BRASS, NICKEL PLATED
- 2 END-TO-END STACKABLE WITHOUT LOSS OF CENTERLINE SPACING
- 3 WIRE SIZE RANGE  
 14 - 30 AWG
- 4 NOT CUMULATIVE TOLERANCE
- 5 HOUSING: PA 6.6, UL 94-V0, COLOR: RED
- 6 PRELIMINARY - NOT RELEASED FOR PRODUCTION

DIM A	NO OF POS	PART NUMBER
19.05	5	3-284507-5
10.5	4	3-284507-4
7.0	3	3-284507-3
95.25	25	2-284507-5
91.44	24	2-284507-4
87.63	23	2-284507-3
83.82	22	2-284507-2
80.01	21	2-284507-1
76.20	20	2-284507-0
72.39	19	1-284507-9
68.58	18	1-284507-8
64.77	17	1-284507-7
60.96	16	1-284507-6
57.15	15	1-284507-5
53.34	14	1-284507-4
49.53	13	1-284507-3
45.72	12	1-284507-2
41.91	11	1-284507-1
38.10	10	1-284507-0
34.29	9	284507-9
30.48	8	284507-8
26.67	7	284507-7
22.86	6	284507-6
19.05	5	284507-5
15.24	4	284507-4
11.43	3	284507-3
7.62	2	284507-2

THIS DRAWING IS A CONTROLLED DOCUMENT.		DWN 05FEB2002 E. ZANOLINI	TE Connectivity	
DIMENSIONS: mm		CHK 05FEB2002 E. ZANOLINI		
TOLERANCES UNLESS OTHERWISE SPECIFIED:		APVD 05FEB2002 D. BIEVENOUR	NAME TERMINAL BLOCK PLUG STACKING 3.81mm PITCH	
0 PLC ±-		PRODUCT SPEC 108-20166	SIZE CAGE CODE DRAWING NO RESTRICTED TO	
1 PLC ±0.30		APPLICATION SPEC 114-20079	A300779 C-284507	
2 PLC ±0.25		WEIGHT -	SCALE 4:1 SHEET 1 OF 1 REV C2	
3 PLC ±-		CUSTOMER DRAWING		
4 PLC ±-				
ANGLES ±2°				
MATERIAL				
FINISH				

## X-ON Electronics

Largest Supplier of Electrical and Electronic Components

*Click to view similar products for [Pluggable Terminal Blocks](#) category:*

*Click to view products by [TE Connectivity](#) manufacturer:*

Other Similar products are found below :

[57.510.0053](#) [MC 1.5/ 6-ST-3.5 GY AU](#) [ET02015000J0G](#) [734-104](#) [734-302](#) [8-141-P](#) [8426620000](#) [860505](#) [860516](#) [860810](#) [GBPACX-12](#)  
[93.731.4953.0](#) [PV05-5,08-K](#) [PVP03-3,50](#) [PVP04-3,50](#) [PVS02-5,00](#) [1-1986160-3](#) [1377680000](#) [1531000000](#) [1546228-5](#) [ELFH16150](#)  
[ELFP03110](#) [ELFP10210](#) [ELFT06250](#) [ELVP03100](#) [1700101](#) [1700410](#) [1700425](#) [1702246](#) [1705229](#) [1710175](#) [1714537](#) [1717806](#) [1719600](#)  
[1728941](#) [1734692](#) [1734795](#) [1736036](#) [1740194](#) [1740628](#) [1740990](#) [1746952](#) [1750207](#) [1752441](#) [1752865](#) [1754115](#) [1754144](#) [1756913](#)  
[1760051](#) [1760336](#)