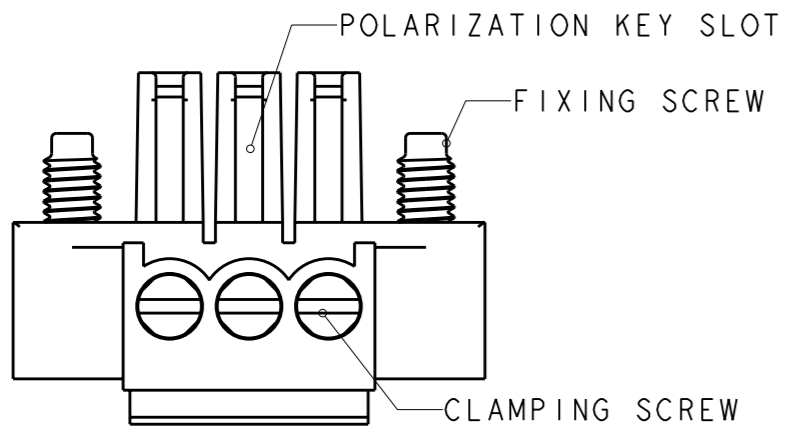
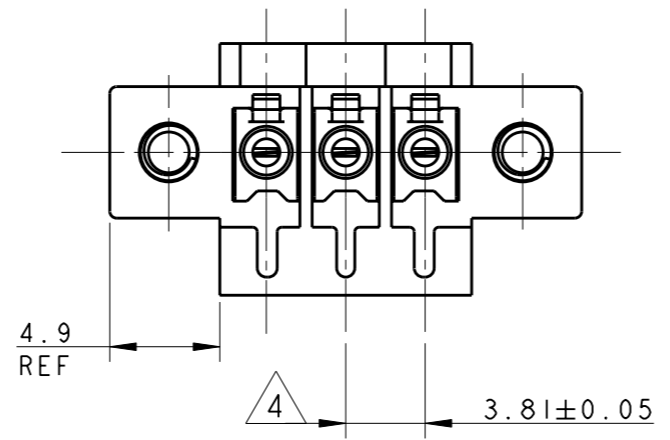
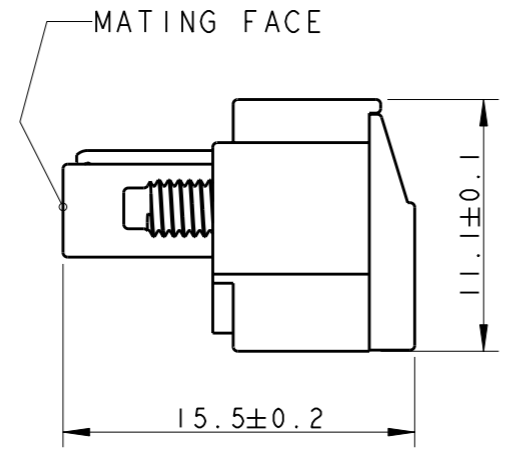
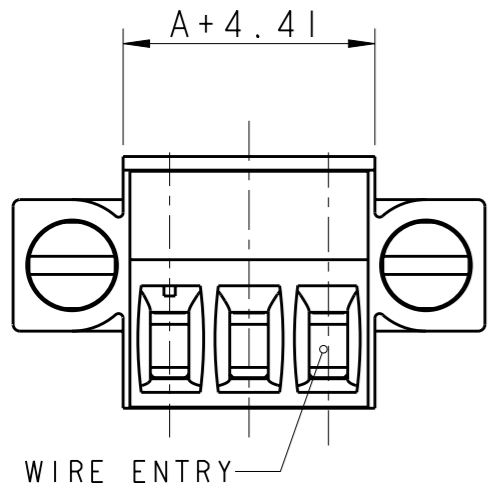


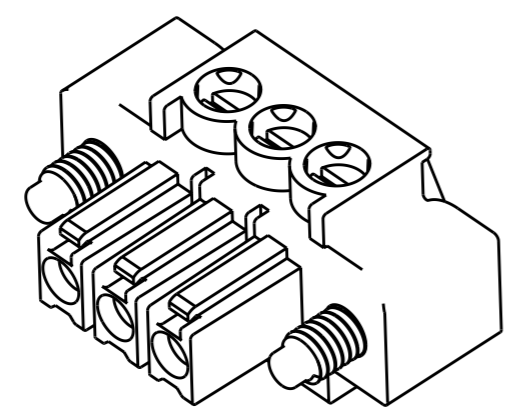
THIS DRAWING IS UNPUBLISHED. RELEASED FOR PUBLICATION 20  
 © COPYRIGHT 20 BY TYCO ELECTRONICS CORPORATION. ALL RIGHTS RESERVED.

LOC	DIST	REVISIONS			
P	LTR	DESCRIPTION	DATE	DWN	APVD
FT	0	B1	REVISED PER ECO-11-005009	12MAR2011	HMR CR



- 1 MATERIALS AND FINISH  
 HOUSING : PA 6.6, UL 94-V0, COLOR GREEN  
 CLAMP : BRASS, NICKEL PLATED  
 TERMINAL : BRASS, TIN PLATED  
 CONTACT SPRING : PHOSPHOR BRONZE, TIN PLATED  
 CLAMPING SCREW : M2, BRASS, NICKEL PLATED
- 2 FLANGES WITH M2.5 FIXING SCREWS
- 3 WIRE SIZE RANGE  
 14 - 30 AWG
- 4 NOT CUMULATIVE TOLERANCE

83.82	23	2-284511-3
80.01	22	2-284511-2
76.20	21	2-284511-1
72.39	20	2-284511-0
68.58	19	1-284511-9
64.77	18	1-284511-8
60.96	17	1-284511-7
57.15	16	1-284511-6
53.34	15	1-284511-5
49.53	14	1-284511-4
45.72	13	1-284511-3
41.91	12	1-284511-2
38.10	11	1-284511-1
34.29	10	1-284511-0
30.48	9	284511-9
26.67	8	284511-8
22.86	7	284511-7
19.05	6	284511-6
15.24	5	284511-5
11.43	4	284511-4
7.62	3	284511-3
3.81	2	284511-2
DIM A	NO OF POS	PART NUMBER



284511-3 AS SHOWN

<small>THIS DRAWING IS A CONTROLLED DOCUMENT FOR TYCO ELECTRONICS CORPORATION          IT IS SUBJECT TO CHANGE AND THE CONTROLLING ENGINEERING ORGANIZATION          SHOULD BE CONTACTED FOR THE LATEST REVISION.</small>		DWN 06FEB2002 <b>E. ZANOLINI</b> CHK 06FEB2002 <b>E. ZANOLINI</b> APVD 06FEB2002 <b>D. BLEVENOUR</b>		Tyco Electronics Harrisburg, PA 17105-3608	
DIMENSIONS: mm		TOLERANCES UNLESS OTHERWISE SPECIFIED: 0 PLC ±.3 1 PLC ±.3 2 PLC ±.25 3 PLC ±. 4 PLC ±. ANGLES ±2		NAME <b>TERMINAL BLOCK, PLUG WITH SCREW FLANGE 3.81mm PITCH</b>	
		PRODUCT SPEC 108-20166 APPLICATION SPEC 114-20079		SIZE A3 CAGE CODE 00779 DRAWING NO C-284511 RESTRICTED TO -	
MATERIAL		FINISH		WEIGHT - CUSTOMER DRAWING SCALE 3:1 SHEET 1 OF 1 REV B1	

## X-ON Electronics

Largest Supplier of Electrical and Electronic Components

*Click to view similar products for [Pluggable Terminal Blocks](#) category:*

*Click to view products by [TE Connectivity](#) manufacturer:*

Other Similar products are found below :

[57.510.0053](#) [MC 1.5/ 6-ST-3.5 GY AU](#) [ET02015000J0G](#) [734-104](#) [734-302](#) [8-141-P](#) [8426620000](#) [860505](#) [860516](#) [860810](#) [GBPACX-12](#)  
[93.731.4953.0](#) [PV05-5,08-K](#) [PVP03-3,50](#) [PVP04-3,50](#) [PVS02-5,00](#) [1-1986160-3](#) [1377680000](#) [1531000000](#) [1546228-5](#) [ELFH16150](#)  
[ELFP03110](#) [ELFP10210](#) [ELFT06250](#) [ELVP03100](#) [1700101](#) [1700410](#) [1700425](#) [1702246](#) [1705229](#) [1710175](#) [1714537](#) [1717806](#) [1719600](#)  
[1728941](#) [1734692](#) [1734795](#) [1736036](#) [1740194](#) [1740628](#) [1740990](#) [1746952](#) [1750207](#) [1752441](#) [1752865](#) [1754115](#) [1754144](#) [1756913](#)  
[1760051](#) [1760336](#)