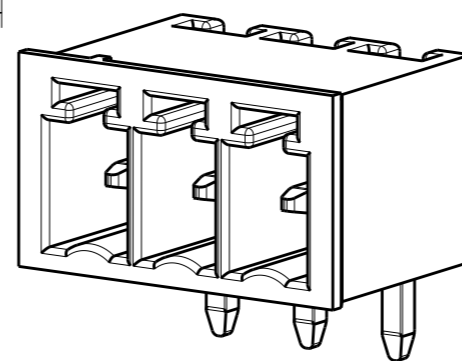
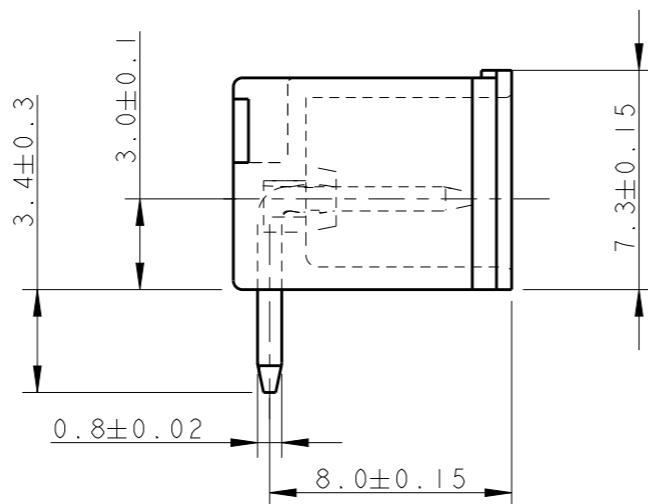
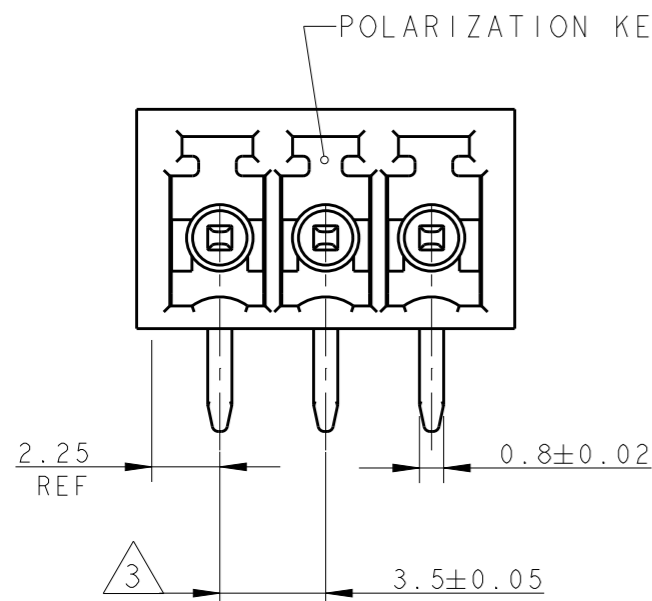
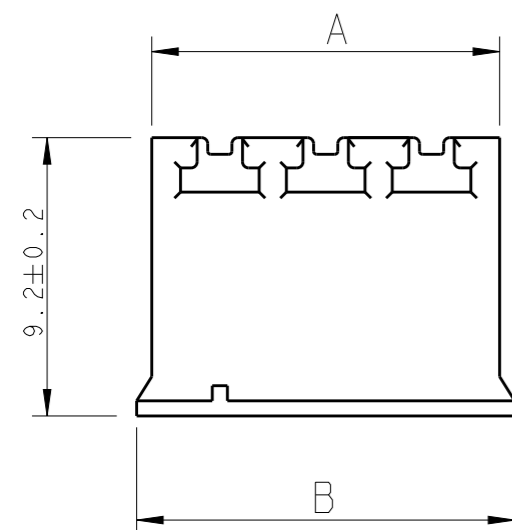


P	LTR	DESCRIPTION	DATE	DWN	APVD
	E4	PRELIMINARY PARTS OBSOLETE	28MAY2020	SS	PS

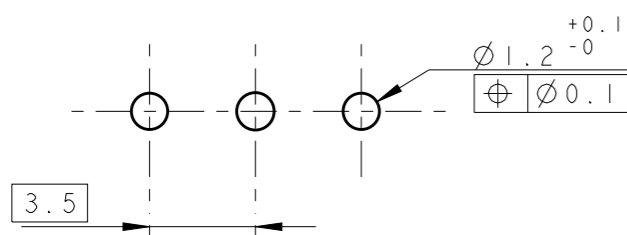


284512-3 AS SHOWN



- 1 MATERIALS AND FINISH  
HOUSING : PA 6.6, UL 94-V0, COLOR GREEN  
TERMINAL : PHOSPHOR BRONZE, PLATING: SEE TABLE.
- 2. SUITABLE FOR 1.6-2.4 mm. PC BOARD THICKNESS
- 3 NOT CUMULATIVE TOLERANCE
- 4 PRELIMINARY - NOT FOR PRODUCTION.
- 5 SPECIAL CODING LOCATED AT POSITION 2.  
PART TO BE MATED WITH 2-284506-9.
- 6 SPECIAL CODING LOCATED AT POSITION 1 AND 2.  
PART TO BE MATED WITH 3-284506-0.

TERMINAL PLATING	B	A	NO OF POSN	PART NUMBER
4 6 TIN	12.5	11.5	3	<del>3-284512-0</del>
4 5 TIN	12.5	11.5	3	<del>3-284512-8</del>
4 GOLD FLASH	26.5	25.5	7	<del>3-284512-6</del>
0.2 MICRON GOLD	44.0	43.0	12	3-284512-5
TIN	16.0	15.0	4	3-284512-4
TIN	12.5	11.5	3	3-284512-3
TIN	89.5	88.5	25	2-284512-5
TIN	86.0	85.0	24	2-284512-4
TIN	82.5	81.5	23	2-284512-3
TIN	79.0	78.0	22	2-284512-2
TIN	75.5	74.5	21	2-284512-1
TIN	72.0	71.0	20	2-284512-0
TIN	68.5	67.5	19	1-284512-9
TIN	65.0	64.0	18	1-284512-8
TIN	61.5	60.5	17	1-284512-7
TIN	58.0	57.0	16	1-284512-6
TIN	54.5	53.5	15	1-284512-5
TIN	51.0	50.0	14	1-284512-4
TIN	47.5	46.5	13	1-284512-3
TIN	44.0	43.0	12	1-284512-2
TIN	40.5	39.5	11	1-284512-1
TIN	37.0	36.0	10	1-284512-0
TIN	33.5	32.5	9	284512-9
TIN	30.0	29.0	8	284512-8
TIN	26.5	25.5	7	284512-7
TIN	23.0	22.0	6	284512-6
TIN	19.5	18.5	5	284512-5
TIN	16.0	15.0	4	284512-4
TIN	12.5	11.5	3	284512-3
TIN	9.0	8.0	2	284512-2



RECOMMENDED PC BOARD LAYOUT

THIS DRAWING IS A CONTROLLED DOCUMENT.

DIMENSIONS: mm	TOLERANCES UNLESS OTHERWISE SPECIFIED: 0 PLC ±. 1 PLC ±.3 2 PLC ±.25 3 PLC ±. 4 PLC ±. ANGLES ±2
MATERIAL	FINISH

DWN E. ZANOLINI 06FEB2002	CHK E. ZANOLINI 06FEB2002	APVD D. BIEVENOUR 06FEB2002
PRODUCT SPEC 108-20166		
APPLICATION SPEC 114-20079		
WEIGHT -		
CUSTOMER DRAWING		

**TE** TE Connectivity

NAME  
TERMINAL BLOCK, HEADER ASSEMBLY  
90 DEGREE, CLOSED ENDS  
3.5mm PITCH

SIZE A300779	CAGE CODE C-284512	DRAWING NO	RESTRICTED TO
-----------------	-----------------------	------------	---------------

SCALE 4:1 SHEET 1 OF 1 REV E4

## X-ON Electronics

Largest Supplier of Electrical and Electronic Components

*Click to view similar products for [Pluggable Terminal Blocks](#) category:*

*Click to view products by [TE Connectivity](#) manufacturer:*

Other Similar products are found below :

[57.510.0053](#) [MC 1.5/ 6-ST-3.5 GY AU](#) [ET02015000J0G](#) [734-104](#) [734-302](#) [8-141-P](#) [8426620000](#) [860505](#) [860516](#) [860810](#) [GBPACX-12](#)  
[93.731.4953.0](#) [PV05-5,08-K](#) [PVP03-3,50](#) [PVP04-3,50](#) [PVS02-5,00](#) [1-1986160-3](#) [1377680000](#) [1531000000](#) [1546228-5](#) [ELFH16150](#)  
[ELFP03110](#) [ELFP10210](#) [ELFT06250](#) [ELVP03100](#) [1700101](#) [1700410](#) [1700425](#) [1702246](#) [1705229](#) [1710175](#) [1714537](#) [1717806](#) [1719600](#)  
[1728941](#) [1734692](#) [1734795](#) [1736036](#) [1740194](#) [1740628](#) [1740990](#) [1746952](#) [1750207](#) [1752441](#) [1752865](#) [1754115](#) [1754144](#) [1756913](#)  
[1760051](#) [1760336](#)