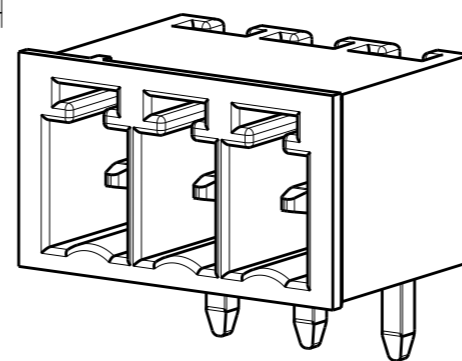
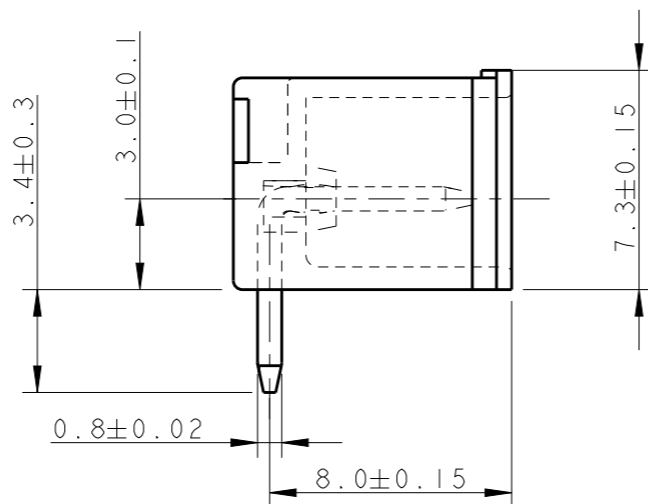
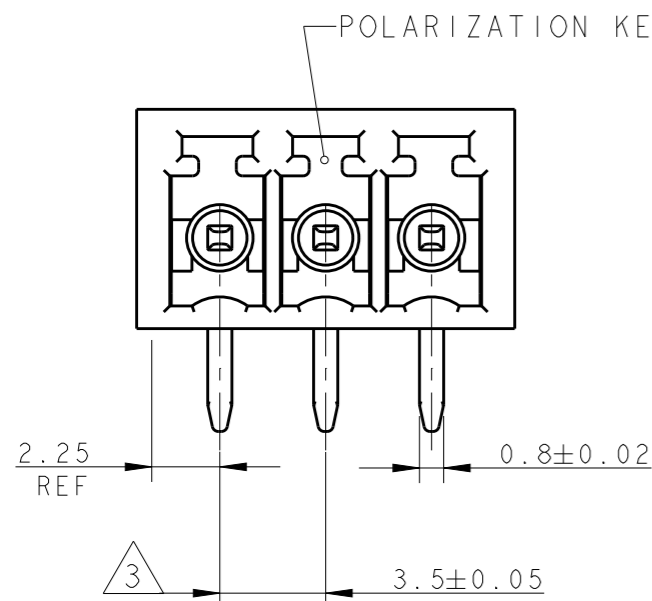
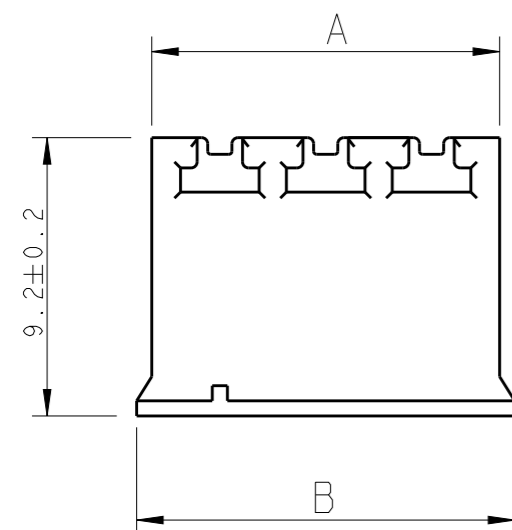


P	LTR	DESCRIPTION	DATE	DWN	APVD
	E4	PRELIMINARY PARTS OBSOLETE	28MAY2020	SS	PS

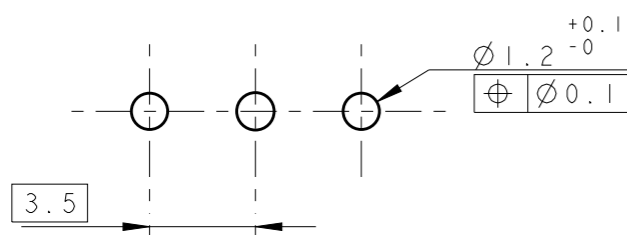


284512-3 AS SHOWN



- 1 MATERIALS AND FINISH
HOUSING : PA 6.6, UL 94-V0, COLOR GREEN
TERMINAL : PHOSPHOR BRONZE, PLATING: SEE TABLE.
- 2. SUITABLE FOR 1.6-2.4 mm. PC BOARD THICKNESS
- 3 NOT CUMULATIVE TOLERANCE
- 4 PRELIMINARY - NOT FOR PRODUCTION.
- 5 SPECIAL CODING LOCATED AT POSITION 2.
PART TO BE MATED WITH 2-284506-9.
- 6 SPECIAL CODING LOCATED AT POSITION 1 AND 2.
PART TO BE MATED WITH 3-284506-0.

TERMINAL PLATING	B	A	NO OF POSN	PART NUMBER
4 6 TIN	12.5	11.5	3	3-284512-9
4 5 TIN	12.5	11.5	3	3-284512-8
4 GOLD FLASH	26.5	25.5	7	3-284512-6
0.2 MICRON GOLD	44.0	43.0	12	3-284512-5
TIN	16.0	15.0	4	3-284512-4
TIN	12.5	11.5	3	3-284512-3
TIN	89.5	88.5	25	2-284512-5
TIN	86.0	85.0	24	2-284512-4
TIN	82.5	81.5	23	2-284512-3
TIN	79.0	78.0	22	2-284512-2
TIN	75.5	74.5	21	2-284512-1
TIN	72.0	71.0	20	2-284512-0
TIN	68.5	67.5	19	1-284512-9
TIN	65.0	64.0	18	1-284512-8
TIN	61.5	60.5	17	1-284512-7
TIN	58.0	57.0	16	1-284512-6
TIN	54.5	53.5	15	1-284512-5
TIN	51.0	50.0	14	1-284512-4
TIN	47.5	46.5	13	1-284512-3
TIN	44.0	43.0	12	1-284512-2
TIN	40.5	39.5	11	1-284512-1
TIN	37.0	36.0	10	1-284512-0
TIN	33.5	32.5	9	284512-9
TIN	30.0	29.0	8	284512-8
TIN	26.5	25.5	7	284512-7
TIN	23.0	22.0	6	284512-6
TIN	19.5	18.5	5	284512-5
TIN	16.0	15.0	4	284512-4
TIN	12.5	11.5	3	284512-3
TIN	9.0	8.0	2	284512-2



RECOMMENDED PC BOARD LAYOUT

THIS DRAWING IS A CONTROLLED DOCUMENT.

DIMENSIONS: mm	TOLERANCES UNLESS OTHERWISE SPECIFIED: 0 PLC ±- 1 PLC ±.3 2 PLC ±.25 3 PLC ±- 4 PLC ±- ANGLES ±2	DWN E. ZANOLINI 06FEB2002 CHK E. ZANOLINI 06FEB2002 APVD D. BIEVENOUR 06FEB2002	TE Connectivity NAME: TERMINAL BLOCK, HEADER ASSEMBLY 90 DEGREE, CLOSED ENDS 3.5mm PITCH
MATERIAL	FINISH	PRODUCT SPEC: 108-20166 APPLICATION SPEC: 114-20079 WEIGHT: -	

CUSTOMER DRAWING SCALE 4:1 SHEET 1 OF 1 REV E4

X-ON Electronics

Largest Supplier of Electrical and Electronic Components

Click to view similar products for [Pluggable Terminal Blocks](#) category:

Click to view products by [TE Connectivity](#) manufacturer:

Other Similar products are found below :

[57.510.0053](#) [MC 1.5/ 6-ST-3.5 GY AU](#) [734-104](#) [734-302](#) [8-141-P](#) [8426620000](#) [860505](#) [860516](#) [860810](#) [GBPACX-12](#) [93.731.4953.0](#) [PV05-5,08-K](#) [PVP02-5,00](#) [PVP03-3,50](#) [PVP04-3,50](#) [PVS02-5,00](#) [1-1986160-3](#) [1377680000](#) [1531000000](#) [1546228-5](#) [ELFH16150](#) [ELFP03110](#) [ELFP10210](#) [ELFT06250](#) [ELVP03100](#) [1700101](#) [1700410](#) [1700425](#) [1702246](#) [1705229](#) [1710175](#) [1714537](#) [1717806](#) [1719600](#) [1728941](#) [1734692](#) [1734795](#) [1736036](#) [1740194](#) [1740291](#) [1740628](#) [1740990](#) [1746952](#) [1750207](#) [1752441](#) [1752865](#) [1754115](#) [1754144](#) [1756913](#) [1760051](#)