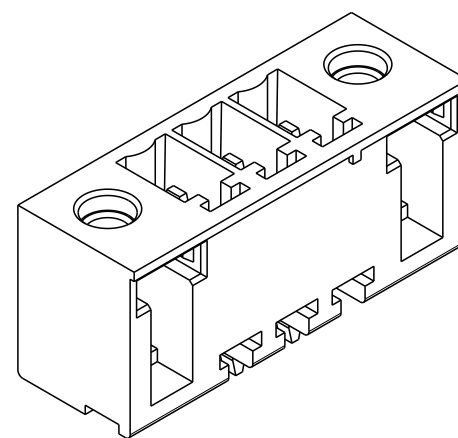
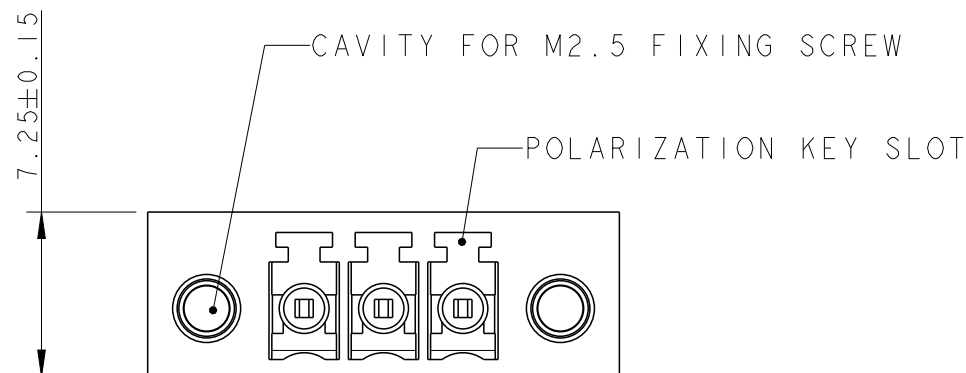
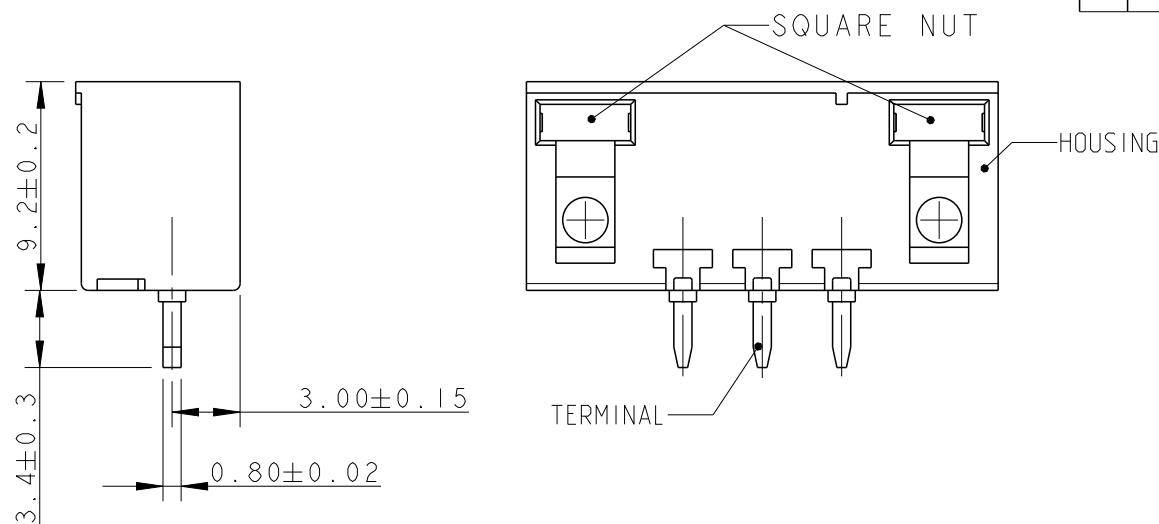
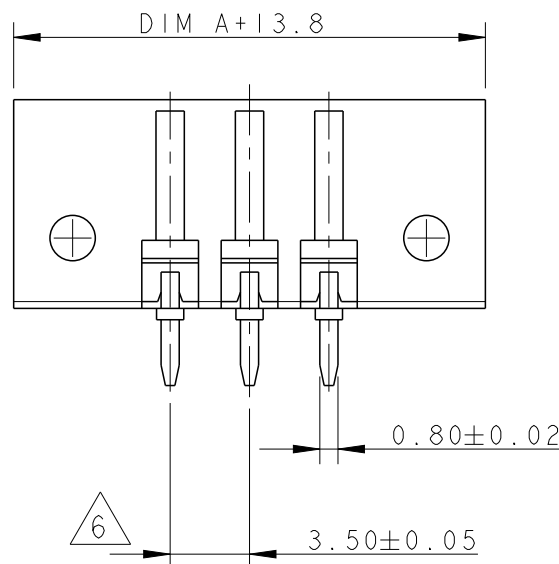


THIS DRAWING IS UNPUBLISHED. RELEASED FOR PUBLICATION 20
 © COPYRIGHT 20 BY - ALL RIGHTS RESERVED.

REVISIONS

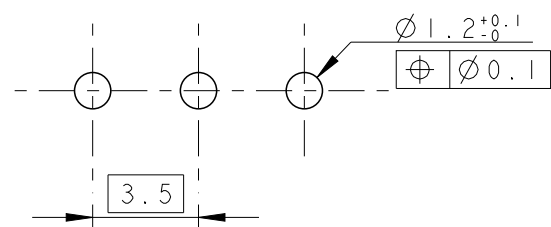
P	LTR	DESCRIPTION	DATE	DWN	APVD
	B2	SQUARE NUT PART INFORMATION ADDED	11MAY2018	RK	PS




284516-3 AS SHOWN

OBSOLETE	77.0	23	2-284516-3
	73.5	22	2-284516-2
	70.0	21	2-284516-1
	66.5	20	2-284516-0
	63.0	19	1-284516-9
OBSOLETE	59.5	18	1-284516-8
	56.0	17	1-284516-7
	52.5	16	1-284516-6
	49.0	15	1-284516-5
	45.5	14	1-284516-4
	42.0	13	1-284516-3
	38.5	12	1-284516-2
	35.0	11	1-284516-1
	31.5	10	1-284516-0
	28.0	9	284516-9
	24.5	8	284516-8
	21.0	7	284516-7
17.5	6	284516-6	
14.0	5	284516-5	
10.5	4	284516-4	
7.0	3	284516-3	
3.5	2	284516-2	
DIM A	NO OF POS	PART NUMBER	

RECOMMENDED PC BOARD LAYOUT



THIS DRAWING IS A CONTROLLED DOCUMENT.		DWN 06FEB2002 EZ	 TE Connectivity			
DIMENSIONS: mm		CHK 06FEB2002 E. ZANOLINI				
TOLERANCES UNLESS OTHERWISE SPECIFIED:		APVD 06FEB2002 D. BIEVENOUR	NAME TERMINAL BLOCK, HEADER ASSEMBLY STRAIGHT, 3.5mm PITCH WITH THREADED FLANGE			
0 PLC ±- 1 PLC ±0.3 2 PLC ±0.25 3 PLC ±- 4 PLC ±- ANGLES ±2		PRODUCT SPEC	SIZE	CAGE CODE	DRAWING NO	RESTRICTED TO
MATERIAL SEE NOTES		FINISH SEE NOTES	A300779		C-284516	-
WEIGHT		CUSTOMER DRAWING		SCALE 3:1	SHEET 1 OF 2	REV B2

THIS DRAWING IS UNPUBLISHED.

RELEASED FOR PUBLICATION

20

© COPYRIGHT 20 BY -

ALL RIGHTS RESERVED.


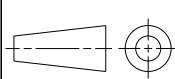
REVISIONS

P	LTR	DESCRIPTION	DATE	DWN	APVD
-		SEE SHEET 1	-	-	-

NOTES:

1. MATERIALS AND FINISH
HOUSING : PA 6.6, UL 94-V0, COLOR GREEN
TERMINAL : PHOSPHOR BRONZE, TIN PLATED
SQUARE NUT : BRASS, NICKEL PLATED.
2. MECHANICAL
MAX. INSERTION FORCE PER POLE : 3.0 N
MIN. WITHDRAWAL FORCE PER POLE : 1.5 N
MIN. PC BOARD HOLES DIAMETER : 1.2 mm
MAX. PC BOARD THICKNESS : 2.4 mm
3. ELECTRICAL
WIRE RANGE : 14-30 AWG
MAX. VOLTAGE : 300 V
MAX CURRENT : 11 A
CONTACT RESISTANCE : <15 m Ohm
INSULATION RESISTANCE : >1000 M Ohm (500V DC)
4. OPERATING TEMPERATURE RANGE: -40°C TO +110°C
5. CONNECTOR ASSEMBLY INCLUDED 2 SQUARE NUTS
LOADED IN CAVITY

 NOT CUMULATIVE TOLERANCE

THIS DRAWING IS A CONTROLLED DOCUMENT.		DWN EZ	06FEB2002	 TE Connectivity	
DIMENSIONS: mm		CHK E. ZANOLINI	06FEB2002		
		TOLERANCES UNLESS OTHERWISE SPECIFIED:		NAME D. BIEVENOUR	
		0 PLC ± 1 PLC ±0.3 2 PLC ±0.25 3 PLC ± 4 PLC ± ANGLES ±2		PRODUCT SPEC	
MATERIAL SEE NOTES		FINISH SEE NOTES		APPLICATION SPEC	
		WEIGHT -		RESTRICTED TO -	
		CUSTOMER DRAWING		SIZE A3	CAGE CODE 00779
		SCALE 3:1		DRAWING NO C-284516	REV B2
				SHEET 2	OF 2

X-ON Electronics

Largest Supplier of Electrical and Electronic Components

Click to view similar products for [Pluggable Terminal Blocks](#) category:

Click to view products by [TE Connectivity](#) manufacturer:

Other Similar products are found below :

[57.510.0053](#) [MC 1.5/ 6-ST-3.5 GY AU](#) [ET02015000J0G](#) [734-104](#) [734-302](#) [8-141-P](#) [8426620000](#) [860505](#) [860516](#) [860810](#) [GBPACX-12](#)
[93.731.4953.0](#) [PV05-5,08-K](#) [PVP03-3,50](#) [PVP04-3,50](#) [PVS02-5,00](#) [1-1986160-3](#) [1377680000](#) [1531000000](#) [1546228-5](#) [ELFH16150](#)
[ELFP03110](#) [ELFP10210](#) [ELFT06250](#) [ELVP03100](#) [1700101](#) [1700410](#) [1700425](#) [1702246](#) [1705229](#) [1710175](#) [1714537](#) [1717806](#) [1719600](#)
[1728941](#) [1734692](#) [1734795](#) [1736036](#) [1740194](#) [1740628](#) [1740990](#) [1746952](#) [1750207](#) [1752441](#) [1752865](#) [1754115](#) [1754144](#) [1756913](#)
[1760051](#) [1760336](#)