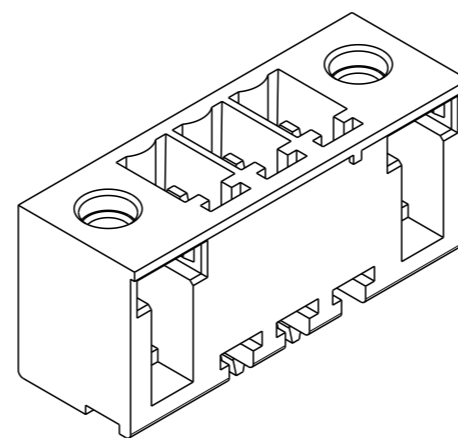
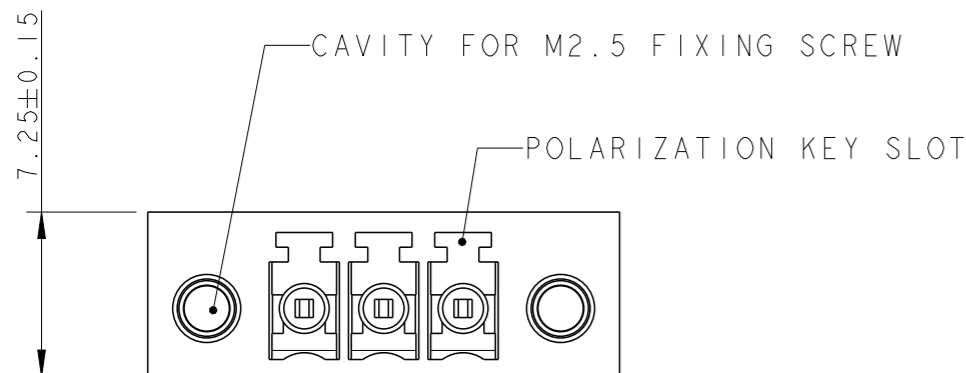
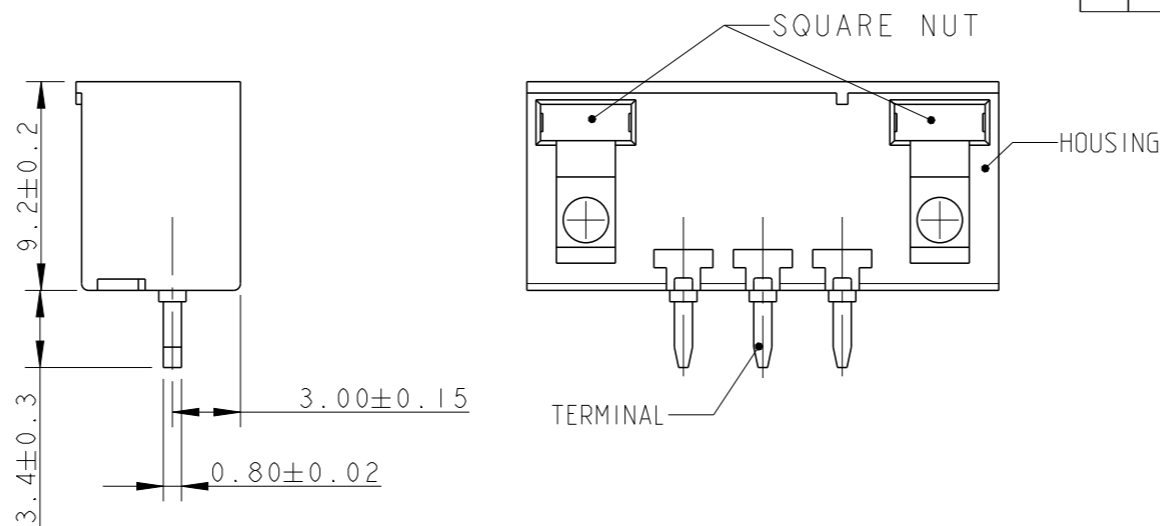
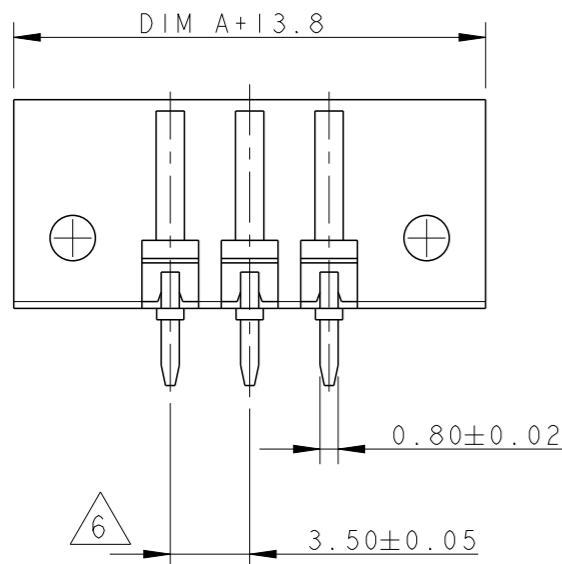


THIS DRAWING IS UNPUBLISHED. RELEASED FOR PUBLICATION 20
 © COPYRIGHT 20 BY - ALL RIGHTS RESERVED.

REVISIONS

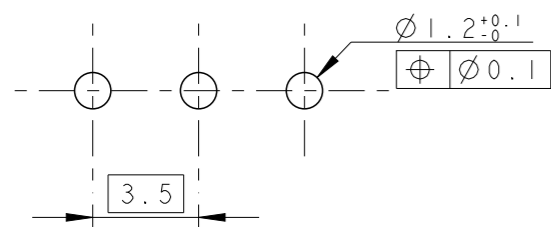
P	LTR	DESCRIPTION	DATE	DWN	APVD
	B2	SQUARE NUT PART INFORMATION ADDED	11MAY2018	RK	PS




284516-3 AS SHOWN

OBSOLETE	77.0	23	2-284516-3
	73.5	22	2-284516-2
	70.0	21	2-284516-1
	66.5	20	2-284516-0
	63.0	19	1-284516-9
OBSOLETE	59.5	18	1-284516-8
	56.0	17	1-284516-7
	52.5	16	1-284516-6
	49.0	15	1-284516-5
	45.5	14	1-284516-4
	42.0	13	1-284516-3
	38.5	12	1-284516-2
	35.0	11	1-284516-1
	31.5	10	1-284516-0
	28.0	9	284516-9
	24.5	8	284516-8
	21.0	7	284516-7
17.5	6	284516-6	
14.0	5	284516-5	
10.5	4	284516-4	
7.0	3	284516-3	
3.5	2	284516-2	
DIM A	NO OF POS	PART NUMBER	

RECOMMENDED PC BOARD LAYOUT



THIS DRAWING IS A CONTROLLED DOCUMENT.		DWN 06FEB2002 EZ	 TE Connectivity TERMINAL BLOCK, HEADER ASSEMBLY STRAIGHT, 3.5mm PITCH WITH THREADED FLANGE		
DIMENSIONS: mm		CHK 06FEB2002 E. ZANOLINI			NAME
TOLERANCES UNLESS OTHERWISE SPECIFIED:		APVD 06FEB2002 D. BIEVENOUR			PRODUCT SPEC
0 PLC ±- 1 PLC ±0.3 2 PLC ±0.25 3 PLC ±- 4 PLC ±- ANGLES ±2		APPLICATION SPEC			RESTRICTED TO
MATERIAL SEE NOTES		FINISH SEE NOTES	WEIGHT -	SIZE A300779	
				CAGE CODE C-284516	
				DRAWING NO	
				SCALE 3:1	
				SHEET 1 OF 2	
				REV B2	

THIS DRAWING IS UNPUBLISHED.

RELEASED FOR PUBLICATION

20

© COPYRIGHT 20 BY -

ALL RIGHTS RESERVED.

REVISIONS

P	LTR	DESCRIPTION	DATE	DWN	APVD
-		SEE SHEET 1	-	-	-

NOTES:

1. MATERIALS AND FINISH

HOUSING : PA 6.6, UL 94-V0, COLOR GREEN
 TERMINAL : PHOSPHOR BRONZE, TIN PLATED
 SQUARE NUT : BRASS, NICKEL PLATED.

2. MECHANICAL

MAX. INSERTION FORCE PER POLE : 3.0 N
 MIN. WITHDRAWAL FORCE PER POLE : 1.5 N
 MIN. PC BOARD HOLES DIAMETER : 1.2 mm
 MAX. PC BOARD THICKNESS : 2.4 mm


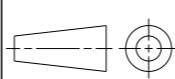
3. ELECTRICAL

WIRE RANGE : 14-30 AWG
 MAX. VOLTAGE : 300 V
 MAX CURRENT : 11 A
 CONTACT RESISTANCE : <15 m Ohm
 INSULATION RESISTANCE : >1000 M Ohm (500V DC)

4. OPERATING TEMPERATURE RANGE: -40°C TO +110°C

5. CONNECTOR ASSEMBLY INCLUDED 2 SQUARE NUTS LOADED IN CAVITY

 NOT CUMULATIVE TOLERANCE

THIS DRAWING IS A CONTROLLED DOCUMENT.		DWN EZ	06FEB2002	 TE Connectivity	
DIMENSIONS: mm		CHK E. ZANOLINI	06FEB2002		
		APVD D. BIEVENOUR	06FEB2002	NAME TERMINAL BLOCK, HEADER ASSEMBLY STRAIGHT, 3.5mm PITCH WITH THREADED FLANGE	
TOLERANCES UNLESS OTHERWISE SPECIFIED:		PRODUCT SPEC		RESTRICTED TO	
0 PLC ±-		APPLICATION SPEC		SIZE	CAGE CODE
1 PLC ±0.3		WEIGHT	-	A300779	C=284516
2 PLC ±0.25		CUSTOMER DRAWING		SCALE	SHEET
3 PLC ±-				3:1	2 OF 2
4 PLC ±-				REV	B2
ANGLES ±2					
MATERIAL SEE NOTES	FINISH SEE NOTES				

X-ON Electronics

Largest Supplier of Electrical and Electronic Components

Click to view similar products for [Pluggable Terminal Blocks](#) category:

Click to view products by [TE Connectivity](#) manufacturer:

Other Similar products are found below :

[57.510.0053](#) [MC 1.5/ 6-ST-3.5 GY AU](#) [ET02015000J0G](#) [734-104](#) [734-302](#) [8-141-P](#) [8426620000](#) [860505](#) [860516](#) [860810](#) [GBPACX-12](#)
[PV05-5,08-K](#) [PVP02-5,00](#) [PVP03-3,50](#) [PVP04-3,50](#) [PVS02-5,00](#) [1-1986160-3](#) [1377680000](#) [1531000000](#) [1546228-5](#) [ELFH16150](#)
[ELFP03110](#) [ELFP10210](#) [ELFT06250](#) [ELVP03100](#) [1700101](#) [1700410](#) [1700425](#) [1702246](#) [1705229](#) [1710175](#) [1714537](#) [1717806](#) [1719600](#)
[1728941](#) [1734692](#) [1734795](#) [1736036](#) [1740194](#) [1740628](#) [1740990](#) [1746952](#) [1750207](#) [1752441](#) [1752865](#) [1754115](#) [1754144](#) [1756913](#)
[1760051](#) [1760336](#)