

4

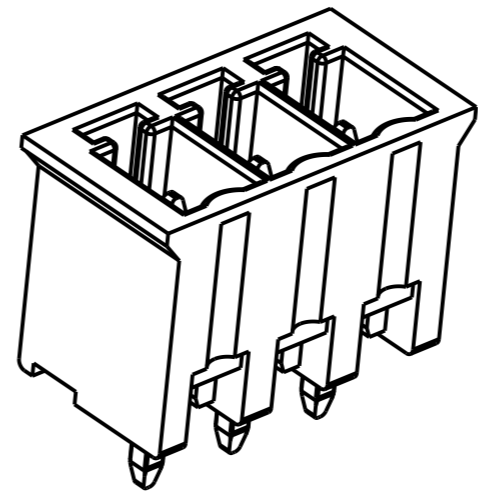
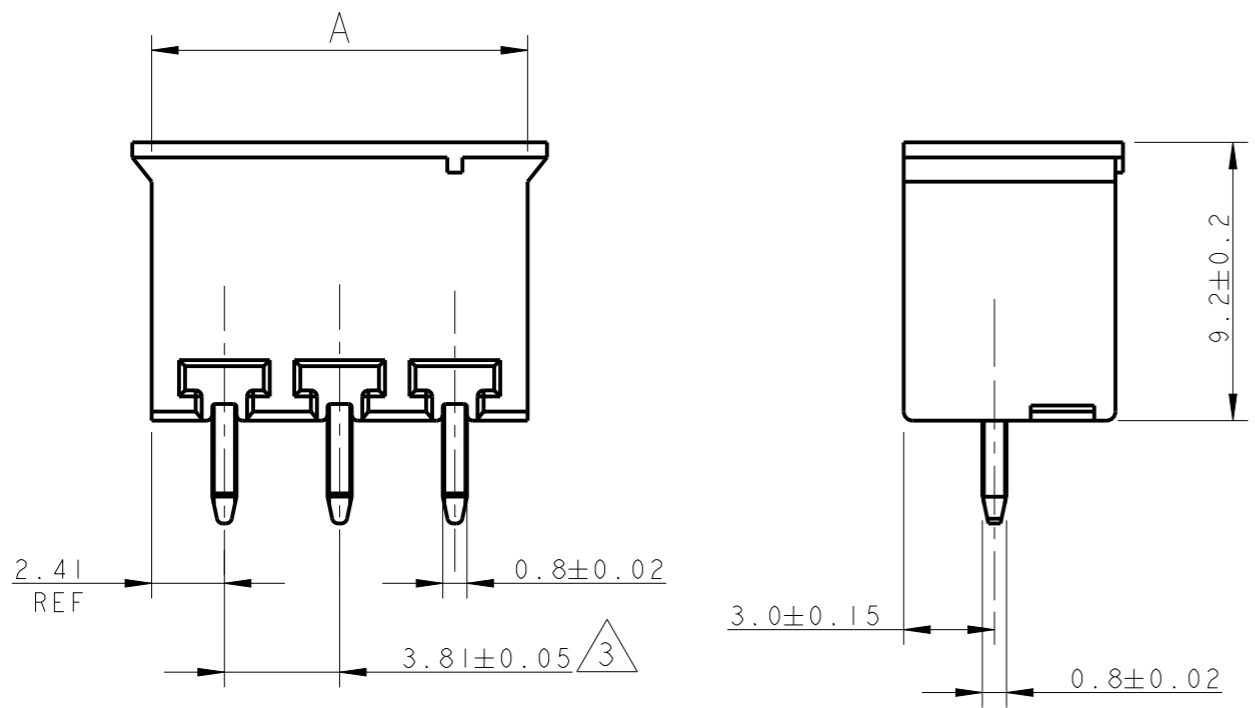
3

2

1

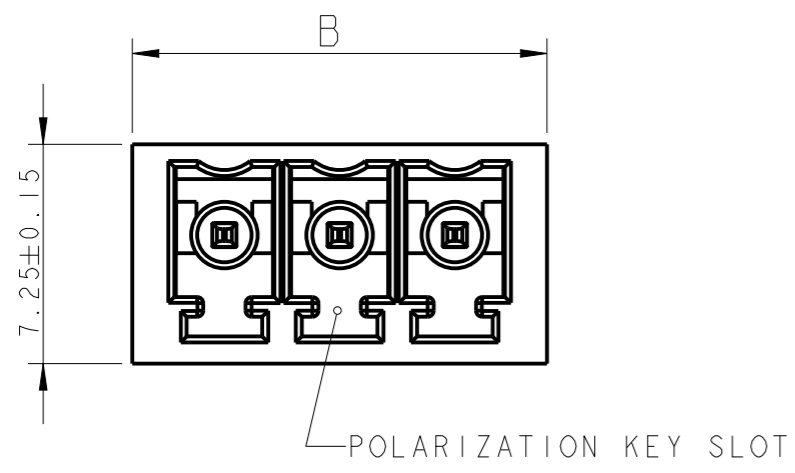
THIS DRAWING IS UNPUBLISHED. RELEASED FOR PUBLICATION 20
© COPYRIGHT 20 BY - ALL RIGHTS RESERVED.

REVISIONS					
P	LTR	DESCRIPTION	DATE	DWN	APVD
	C2	REVISED PER ECO-14-015436	13OCT2014	NK	MM

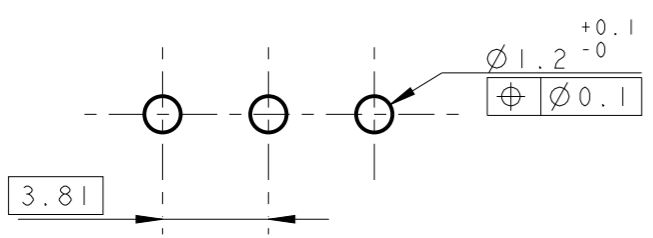


284517-3 AS SHOWN

5	4	B	A	NO OF POS	PART NUMBER
17.53	16.25	4	2-284517-6		
97.54	96.26	25	2-284517-5		
93.73	92.45	24	2-284517-4		
89.92	88.64	23	2-284517-3		
86.11	84.83	22	2-284517-2		
82.30	81.02	21	2-284517-1		
78.49	77.21	20	2-284517-0		
74.68	73.40	19	1-284517-9		
70.87	69.59	18	1-284517-8		
67.06	65.78	17	1-284517-7		
63.25	61.97	16	1-284517-6		
59.44	58.16	15	1-284517-5		
55.63	54.35	14	1-284517-4		
51.82	50.54	13	1-284517-3		
48.01	46.73	12	1-284517-2		
44.20	42.92	11	1-284517-1		
40.39	39.11	10	1-284517-0		
36.58	35.30	9	284517-9		
32.77	31.49	8	284517-8		
28.96	27.68	7	284517-7		
25.15	23.87	6	284517-6		
21.34	20.06	5	284517-5		
17.53	16.25	4	284517-4		
13.72	12.44	3	284517-3		
9.91	8.63	2	284517-2		



- 1 MATERIALS AND FINISH
HOUSING : PA 6.6, UL 94-V0, COLOR GREEN
TERMINAL : PHOSPHOR BRONZE, TIN PLATED
- 2 SUITABLE FOR 1.6-2.4 mm. PC BOARD THICKNESS
- 3 NOT CUMULATIVE TOLERANCE
- 4 HOUSING: PA 6.6, UL 94-V0, COLOR:RED
- 5 PRELIMINARY - NOT RELEASED FOR PRODUCTION



RECOMMENDED PC BOARD LAYOUT

THIS DRAWING IS A CONTROLLED DOCUMENT.		DWN E. ZANOLINI 06FEB2002	TE Connectivity	
DIMENSIONS: mm		CHK E. ZANOLINI 06FEB2002		
TOLERANCES UNLESS OTHERWISE SPECIFIED:		APVD D. BIEVENOUR 06FEB2002	NAME TERMINAL BLOCK, HEADER ASSEMBLY STRAIGHT, CLOSED ENDS 3.81mm PITCH	
0 PLC ±-		PRODUCT SPEC 108-20166	SIZE A300779	CAGE CODE C-284517
1 PLC ±0.30		APPLICATION SPEC 114-20079	DRAWING NO	RESTRICTED TO
2 PLC ±0.25		WEIGHT -	-	
3 PLC ±-		CUSTOMER DRAWING	SCALE 4:1	SHEET 1 OF 1
4 PLC ±-				REV C2
ANGLES ±2°				
MATERIAL	FINISH			

X-ON Electronics

Largest Supplier of Electrical and Electronic Components

Click to view similar products for [Pluggable Terminal Blocks](#) category:

Click to view products by [TE Connectivity](#) manufacturer:

Other Similar products are found below :

[57.510.0053](#) [MC 1.5/ 6-ST-3.5 GY AU](#) [734-104](#) [734-302](#) [8-141-P](#) [8426620000](#) [860505](#) [860516](#) [860810](#) [GBPACX-12](#) [93.731.4953.0](#) [PV05-5,08-K](#) [PVP02-5,00](#) [PVP03-3,50](#) [PVP04-3,50](#) [PVS02-5,00](#) [1-1986160-3](#) [1377680000](#) [1531000000](#) [1546228-5](#) [ELFH16150](#) [ELFP03110](#) [ELFP10210](#) [ELFT06250](#) [ELVP03100](#) [1700101](#) [1700410](#) [1700425](#) [1702246](#) [1705229](#) [1710175](#) [1714537](#) [1717806](#) [1719600](#) [1728941](#) [1734692](#) [1734795](#) [1736036](#) [1740194](#) [1740291](#) [1740628](#) [1740990](#) [1746952](#) [1750207](#) [1752441](#) [1752865](#) [1754115](#) [1754144](#) [1756913](#) [1760051](#)