

THIS DRAWING IS UNPUBLISHED.

RELEASED FOR PUBLICATION

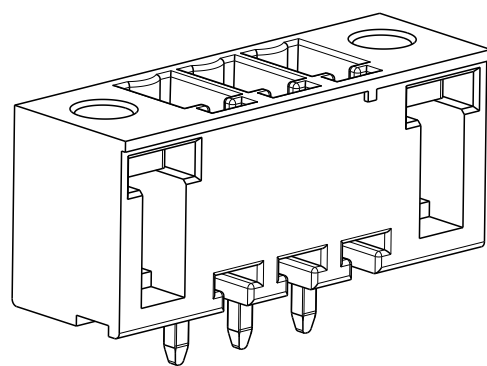
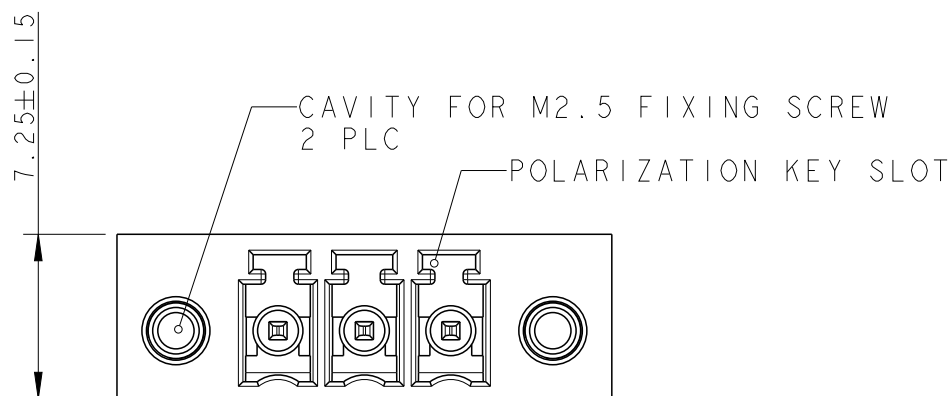
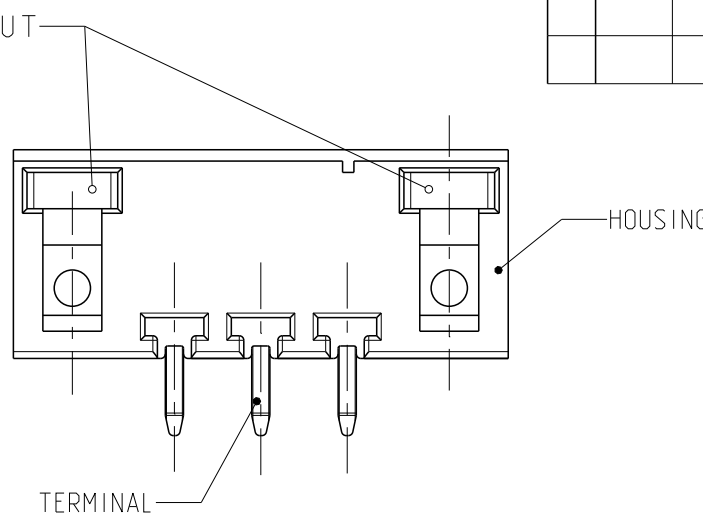
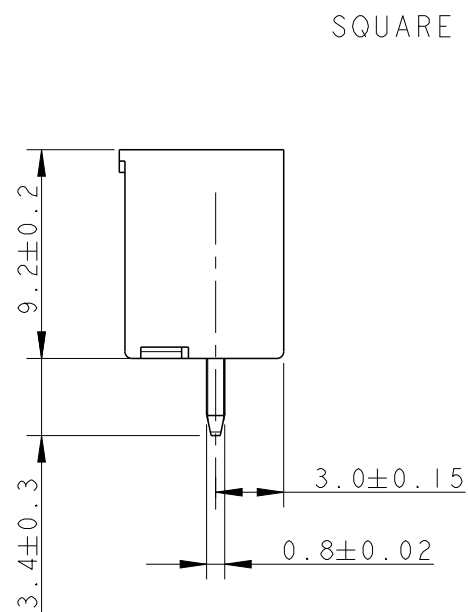
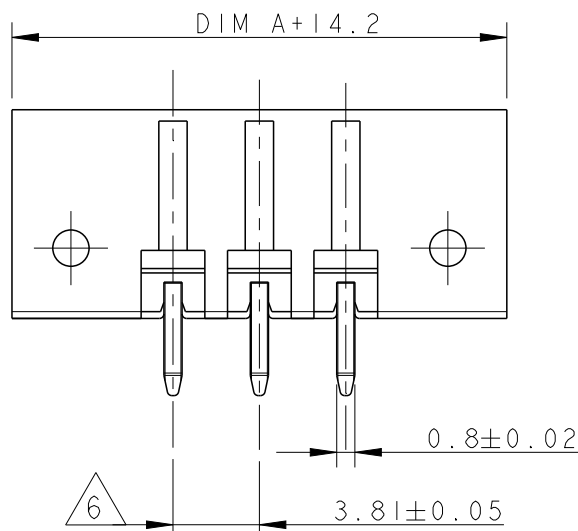
20

© COPYRIGHT 20 BY -

ALL RIGHTS RESERVED.

REVISIONS

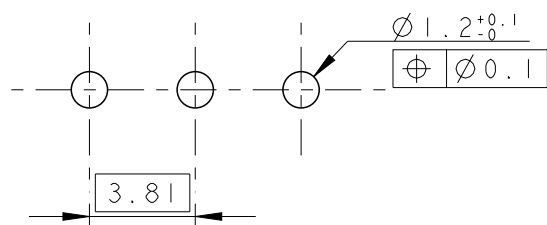
P	LTR	DESCRIPTION	DATE	DWN	APVD
	B2	SQUARE NUT PART INFORMATION ADDED	11MAY2018	RK	PS



284519-3 AS SHOWN

OBSOLETE	83.82	23	<del>2-284519-3</del>
	80.01	22	2-284519-2
	76.20	21	2-284519-1
	72.39	20	2-284519-0
	68.58	19	1-284519-9
	64.77	18	1-284519-8
	60.96	17	1-284519-7
	57.15	16	1-284519-6
OBSOLETE	53.34	15	1-284519-5
	49.53	14	1-284519-4
	45.72	13	1-284519-3
	41.91	12	1-284519-2
	38.10	11	1-284519-1
	34.29	10	1-284519-0
	30.48	9	284519-9
	26.67	8	284519-8
	22.86	7	284519-7
	19.05	6	284519-6
	15.24	5	284519-5
	11.43	4	284519-4
	7.62	3	284519-3
	3.81	2	284519-2
	DIM A	NO OF POS	PART NUMBER

RECOMMENDED PC BOARD LAYOUT



THIS DRAWING IS A CONTROLLED DOCUMENT.

DWN: 07FEB2002, E. ZANOLINI  
 CHK: 07FEB2002, E. ZANOLINI  
 APVD: 07FEB2002, D. BIEVENOUR

PRODUCT SPEC: -  
 APPLICATION SPEC: -  
 WEIGHT: -

**STE** TE Connectivity

NAME: TERMINAL BLOCK HEADER ASSEMBLY STRAIGHT, 3.81mm PITCH WITH THREADED FLANGE

SIZE: A300779, CAGE CODE: C-284519, DRAWING NO: -

RESTRICTED TO: -

CUSTOMER DRAWING, SCALE: 3:1, SHEET: 1 OF 2, REV: B2

THIS DRAWING IS UNPUBLISHED.

RELEASED FOR PUBLICATION

20

© COPYRIGHT 20 BY -

ALL RIGHTS RESERVED.

REVISIONS

P	LTR	DESCRIPTION	DATE	DWN	APVD
	-	SEE SHEET 1	-	-	-

NOTES:



MATERIALS AND FINISH

HOUSING : PA 6.6, UL 94-V0, COLOR GREEN  
 TERMINAL : PHOSPHOR BRONZE, TIN PLATED  
 SQUARE NUT : BRASS, NICKEL PLATED.

2. MECHANICAL

MAX. INSERTION FORCE PER POLE : 3.0 N  
 MIN. WITHDRAWAL FORCE PER POLE : 1.5 N  
 MIN. PC BOARD HOLES DIAMETER : 1.2 mm  
 MAX. PC BOARD THICKNESS : 2.4 mm

3. ELECTRICAL

WIRE RANGE : 14-30 AWG  
 MAX. VOLTAGE : 300 V  
 MAX CURRENT : 11 A  
 CONTACT RESISTANCE : <15 m Ohm  
 INSULATION RESISTANCE : >1000 M Ohm (500V DC)

4. OPERATING TEMPERATURE RANGE: -40°C TO +110°C

5. CONNECTOR ASSEMBLY INCLUDED 2 SQUARE NUTS LOADED IN CAVITY



NOT CUMULATIVE TOLERANCE

THIS DRAWING IS A CONTROLLED DOCUMENT.

DWN 07FEB2002  
E. ZANOLINI

CHK 07FEB2002  
E. ZANOLINI

APVD 07FEB2002  
D. BIEVENOUR

PRODUCT SPEC

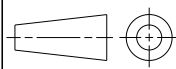
APPLICATION SPEC

WEIGHT -

CUSTOMER DRAWING

DIMENSIONS:

mm



TOLERANCES UNLESS OTHERWISE SPECIFIED:

0 PLC ±  
 1 PLC ±0.3  
 2 PLC ±0.25  
 3 PLC ±  
 4 PLC ±  
 ANGLES ±2

MATERIAL



FINISH



TE Connectivity

NAME  
 TERMINAL BLOCK HEADER ASSEMBLY  
 STRAIGHT, 3.81mm PITCH  
 WITH THREADED FLANGE

SIZE CAGE CODE DRAWING NO RESTRICTED TO

A300779 C-284519

SCALE 3:1 SHEET 2 OF 2 REV B2

## X-ON Electronics

Largest Supplier of Electrical and Electronic Components

*Click to view similar products for [Pluggable Terminal Blocks](#) category:*

*Click to view products by [TE Connectivity](#) manufacturer:*

Other Similar products are found below :

[57.510.0053](#) [MC 1.5/ 6-ST-3.5 GY AU](#) [ET02015000J0G](#) [734-104](#) [734-302](#) [8-141-P](#) [8426620000](#) [860505](#) [860516](#) [860810](#) [GBPACX-12](#)  
[93.731.4953.0](#) [PV05-5,08-K](#) [PVP03-3,50](#) [PVP04-3,50](#) [PVS02-5,00](#) [1-1986160-3](#) [1377680000](#) [1531000000](#) [1546228-5](#) [ELFH16150](#)  
[ELFP03110](#) [ELFP10210](#) [ELFT06250](#) [ELVP03100](#) [1700101](#) [1700410](#) [1700425](#) [1702246](#) [1705229](#) [1710175](#) [1714537](#) [1717806](#) [1719600](#)  
[1728941](#) [1734692](#) [1734795](#) [1736036](#) [1740194](#) [1740628](#) [1740990](#) [1746952](#) [1750207](#) [1752441](#) [1752865](#) [1754115](#) [1754144](#) [1756913](#)  
[1760051](#) [1760336](#)