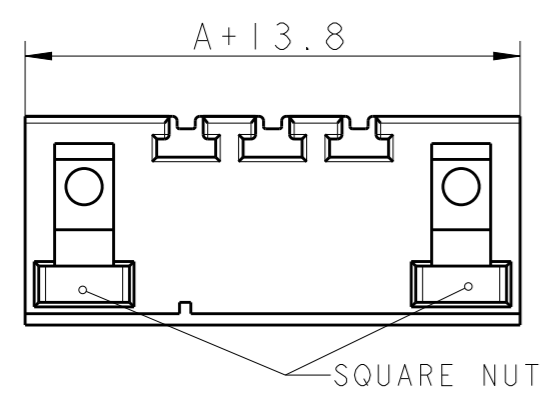
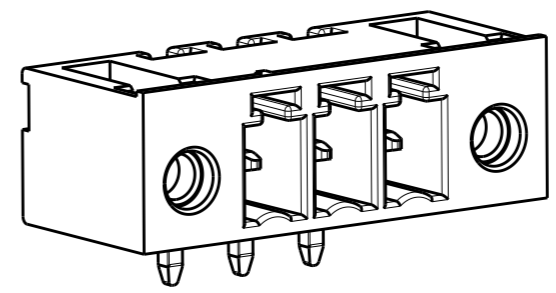
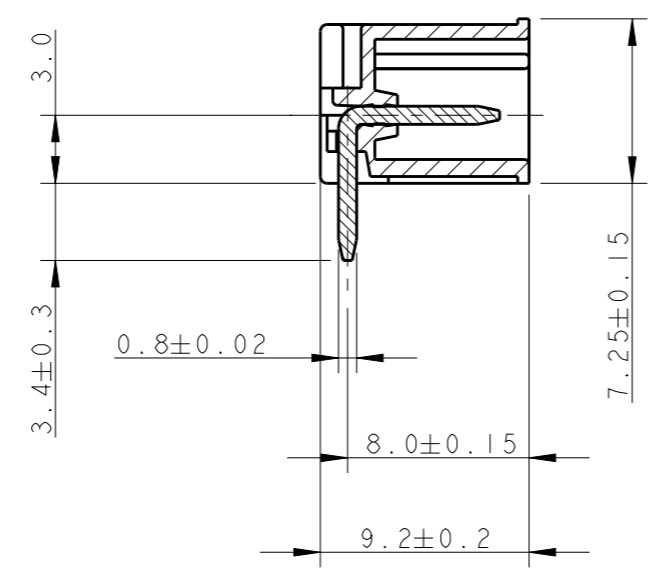
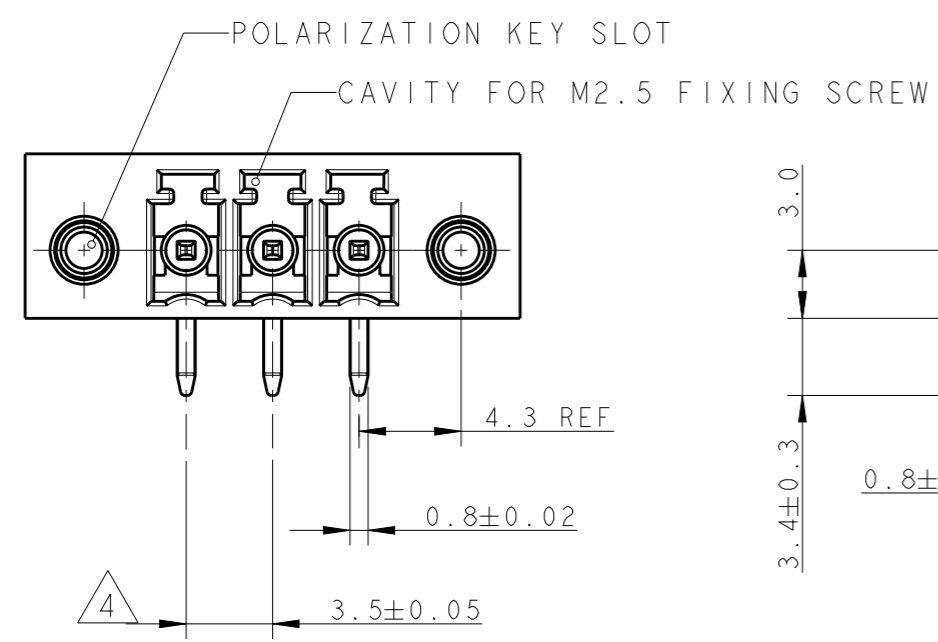


THIS DRAWING IS UNPUBLISHED. RELEASED FOR PUBLICATION 20  
 © COPYRIGHT 20 BY - ALL RIGHTS RESERVED.

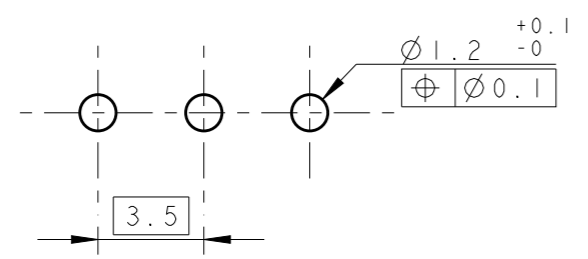
| LOC | DIST | REVISIONS   |                           |           |       |
|-----|------|-------------|---------------------------|-----------|-------|
| P   | LTR  | DESCRIPTION | DATE                      | DWN       | APVD  |
| FT  | 0    | B2          | REVISED PER ECO-12-015027 | 21AUG2012 | KH MB |



- 1 MATERIALS AND FINISH  
 HOUSING : PA 6.6, UL 94-V0, COLOR GREEN  
 TERMINAL : PHOSPHOR BRONZE, TIN PLATED  
 SQUARE NUT-CuZn42 ALLOY
- 2 CONNECTOR ASSEMBLY INCLUDED 2 SQUARE NUTS LOADED IN CAVITY.
- 3 SUITABLE FOR 1.6-2.4 mm. PC BOARD THICKNESS.
- 4 NOT CUMULATIVE TOLERANCE.
- 5 ADDITIONAL SQURE NUTS INCLUDED.
- 6 PACKAGED IN A BAG.

| DIM A | NO OF POS | PART NUMBER |
|-------|-----------|-------------|
| 77.0  | 23        | 2-284539-3  |
| 73.5  | 22        | 2-284539-2  |
| 70.0  | 21        | 2-284539-1  |
| 66.5  | 20        | 2-284539-0  |
| 63.0  | 19        | 1-284539-9  |
| 59.5  | 18        | 1-284539-8  |
| 56.0  | 17        | 1-284539-7  |
| 52.5  | 16        | 1-284539-6  |
| 49.0  | 15        | 1-284539-5  |
| 45.5  | 14        | 1-284539-4  |
| 42.0  | 13        | 1-284539-3  |
| 38.5  | 12        | 1-284539-2  |
| 35.0  | 11        | 1-284539-1  |
| 31.5  | 10        | 1-284539-0  |
| 28.0  | 9         | 284539-9    |
| 24.5  | 8         | 284539-8    |
| 21.0  | 7         | 284539-7    |
| 17.5  | 6         | 284539-6    |
| 14.0  | 5         | 284539-5    |
| 10.5  | 4         | 284539-4    |
| 7.0   | 3         | 284539-3    |
| 3.5   | 2         | 284539-2    |

RECOMMENDED PC BOARD LAYOUT



THIS DRAWING IS A CONTROLLED DOCUMENT.

|                |  |   |  |
|----------------|--|---|--|
| DIMENSIONS: mm | TOLERANCES UNLESS OTHERWISE SPECIFIED:<br>0 PLC ±.<br>1 PLC ±.3<br>2 PLC ±.25<br>3 PLC ±.<br>4 PLC ±.<br>ANGLES ±2 | DWN E. ZANOLINI 07FEB2002<br>CHK E. ZANOLINI 07FEB2002<br>APVD D. BIEVENOUR 07FEB2002<br>PRODUCT SPEC 108-20166<br>APPLICATION SPEC 114-20079<br>MATERIAL<br>FINISH | TE Connectivity<br>NAME: TERMINAL BLOCK, HEADER ASSEMBLY<br>90 DEG 3.5mm PITCH WITH THREADED FLANGE<br>SIZE: A300779 CAGE CODE: C-284539<br>DRAWING NO: 284539<br>RESTRICTED TO: -<br>SCALE: 3:1 SHEET 1 OF 1 REV B2 |
|----------------|--|---|--|

Customer Drawing

## X-ON Electronics

Largest Supplier of Electrical and Electronic Components

*Click to view similar products for [Pluggable Terminal Blocks](#) category:*

*Click to view products by [TE Connectivity](#) manufacturer:*

Other Similar products are found below :

[57.510.0053](#) [MC 1.5/ 6-ST-3.5 GY AU](#) [ET02015000J0G](#) [734-104](#) [734-302](#) [8-141-P](#) [8426620000](#) [860505](#) [860516](#) [860810](#) [GBPACX-12](#)  
[93.731.4953.0](#) [PV05-5,08-K](#) [PVP03-3,50](#) [PVP04-3,50](#) [PVS02-5,00](#) [1-1986160-3](#) [1377680000](#) [1531000000](#) [1546228-5](#) [ELFH16150](#)  
[ELFP03110](#) [ELFP10210](#) [ELFT06250](#) [ELVP03100](#) [1700101](#) [1700410](#) [1700425](#) [1702246](#) [1705229](#) [1710175](#) [1714537](#) [1717806](#) [1719600](#)  
[1728941](#) [1734692](#) [1734795](#) [1736036](#) [1740194](#) [1740628](#) [1740990](#) [1746952](#) [1750207](#) [1752441](#) [1752865](#) [1754115](#) [1754144](#) [1756913](#)  
[1760051](#) [1760336](#)