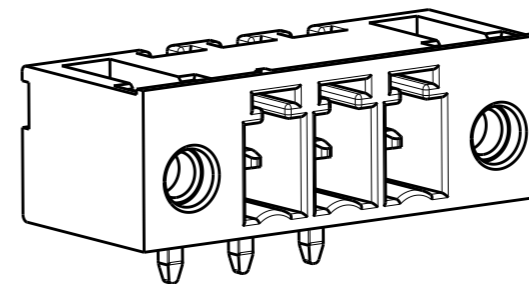
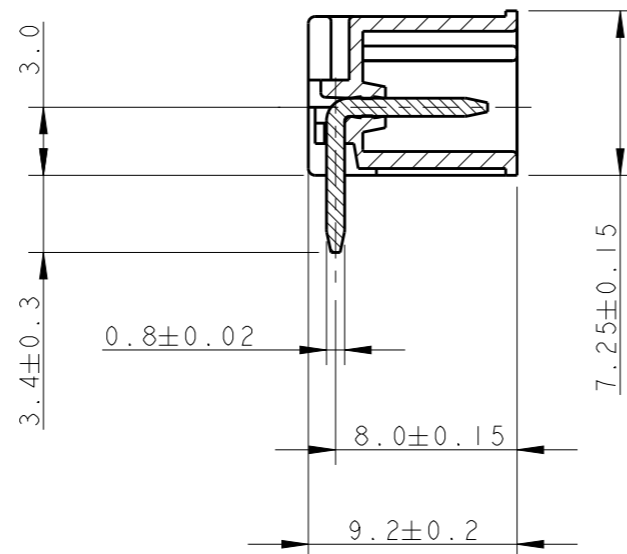
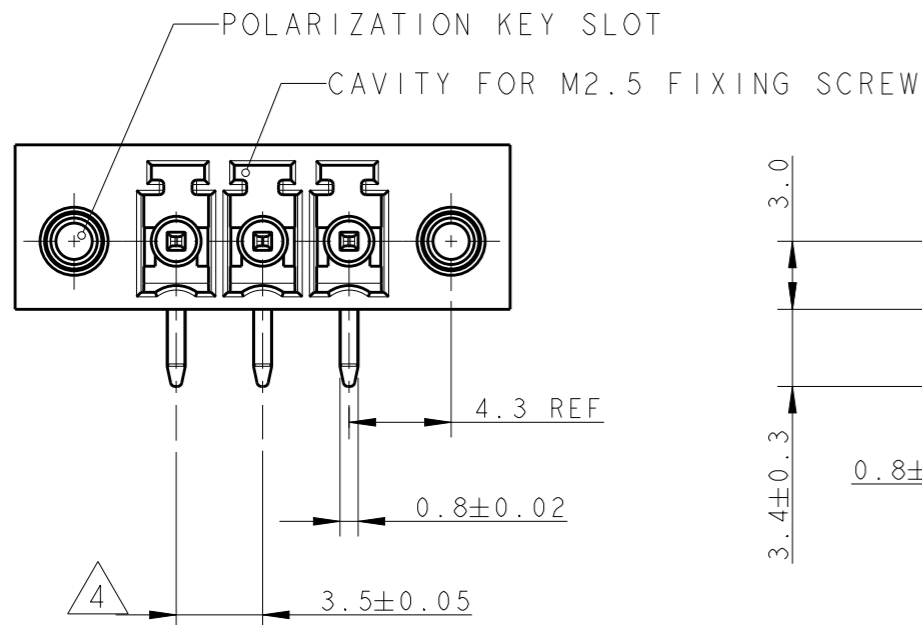
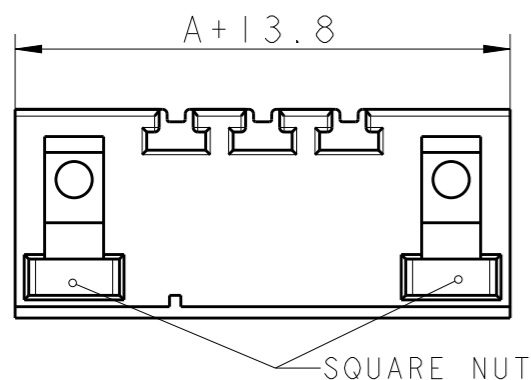


THIS DRAWING IS UNPUBLISHED. RELEASED FOR PUBLICATION 20  
 © COPYRIGHT 20 BY - ALL RIGHTS RESERVED.

LOC	DIST	REVISIONS				
P	LTR	DESCRIPTION	DATE	DWN	APVD	
		B2	REVISED PER ECO-12-015027	21AUG2012	KH MB	

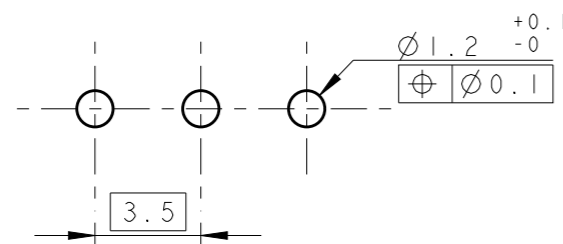





DIM A	NO OF POS	PART NUMBER
77.0	23	2-284539-3
73.5	22	2-284539-2
70.0	21	2-284539-1
66.5	20	2-284539-0
63.0	19	1-284539-9
59.5	18	1-284539-8
56.0	17	1-284539-7
52.5	16	1-284539-6
49.0	15	1-284539-5
45.5	14	1-284539-4
42.0	13	1-284539-3
38.5	12	1-284539-2
35.0	11	1-284539-1
31.5	10	1-284539-0
28.0	9	284539-9
24.5	8	284539-8
21.0	7	284539-7
17.5	6	284539-6
14.0	5	284539-5
10.5	4	284539-4
7.0	3	284539-3
3.5	2	284539-2



- 1 MATERIALS AND FINISH  
 HOUSING : PA 6.6, UL 94-V0, COLOR GREEN  
 TERMINAL : PHOSPHOR BRONZE, TIN PLATED  
 SQUARE NUT-CuZn42 ALLOY
- 2 CONNECTOR ASSEMBLY INCLUDED 2 SQUARE NUTS LOADED IN CAVITY.
- 3 SUITABLE FOR 1.6-2.4 mm. PC BOARD THICKNESS.
- 4 NOT CUMULATIVE TOLERANCE.
- 5 ADDITIONAL SQUQRE NUTS INCLUDED.
- 6 PACKAGED IN A BAG.

RECOMMENDED PC BOARD LAYOUT



THIS DRAWING IS A CONTROLLED DOCUMENT.		DWN E. ZANOLINI 07FEB2002	 TE Connectivity	
DIMENSIONS: mm		CHK E. ZANOLINI 07FEB2002		
TOLERANCES UNLESS OTHERWISE SPECIFIED:		APVD D. BIEVENOUR 07FEB2002	NAME TERMINAL BLOCK, HEADER ASSEMBLY 90 DEG 3.5mm PITCH WITH THREADED FLANGE	
0 PLC ±- 1 PLC ±.3 2 PLC ±.25 3 PLC ±- 4 PLC ±- ANGLES ±2		PRODUCT SPEC 108-20166	SIZE A300779	CAGE CODE C-284539
MATERIAL		FINISH	APPLICATION SPEC 114-20079	DRAWING NO
			WEIGHT -	RESTRICTED TO -
Customer Drawing			SCALE 3:1	SHEET 1 OF 1
				REV B2

## X-ON Electronics

Largest Supplier of Electrical and Electronic Components

*Click to view similar products for [Pluggable Terminal Blocks](#) category:*

*Click to view products by [TE Connectivity](#) manufacturer:*

Other Similar products are found below :

[57.510.0053](#) [MC 1.5/ 6-ST-3.5 GY AU](#) [734-104](#) [734-302](#) [8-141-P](#) [8426620000](#) [860505](#) [860516](#) [860810](#) [GBPACX-12](#) [93.731.4953.0](#) [PV05-5,08-K](#) [PVP02-5,00](#) [PVP03-3,50](#) [PVP04-3,50](#) [PVS02-5,00](#) [1-1986160-3](#) [1377680000](#) [1531000000](#) [1546228-5](#) [ELFH16150](#) [ELFP03110](#) [ELFP10210](#) [ELFT06250](#) [ELVP03100](#) [1700101](#) [1700410](#) [1700425](#) [1702246](#) [1705229](#) [1710175](#) [1714537](#) [1717806](#) [1719600](#) [1728941](#) [1734692](#) [1734795](#) [1736036](#) [1740194](#) [1740291](#) [1740628](#) [1740990](#) [1746952](#) [1750207](#) [1752441](#) [1752865](#) [1754115](#) [1754144](#) [1756913](#) [1760051](#)