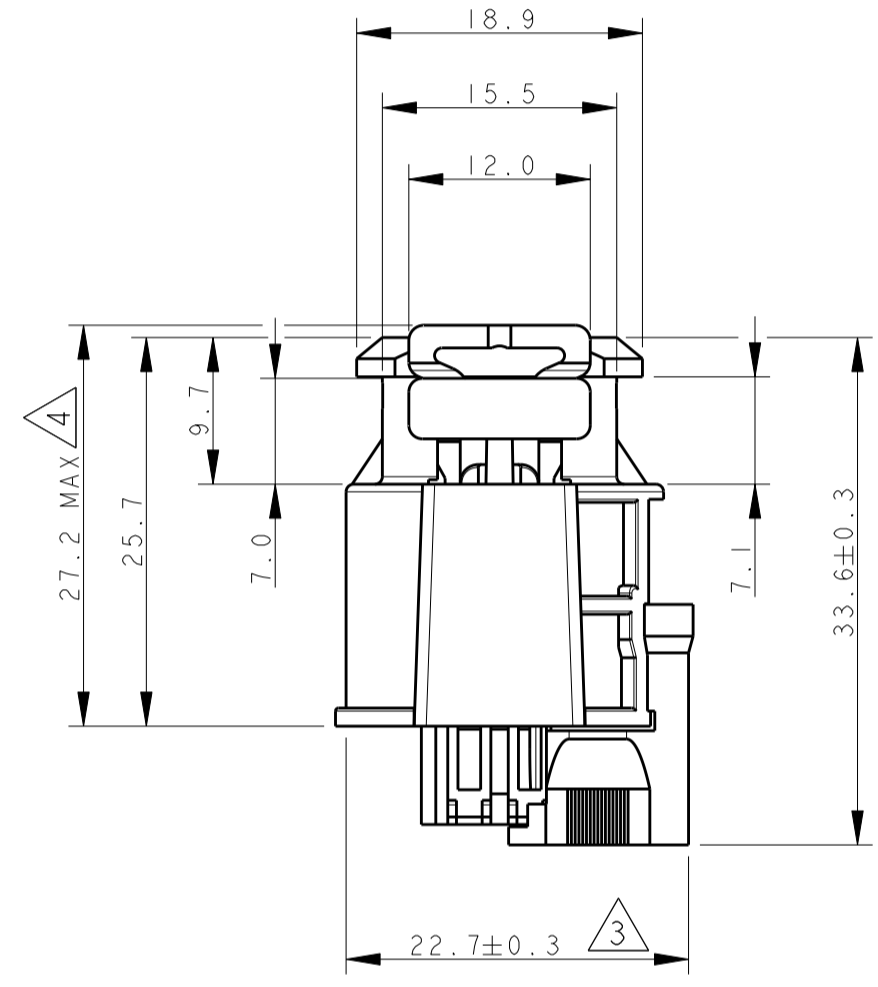
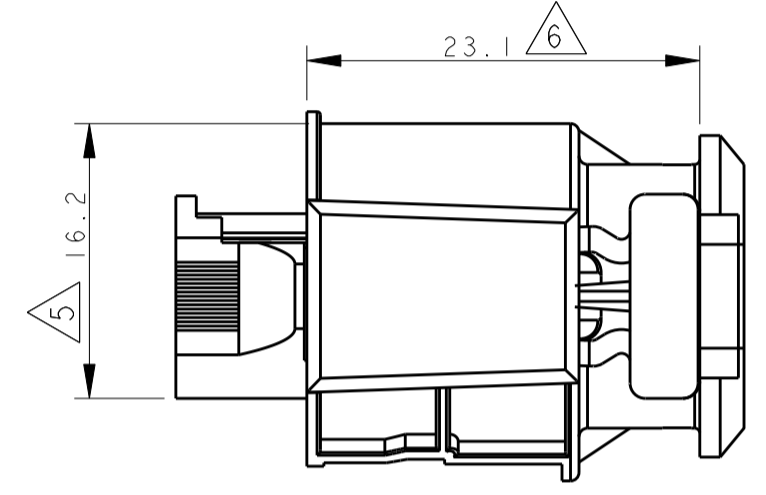
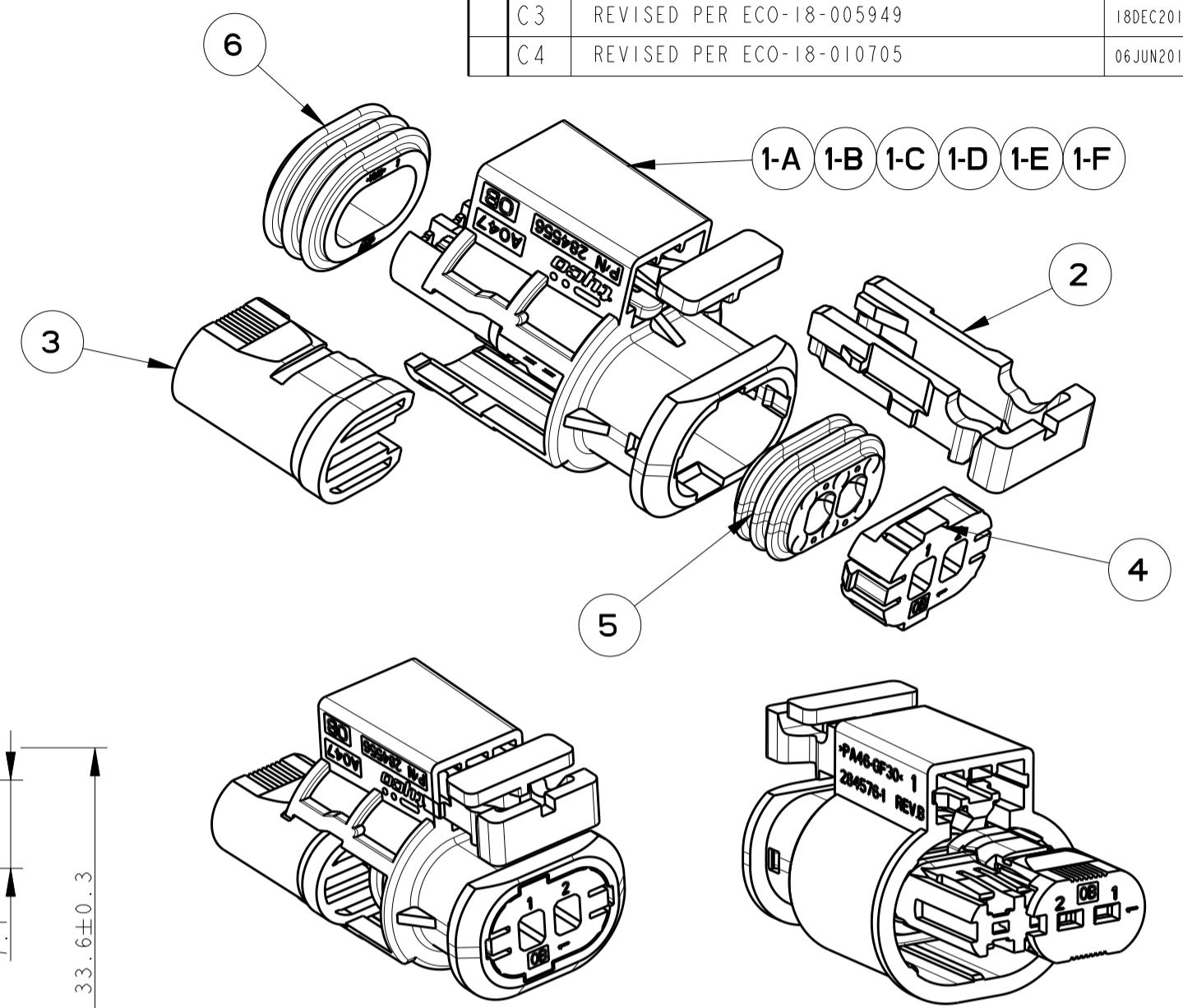
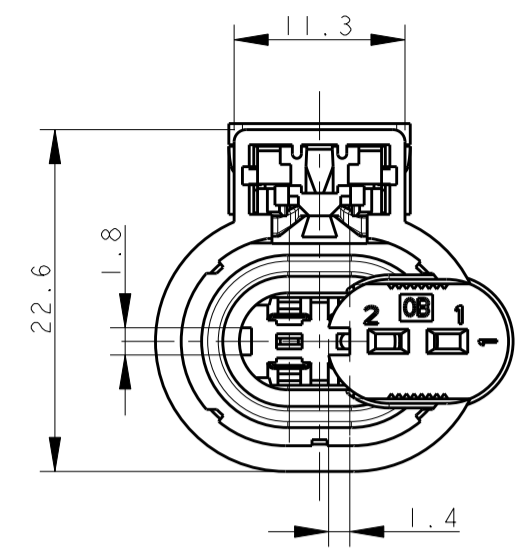
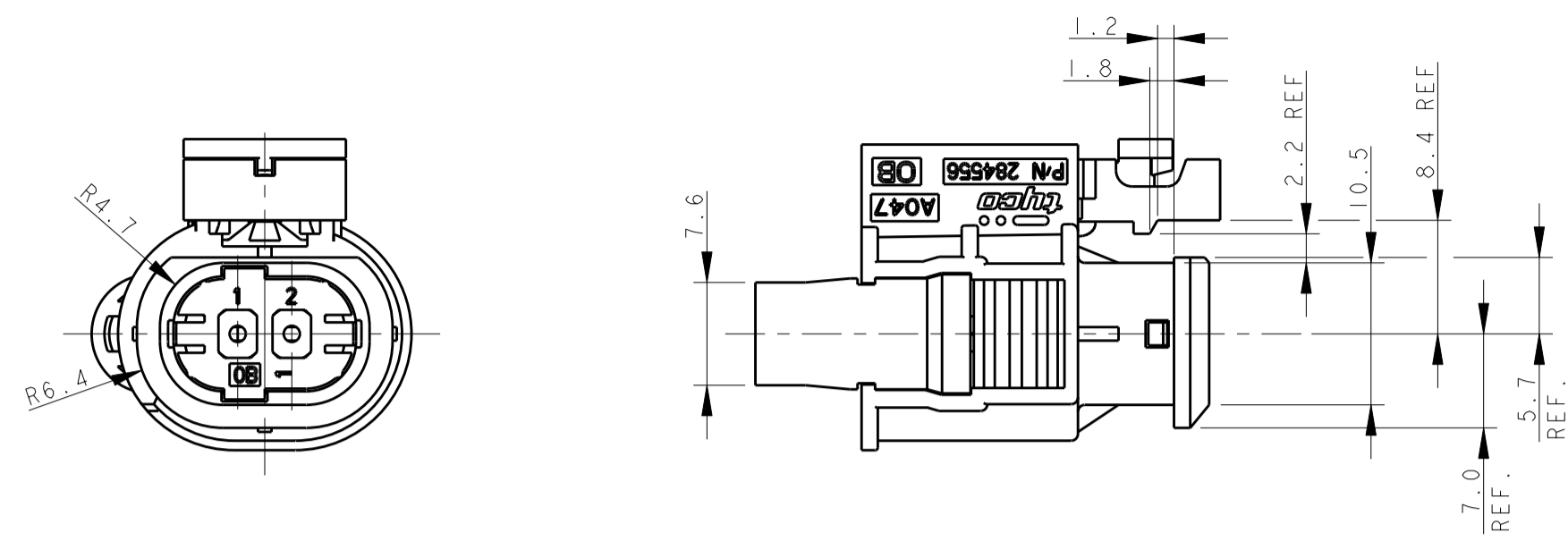


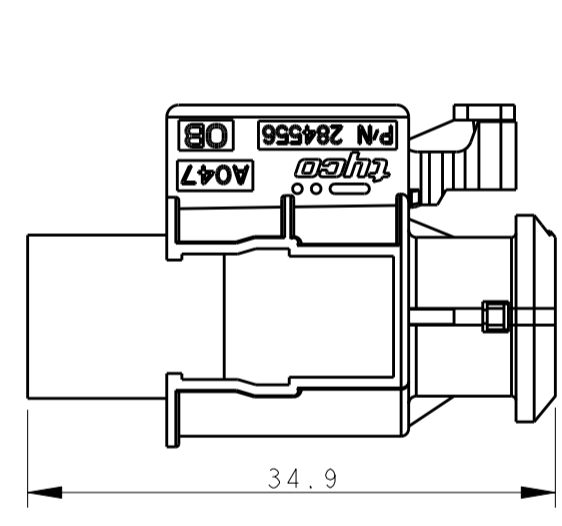
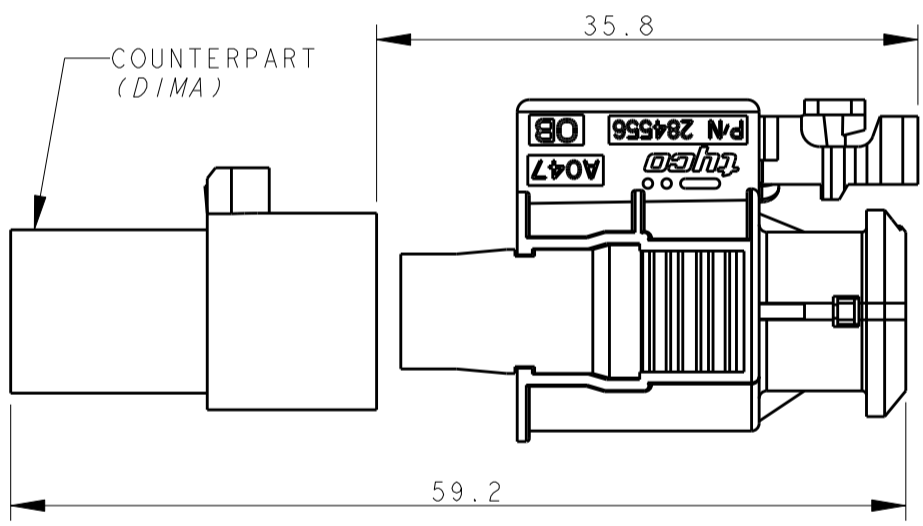
THIS DRAWING IS UNPUBLISHED. RELEASED FOR PUBLICATION 2009
 © COPYRIGHT 2009 BY - ALL RIGHTS RESERVED.

LOC		DIST		REVISIONS			
P	LTR	DESCRIPTION	DATE	DWN	APVD		
C1		ECR-15-011013	29JUL2015	M.P.	M.G.		
C2		REVISED PER ECO-17-001706	10FEB2017	C.A.	M.G.		
C3		REVISED PER ECO-18-005949	18DEC2017	AP	MG		
C4		REVISED PER ECO-18-010705	06JUN2018	AP	VN		



DIMENSIONS OF MATING SPACE WITH COUNTERPART
(QUOTA DI INGOMBRO PER ACCOPPIAMENTO CON DIMA)

DIMENSION FOR FINAL MATING SPACE
(QUOTA DI INGOMBRO FINALE)



- 1) ALL CAVITIES ARE SUITABLE FOR RECEPTACLE CONTACTS:
 SENSOR FLAT CONTACT P/N 929025-1, WIRE RANGE FROM 1.5 TO 2.0 mm²
 SENSOR FLAT CONTACT P/N 929027-1, WIRE RANGE FROM 0.75 TO 1.0 mm²
 BOTH CONTACTS ARE GOLD PLATED IN CONTACT AREA
 FOR MINIMUM ACCEPTABLE CABLE INSULATION DIAMETER SEE SEALING PERFORMANCES SECTION ON PRODUCT SPECIFICATION N. 108-20207
 SEE APPLICATION SPEC. 114-18254 FOR CORRECT WIRE CRIMPING PARAMETERS
 (LE CAVITA' SONO ADATTE PER CONTATTI:
 SENSOR FLAT CONTACT P/N 929025-1, RANGO FILO DA 1.5 A 2.0 mm²
 SENSOR FLAT CONTACT P/N 929027-1, RANGO FILO DA 0.75 A 1.0 mm²
 ENTRAMBI I CONTATTI SONO DORATI NELLA ZONA DI CONTATTO
 PER IL MINIMO DIAMETRO ACCETTABILE DELL'ISOLANTE VEDI PARAGRAFO 'SEALING PERFORMANCES' SU SPECIFICA DI PRODOTTO N. 108-20207.
 VEDI SPECIFICA DI APPLICAZIONE N. 114-18254 PER LA CORRETTA AGGRAFFATURA DEL CAVO)
- 2) FOR COUNTERPART INTERFACE DRAWING SEE SHEET 2 OF 2
(PER IL DISEGNO DELLA CONTROPARTE DI INTERFACCIA VEDI FOGLIO 2 DI 2)
- 3) SECONDARY LOCK SUPPLIED IN PRE-ASSEMBLED POSITION
(AGGANCIO SECONDARIO FORNITO IN POSIZIONE PRE-ASSEMBLATA)
- 4) CPA SUPPLIED IN PRE-ASSEMBLED POSITION
(CPA FORNITO IN POSIZIONE PRE-ASSEMBLATA)
- 5) SECONDARY LOCK IN PROPER POSITION FOR MATING WITH COUNTERPART
(AGGANCIO SECONDARIO IN POSIZIONE CORRETTA PER CONNESSIONE CON CONTROPARTE)
- 6) CPA IN CLOSED POSITION, WHEN THE CONNECTOR IS PROPERLY MATED WITH COUNTERPART
(CPA IN POSIZIONE CHIUSA QUANDO IL CONNETTORE E' CORRETTAMENTE ACCOPPIATO CON CONTROPARTE)

ITEM	DESCRIPTION	MATERIAL	COLOUR	PART NUMBER AND REVISION						
				284556-1 REV. C	284556-2 REV. C	284556-3 REV. C	1-284556-1 REV. C	1-284556-2 REV. C	1-284556-3 REV. C	
1-A	2 POS. HOUSING (BLOCCETTO PORTACONTATTI 2 POSIZIONI)	PA 4.6 GF 30	BLACK (NERO)							
1-B	2 POS. HOUSING (BLOCCETTO PORTACONTATTI 2 POSIZIONI)	PA 4.6 GF 30	BROWN (MARRONE)							
1-C	2 POS. HOUSING (BLOCCETTO PORTACONTATTI 2 POSIZIONI)	PA 4.6 GF 30	GREY (GRIGIO)							
1-D	2 POS. HOUSING (BLOCCETTO PORTACONTATTI 2 POSIZIONI)	PBT GF 30	BLACK (NERO)							
1-E	2 POS. HOUSING (BLOCCETTO PORTACONTATTI 2 POSIZIONI)	PBT GF 30	BROWN (MARRONE)							
1-F	2 POS. HOUSING (BLOCCETTO PORTACONTATTI 2 POSIZIONI)	PBT GF 30	GREY (GRIGIO)							
2	CPA-CONNECTOR POSITION ASSURANCE (DISPOSITIVO CORRETTO ACCOPPIAMENTO)	PA 6.6 GF 13	YELLOW (GIALLO)							
3	SECONDARY LOCK (DISPOSITIVO AGGANCIO SECONDARIO)	PA 6.6 GF 13	RED (ROSSO)							
4	POLARIZATOR (COPERCHIO POLARIZZATORE)	PA 6.6 GF 13	BLACK (NERO)							
5	FAMILY SEAL (GUARNIZIONE MULTIPLA)	LSR	REDDISH BROWN (ROSSO MATTONE)							
6	COUPLING SEAL (GUARNIZIONE FRONTALE)	LSR	REDDISH BROWN (ROSSO MATTONE)							

THIS DRAWING IS A CONTROLLED DOCUMENT. DWN P. CASSANDRIN 24MAR99
 CHK O. CANUTO 24MAR99
 APVD -

DIMENSIONS: mm TOLERANCES UNLESS OTHERWISE SPECIFIED:
 0 PLC ±0.3
 1 PLC ±0.2
 2 PLC ±0.1
 3 PLC ±
 4 PLC ±
 ANGLES ±
 FINISH

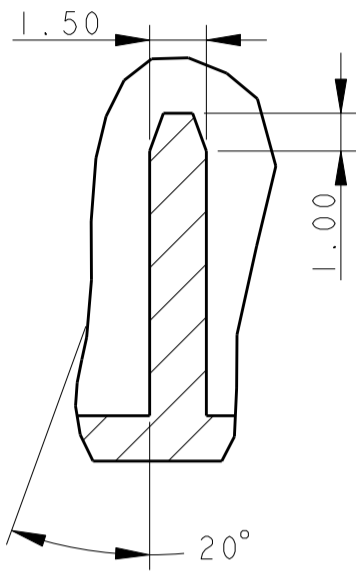
PRODUCT SPEC 108-20207
 APPLICATION SPEC 411-20059
 WEIGHT -
 CUSTOMER DRAWING

NAME 2 POSITIONS CONNECTOR FOR INJECTION COIL
 SIZE A2 CAGE CODE 0779 DRAWING NO C-284556 RESTRICTED TO
 SCALE 2:1 SHEET 1 OF 2 REV C4

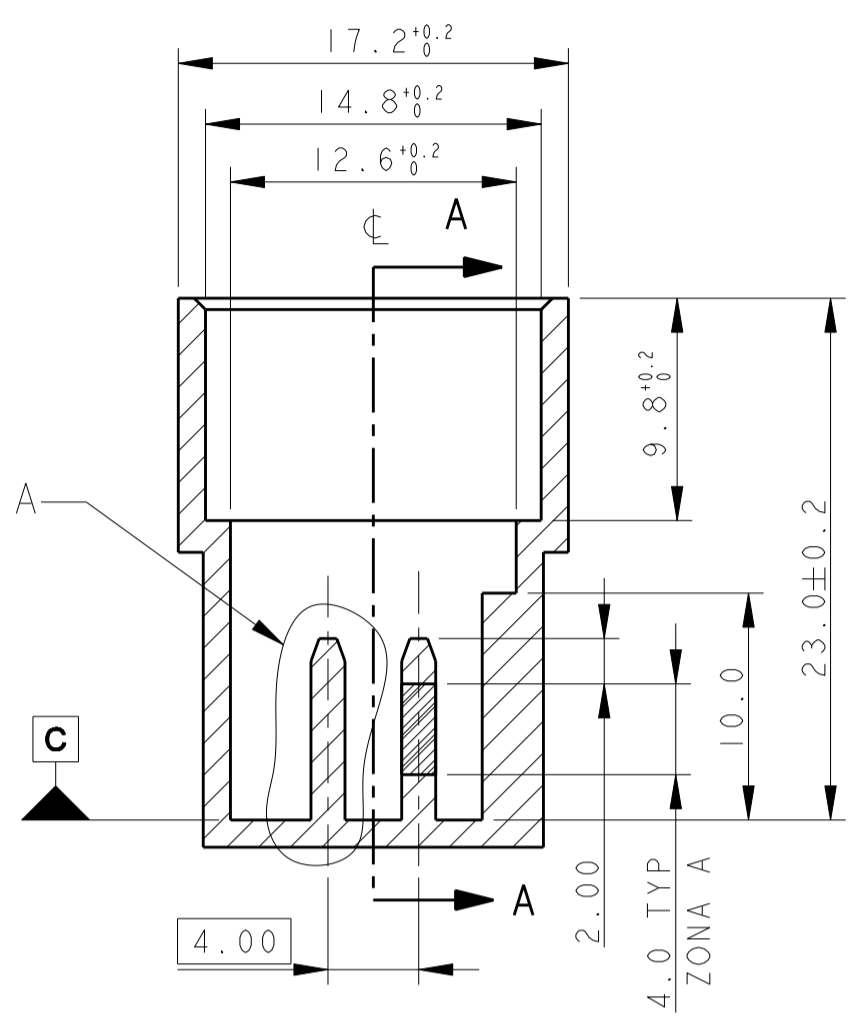
STE TE Connectivity

THIS DRAWING IS UNPUBLISHED. RELEASED FOR PUBLICATION 2009
 © COPYRIGHT 2009 BY - ALL RIGHTS RESERVED.

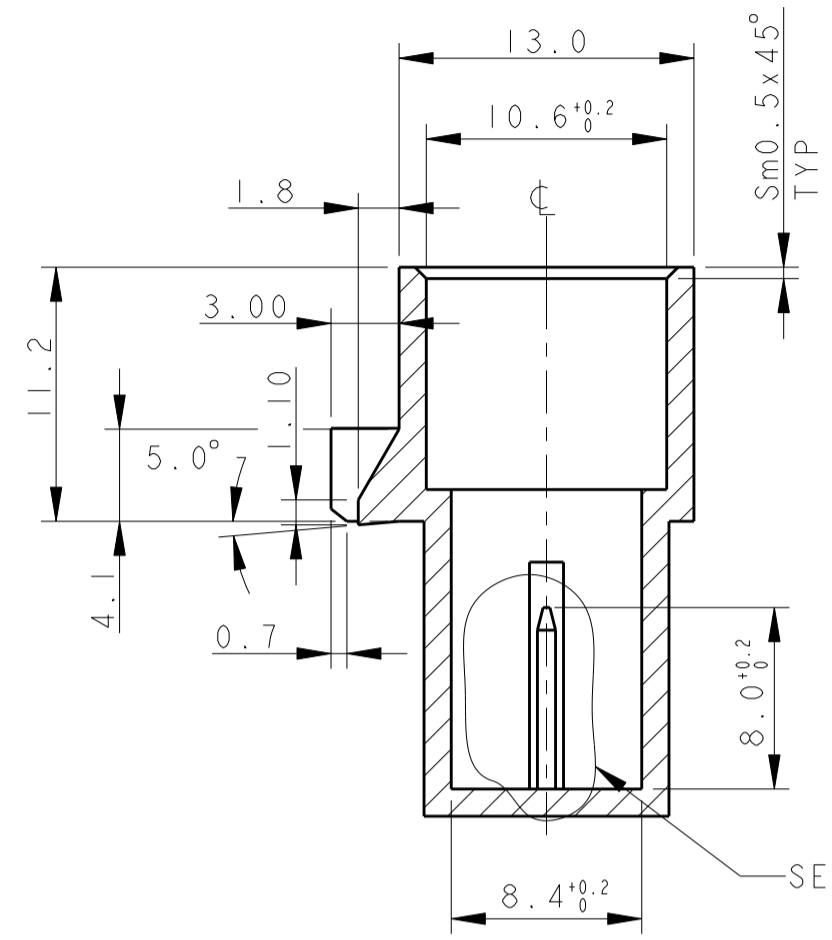
REVISIONS							
LOC	DIST	P	LTR	DESCRIPTION	DATE	DWN	APVD
		-		SEE SHEET 1			



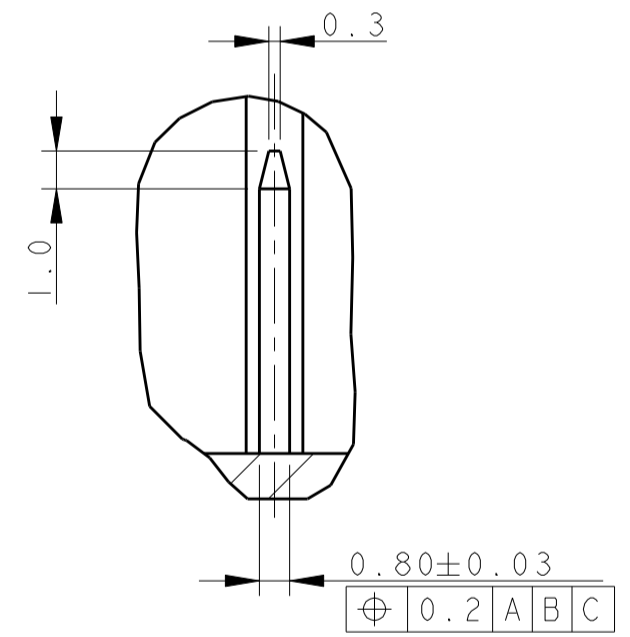
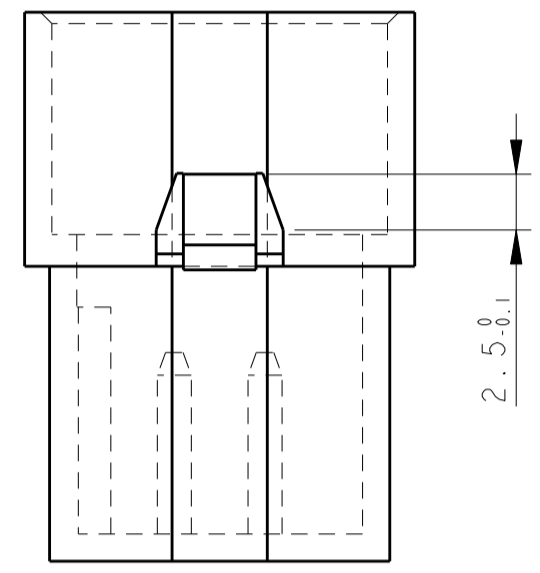
DETAIL A
SCALE 5:1



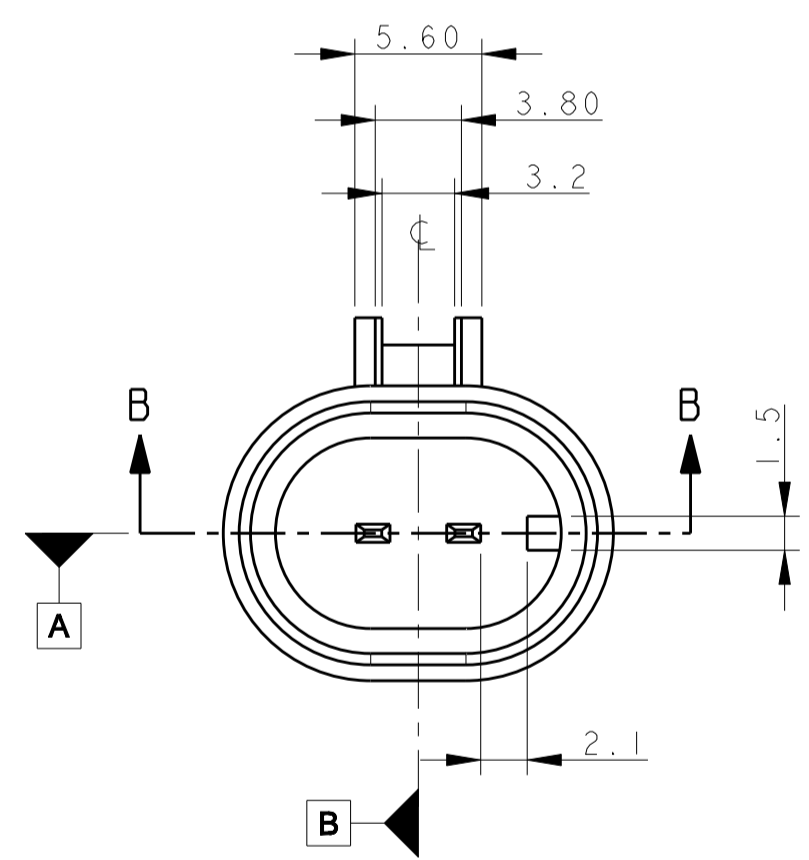
SECTION B-B



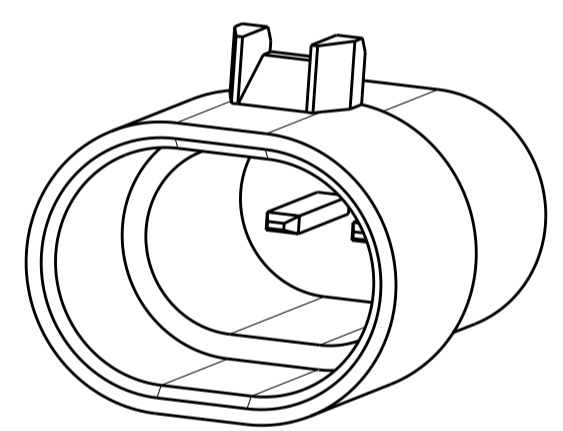
SECTION A-A



DETAIL B
SCALE 5:1



I TAB DEVONO SOPPORTARE UN CARICO DI 15 N APPLICATO COME IN FIGURA, SENZA SUBIRE, AL TERMINE DELL'APPLICAZIONE DELLA FORZA, UNA DEFORMAZIONE PERMANENTE SUPERIORE A 0,1mm IN TUTTE LE DIREZIONI. LA PROVA PREVEDE LA RIMOZIONE DELLA CORONA PLASTICA ESTERNA.
 (THE TABS MUST WITHSTAND A 15N LOAD APPLIED AS SHOWN, WITHOUT SUFFERING A PERMANENT DEFORMATION GREATER THAN 0,1mm, IN ALL DIRECTION, AFTER FORCE APPLICATION. THE PLASTIC EXTERNAL HOOD MUST BE REMOVED TO PERFORM THE TEST.)



MATERIALS:
(MATERIALI:)

- BODY IN PLASTIC MATERIAL SUITABLE FOR 150°C TEMPERATURE (CORPO IN MATERIALE PLASTICO ADATTO PER TEMPERATURA DI 150°C CONTINUATIVI)
- TABS: BRASS WITH 0.4 micron MIN GOLD IN ZONE A OVER 1.3/3.5 micron MIN NICKEL (LINGUETTE IN OTTONE DORATO 0.4 micron MIN ORO in zona A su 1.3/3.5 micron NICKEL)

THIS DRAWING IS A CONTROLLED DOCUMENT.		DWN P. CASSANDRIN 24MAR99	TE Connectivity		
		CHK O. CANUTO 24MAR99			
DIMENSIONS: mm		PRODUCT SPEC 108-20207		NAME 2 POSITIONS CONNECTOR FOR INJECTION COIL	
TOLERANCES UNLESS OTHERWISE SPECIFIED:		APVD -		RESTRICTED TO	
0 PLC ±0.3		APPLICATION SPEC 411-20059		SIZE A2	
1 PLC ±0.2		WEIGHT -		CAGE CODE A20779	
2 PLC ±0.1		CUSTOMER DRAWING		DRAWING NO C-284556	
3 PLC ±		SCALE 2:1		SHEET 2 OF 2	
4 PLC ±				REV C4	
ANGLES ±					
FINISH					

X-ON Electronics

Largest Supplier of Electrical and Electronic Components

Click to view similar products for [Automotive Connectors](#) category:

Click to view products by [TE Connectivity](#) manufacturer:

Other Similar products are found below :

[003-018-000](#) [60403001](#) [60993906-B](#) [M902-2131](#) [M902-2161](#) [72.330.1035.1](#) [73.353.4028.0](#) [F119300-B](#) [F166900](#) [F258300-B](#) [F358300-B](#)
[F407400](#) [F444110](#) [F487000](#) [F509500B-B](#) [827153-1](#) [8N1515-32-24P](#) [9-1326729-8](#) [925474-1](#) [928905-1](#) [964562-4](#) [968782-1](#) [GT17SA-8DS-](#)
[HU](#) [98891-1012](#) [98947-1016](#) [12004147](#) [12004475-L](#) [12010290](#) [12010309-B](#) [12015454](#) [12020219-B](#) [12020308](#) [12041318-B](#) [12052225-L](#)
[12052466](#) [12059125](#) [12064869](#) [12004327-B](#) [12010503-B](#) [12015308](#) [12015384](#) [12015909](#) [1-21030-1](#) [12041254](#) [12041318](#) [12047946-B](#)
[12047957](#) [12047957-L](#) [12059473](#) [12066261](#)