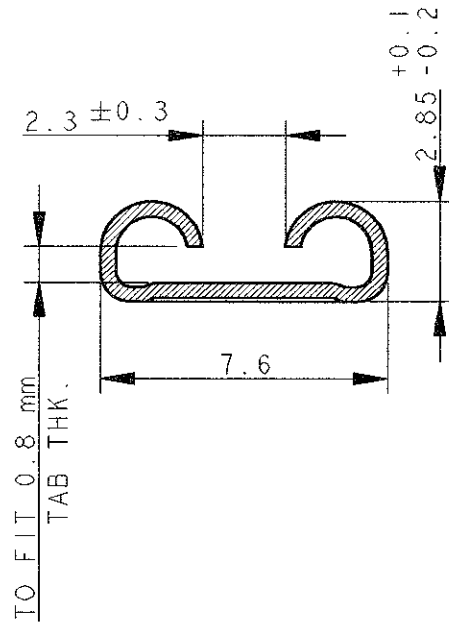
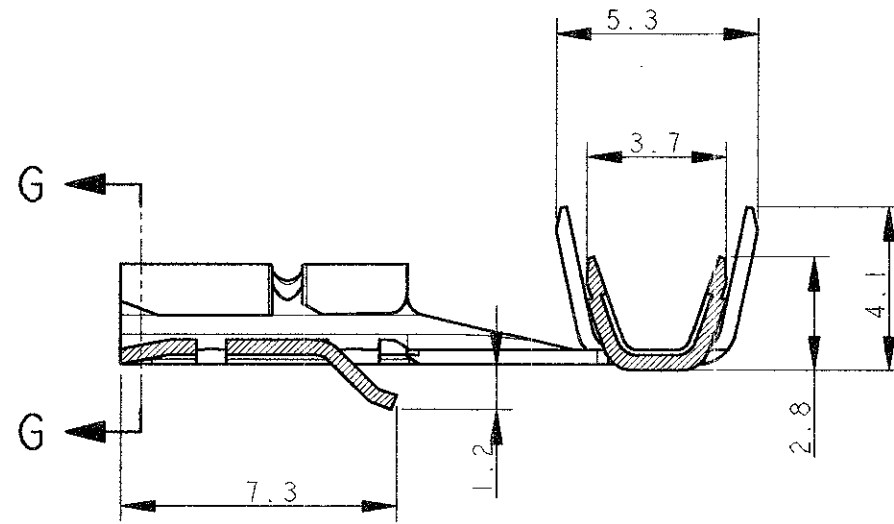


LOC	DIST	REVISIONS					
		P	LTR	DESCRIPTION	DATE	DWN	APVD
1	-	B		FIRST EMISSION FOR ET00-0225-01	14 FEB 02	H.Y. C.T.	

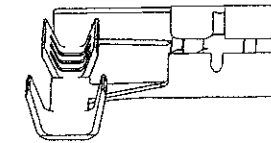
SECTION G-G



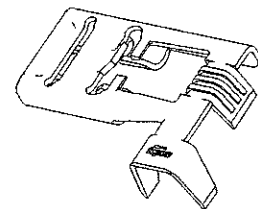
SECTION F-F



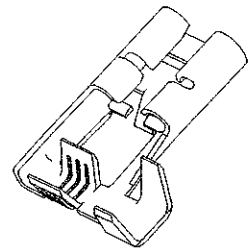
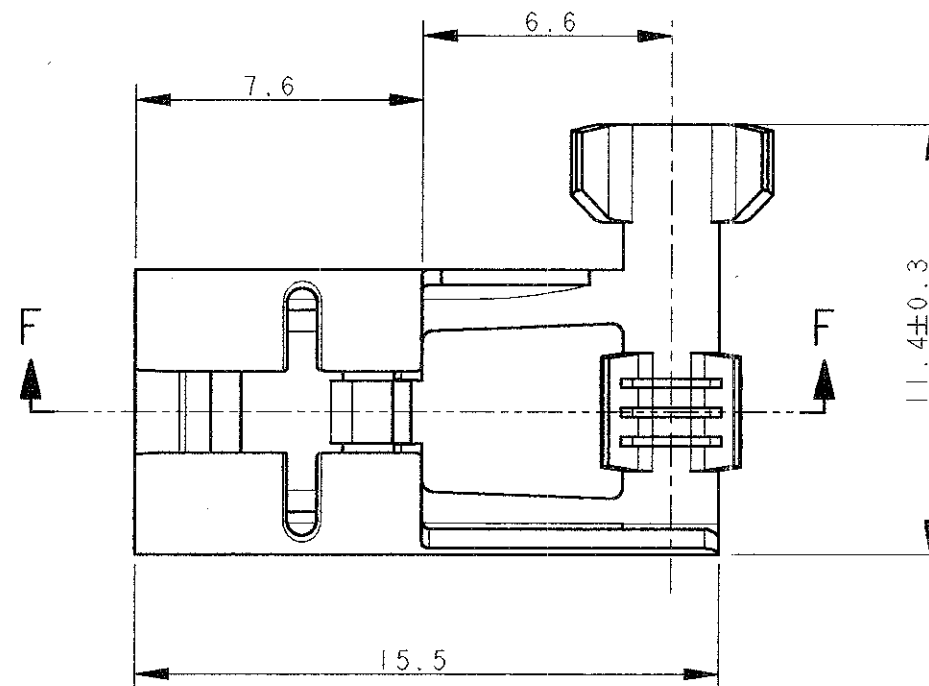
SUPPLY CONDITION  
(STATO DI FORNITURA)



DIRECTION OFF TOP OF REEL  
(SENSO DI USCITA DEL TERMINALE  
DALLA BOBINA)



SCALE 2:1



SCALE 2:1

NOT YET RELEASED  
FOR PRODUCTION

2.0-3.3	0.5-1.5	284697-1	B
INSULATION RANGE [∅ mm]	WIRE RANGE [sq mm]	AMP P/N	REV

<small>THIS DRAWING IS A CONTROLLED DOCUMENT FOR TYCO ELECTRONICS CORPORATION IT IS SUBJECT TO CHANGE AND THE CONTROLLING ENGINEERING ORGANIZATION SHOULD BE CONTACTED FOR THE LATEST REVISION.</small>		DWN H. YAALI 05OCT2001 CHK C. TARTARI APVD - PRODUCT SPEC 108-20020 APPLICATION SPEC - WEIGHT -	<b>tyco</b> <b>Electronics</b> tyco Electronics AMP Italia S.p.A. Corso F.lli Cervi, 15 COLLEGNO (TO)
DIMENSIONS: mm 	TOLERANCES UNLESS OTHERWISE SPECIFIED: 0 PLC ±0.5 1 PLC ±0.2 2 PLC ±0.1 3 PLC ±0.05 4 PLC ANGLES ±°	NAME .250" series FLAG FASTIN-FASTON REC. CONTACT (LOW PROFILE)	
MATERIAL BRASS	FINISH TIN PLT.	SIZE A3 CAGE CODE 00779 DRAWING NO C=284697	RESTRICTED TO -
CUSTOMER DRAWING		SCALE 5:1	SHEET 1 OF 1 REV B

## X-ON Electronics

Largest Supplier of Electrical and Electronic Components

*Click to view similar products for [Terminals](#) category:*

*Click to view products by [TE Connectivity](#) manufacturer:*

Other Similar products are found below :

[00-054007-01074-6](#) [00-054007-70206-1](#) [00-054007-70210-8](#) [00-054007-70217-7](#) [00-054007-70226-9](#) [00-054007-70228-3](#) [00-054007-70248-1](#) [00-054007-70256-6](#) [00-054007-70301-3](#) [00-054007-70316-7](#) [0-0320562-0](#) [00-054007-49560-4](#) [00-054007-70209-2](#) [00-054007-70225-2](#) [00-054007-70227-6](#) [00-054007-70231-3](#) [00-054007-70241-2](#) [00-054007-70242-9](#) [00-054007-70244-3](#) [00-054007-70246-7](#) [00-054007-70263-4](#) [00-054007-70288-7](#) [00-054007-70290-0](#) [00-054007-70300-6](#) [00-054007-70304-4](#) [01-2065-1-0216](#) [01-2900-1-04412](#) [00581P0075](#) [600TS-10](#) [60205-1](#) [604200-1](#) [605601-1](#) [60598-1-CUT-TAPE](#) [61314-6-C](#) [61810-3](#) [61-S](#) [61-SN](#) [626-0194](#) [62-NBM-A](#) [62-SN](#) [62-SP](#) [63-S](#) [640179-1](#) [M55155/059I03](#) [M55155/079C01](#) [M55155/099H02](#) [M55155/109H01](#) [M55155/109H02](#) [M55155/12XH05](#) [M55155/16XH02](#)